



INSTRUCTIONS 1011-K00 e

Section	1011
Effective	December 2008
Replaces	January 2006

Translation of the original instructions

PLF

Pressure Line Filter
(SLF Suction Line Filter
OCF Oil Coalescing Filter)

INSTALLATION

OPERATION

MAINTENANCE

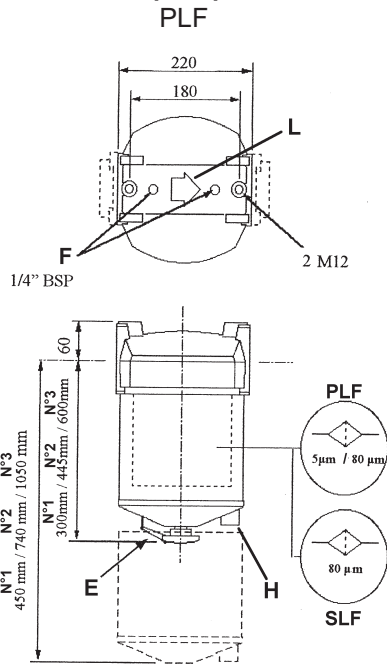


Z.I. La Plaine des Isles - F 89000 AUXERRE - FRANCE
Tel. : +33 (0)3.86.49.86.30 - Fax : +33 (0)3.86.49.87.17
contact@mouvex.com - www.mouvex.com

Your distributor :

INSTALLATION

Overall dimensions (mm)



- E Flywheel immobilisation
- F Differential pressure measurement (G1/4)
- H Drain plug (G3/4)
- L Airflow direction

Presentation

The PLF fits on to the compressor discharge pipe using G3 companion flanges; there are no other attachment elements.

The SLF and OCF filters fit on to the compressor suction pipe.

It is essential for it to be installed in a vertical position (fly-wheel downwards).

The air flows in the direction shown by the arrow engraved on the top of the filter.

Piping assembly

In order to achieve the best usage conditions, it is important to take the following recommendations into account when it comes to fitting pipes :

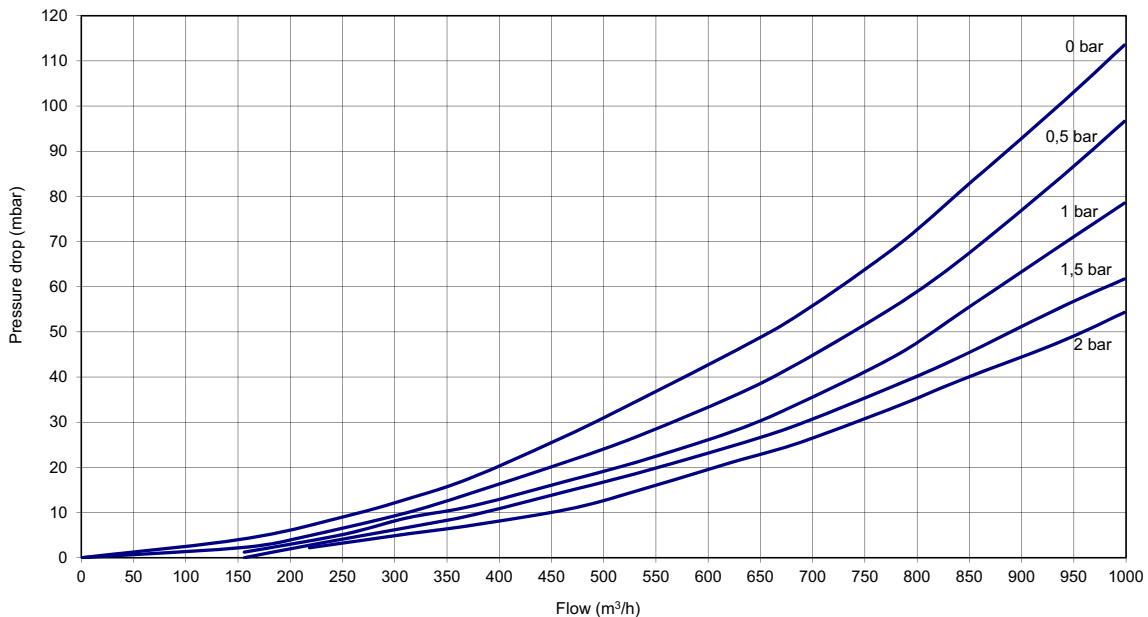
- The pipes are supported and aligned with the filter in such a way as to avoid putting stress on the filter flanges. Non-compliance with this instruction can lead to deformation of parts, even causing parts to break.
- The pipes should be designed to allow for thermal expansion/contraction (the use of flexible hoses or expansion loops is recommended).
- If the liquid may freeze or solidify, prepare for draining the piping by installing drain taps at the low points and air vents at the high points.

USE

Using the PLF makes it possible to filter at a rate of 5µm with a much reduced pressure drop.

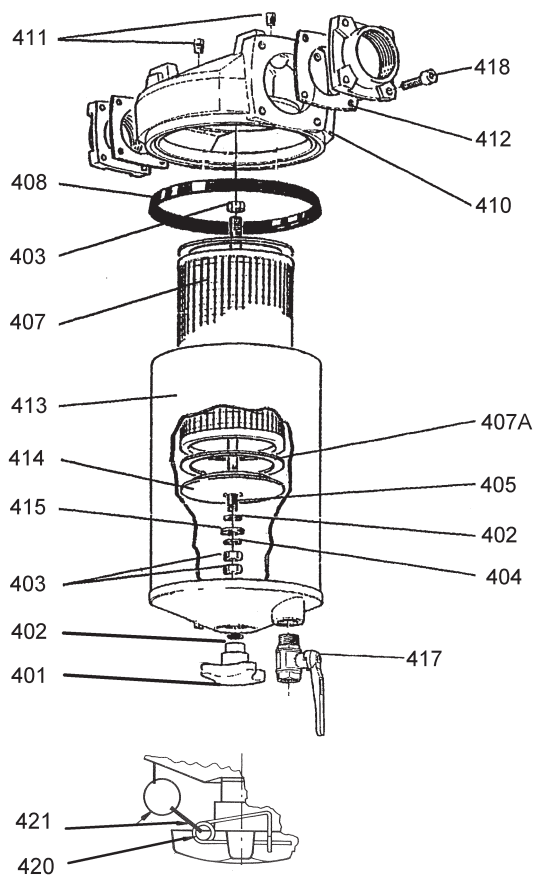
----- PLF
 ——— PLF

Pressure drop curve



Before every run, open the drain valve 417 on the SLF and the secondary cut-out to ensure all liquid is drained out.

MAINTENANCE



When used under normal operating conditions, maintenance of the PLF is simply a case of checking and cleaning the filter cartridge once a week, or more if required by the installation operating conditions.

The cartridge is cleaned by blowing compressed air from the inside of the cartridge to the outside.

IMPORTANT :

Spare cartridges must be stored in their original packaging as a guarantee of absolute cleanliness.

Dismantling

NECESSARY TOOLS : 19 Open-end spanner : 2

Dismantling the filter cartridge (the PLF (FILTREX HF) remains fitted to the pipe).

- Extract the pin **420**, unscrew the flywheel **401** and extract it together with the seal **402**.
- Completely remove the base **413**, and then seal **408**.
- Unscrew the 2 nuts **403** using a spanner and lock wrench so as not to loosen the rod **405** from the body **410**.
- Extract the washers **404-415**, the seal **402**, the cover **414** and remove the cartridge **407**. If the cartridge is badly clogged or damaged, replace it with a new one.

Reassembly

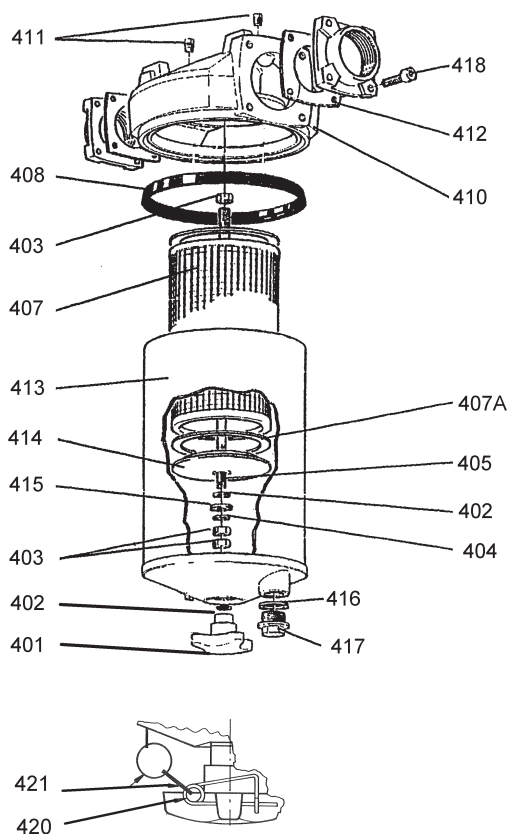
Reverse the order of the above actions when reassembling.

PLEASE PAY VERY SPECIAL ATTENTION TO:

- the condition of seals **408**, **402** and **407a** and change them where necessary.
- position the cartridge fitted with its 2 seals **407a** correctly.
- position the seals **408** carefully on the base **413** (fitted properly onto it) prior to fitting the unit (base + seal) to the body **410**.
- tighten the flywheel **401** by hand to ensure there are no leaks (never use a spanner when tightening) and immobilise it with the pin **420**.

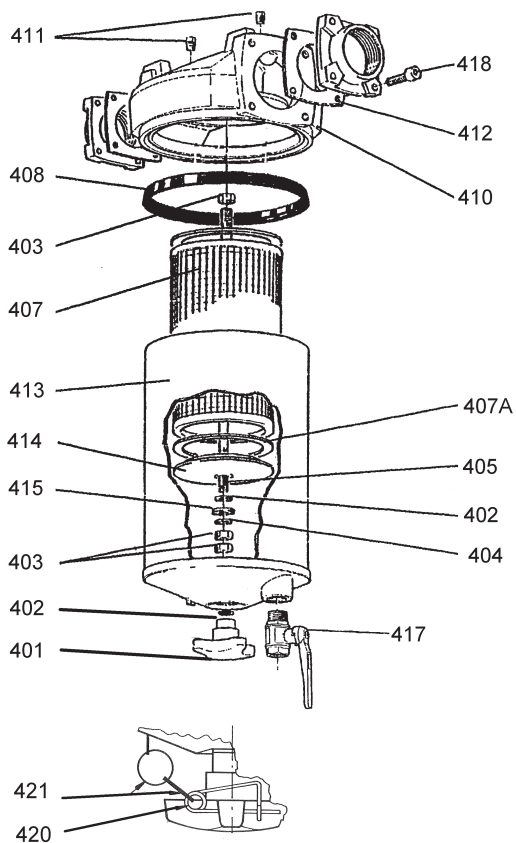
SPARE PARTS

PLF Pressure Line Filter



REF.	Nb	REF	DESIGNATION
401	1	220624	Whell
402	2	220562	Seal (see 422)
403	3	200049	Nut
404	1	217224	Spring washer
405	1	220602	Threaded rod
°407	1	220663	Reinforced HS filter cartridge n°1 5µm (+ 2x 407A)
		220664	Reinforced HS filter cartridge n°2 5µm (+ 2x 407A)
		220665	Reinforced HS filter cartridge n°3 5µm (+ 2x 407A)
		220668	Reinforced HS filter cartridge n°3 80µm (+ 2x 407A)
407A	2	221638	Cartridge seal (see 422)
408	1	220529	Seal (see 422)
410	1	220463	Body
411	2	219521	Plug
412	2	200582	Plat seal (see 422)
414	1	220622	Cartridge cover
413	1	200173	Front cover n°1
		220717	Front cover n°2
		220718	Front cover n°3
415	1	220719	Washer
416	1	219188	Seal (see 422)
417	1	220692	Plug (see 423)
418	8	200404	Screw
420	1	211196	Pin (see 424)
421	2	209643	Ring (see 424)
°422	1	313753	Set of seals (2x 407A+ 2x 412+408+ 2x 402)
°424	1	313754	Front cover attachment kit (401+420+ 2x 421)

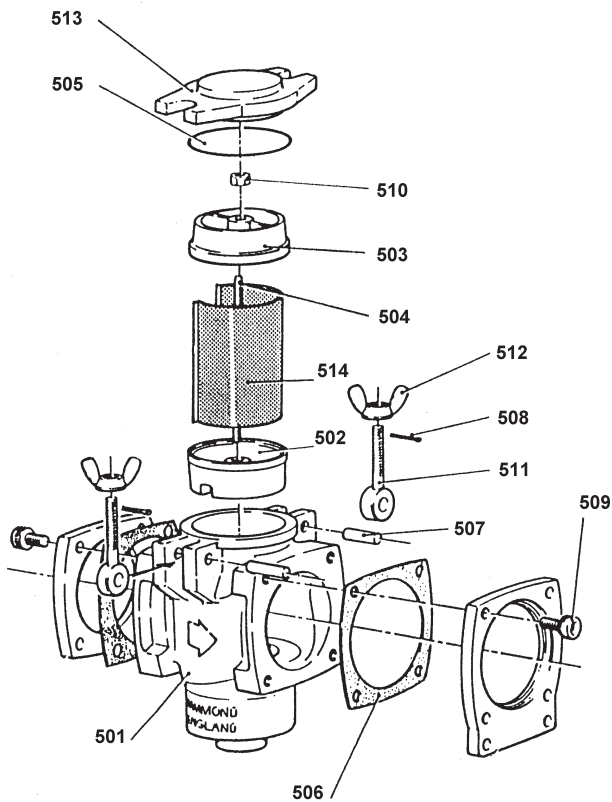
SLF Suction Line Filter OCF Oil Coalescing Filter



REP.	Nb	REF	DESIGNATION
401	1	220624	Whell (see 424)
402	2	220562	Flat seal (see 422)
403	3	200049	Nut
404	1	217224	Spring washer
405	1	220602	Threaded rod
°407	1	220667	Reinforced HS filter cartridge n°2 80µm (+ 2x 407A)
		220670	Coalescing filter cartridge n°2 (+ 2x 407A)
		220671	Coalescing filter cartridge n°3 (+ 2x 407A)
		220668	Reinforced HS filter cartridge n°3 80µm (+ 2x 407A)
407A	2	221638	Cartridge seal (see 422)
408	1	220529	Seal (see 422)
410	1	220463	Body
411	2	219521	Plug
412	2	200582	Seal (see 422)
413	1	220718	Front cover n°2
		220719	Front cover n°3
414	1	220622	Cartridge cover
415	1	200173	Washer
417	1	220691	Drain tap
418	8	220404	Screw
420	1	211196	Pin (see 424)
421	2	209643	Ring (see424)
°422	1	313753	Set of seals (2x 407A+ 2x 412+408+ 2x 402)
°424	1	313754	Front cover attachment kit (401+420+ 2x 421)

SPARE PARTS (continued)

Strainer



REF.	Nb	REF	DESIGNATION
501		220464	Body
502	1	220476	Strainer Bottom Cap
503	1	220477	Strainer Cap Element
504	1	220485	Tie shaft
505	1	220523	"O" Seal
506	2	220562	Flange Flat seal
507	2	220542	Dowel Pin
508	2	220110	Split Pin
509	8	200404	Cap Screw
510	2	213726	Nut
511	2	220577	Eye Bolt
512	2	200071	Wing Nut
513	1	220621	Cover
514	1	220662	1000µm Straining element

When ordering spare parts, please indicate :

- The REFERENCE and DESIGNATION of parts required
- The SERIAL NUMBER of the PLF (on pump plate)
- INSTRUCTIONS 1011-K00