

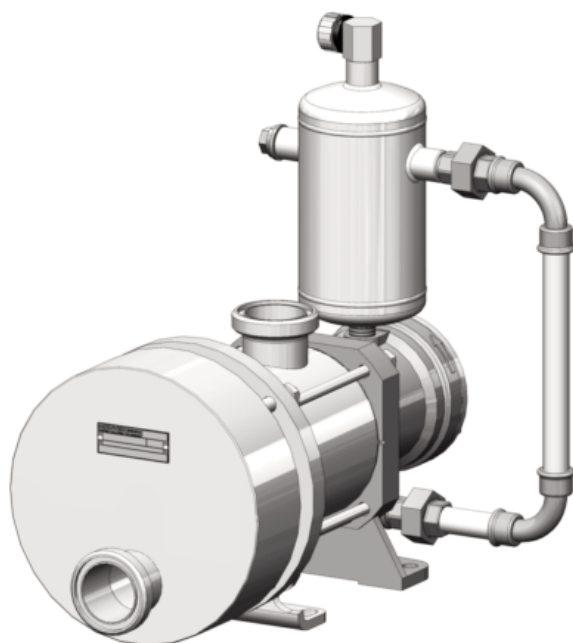


INSTRUCTIONS 1001-A00 e

Section	1001
Effective	June 2016
Replaces	March 2016

Original instructions

C4 i HT - C8 i HT PUMPS



INSTALLATION

OPERATION

MAINTENANCE



Z.I. La Plaine des Isles - F 89000 AUXERRE - FRANCE
Tel. : +33 (0)3.86.49.86.30 - Fax : +33 (0)3.86.49.87.17
contact@mouvex.com - www.mouvex.com

Your distributor :

ECCENTRIC PISTON PUMP MOUVEX PRINCIPLE

SAFETY INSTRUCTIONS, STORAGE, INSTALLATION AND MAINTENANCE C4 i HT - C8 i HT MODELS

TECHNICAL CHARACTERISTICS

- Maximum pump speed : 750 rpm
- Running temperatures :
 - ambient-15°C → + 40°C
 - continuous pumped product-15°C → +160°C
 - washing / rinsing / sterilisation product.... 0°C → +160°C
 - heating fluid (jacket)-15°C → +180°C
- Maximum suction pressure :
 - In normal use, the suction pressure must be higher than the required NPSH and **less than 1 barg** (14,5 psig).
 - During **CIP/SIP** of the pump, the suction pressure must not exceed **3 barg** (43,5 psig).
 - Pump **stopped**, the pressure must not exceed **6 barg** (87 psig).
- Acceptable maximal differential pressure :
 - C4 i HT.....9 bar (130,5 psi)*
 - C8 i HT.....5 bar (72,5 psi)*
- Maximum pressure jacket : 5 barg (72,50 psig)
- Cylinder capacity :
 - C4 i HT0,108 litre
 - C8 i HT0,178 litre

* When the pump works with an inlet gauge pressure less than zero, the maximum outlet pressure will be calculated as if the inlet pressure is equal to zero.

Definition of safety symbols

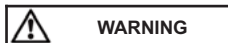


This is a SAFETY ALERT SYMBOL.

When you see this symbol on the product, or in the manual, look for one of the following signal words and be alert to the potential for personal injury, death or major property damage.



Warns of hazards that **WILL** cause serious personal injury, death or major property damage.



Warns of hazards that **CAN** cause serious personal injury, death or major property damage.



Warns of hazards that **CAN** cause personal injury or property damage.

NOTICE

Indicates special instructions which are very important and must be followed.

USED PRESSURE UNITS

Unit without suffix :

Differential pressure, for example, pressure difference between equipment suction and discharge.

Unit with suffix "a" :

Absolute pressure.

Unit with suffix "g" :

Gauge pressure, given regarding to atmospheric pressure (~101325 Pa, taken at 1 bar / 14,5 psi in this IOM).

Example :

$P_{suc} = -0,2 \text{ barg} = 0,8 \text{ bara}$

$P_{dis} = 8,8 \text{ barg} = 9,8 \text{ bara}$

$\Delta P = P_{dis} - P_{suc} = 9 \text{ bar}$

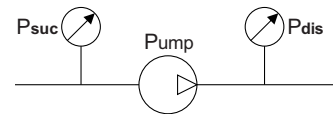


TABLE OF CONTENTS

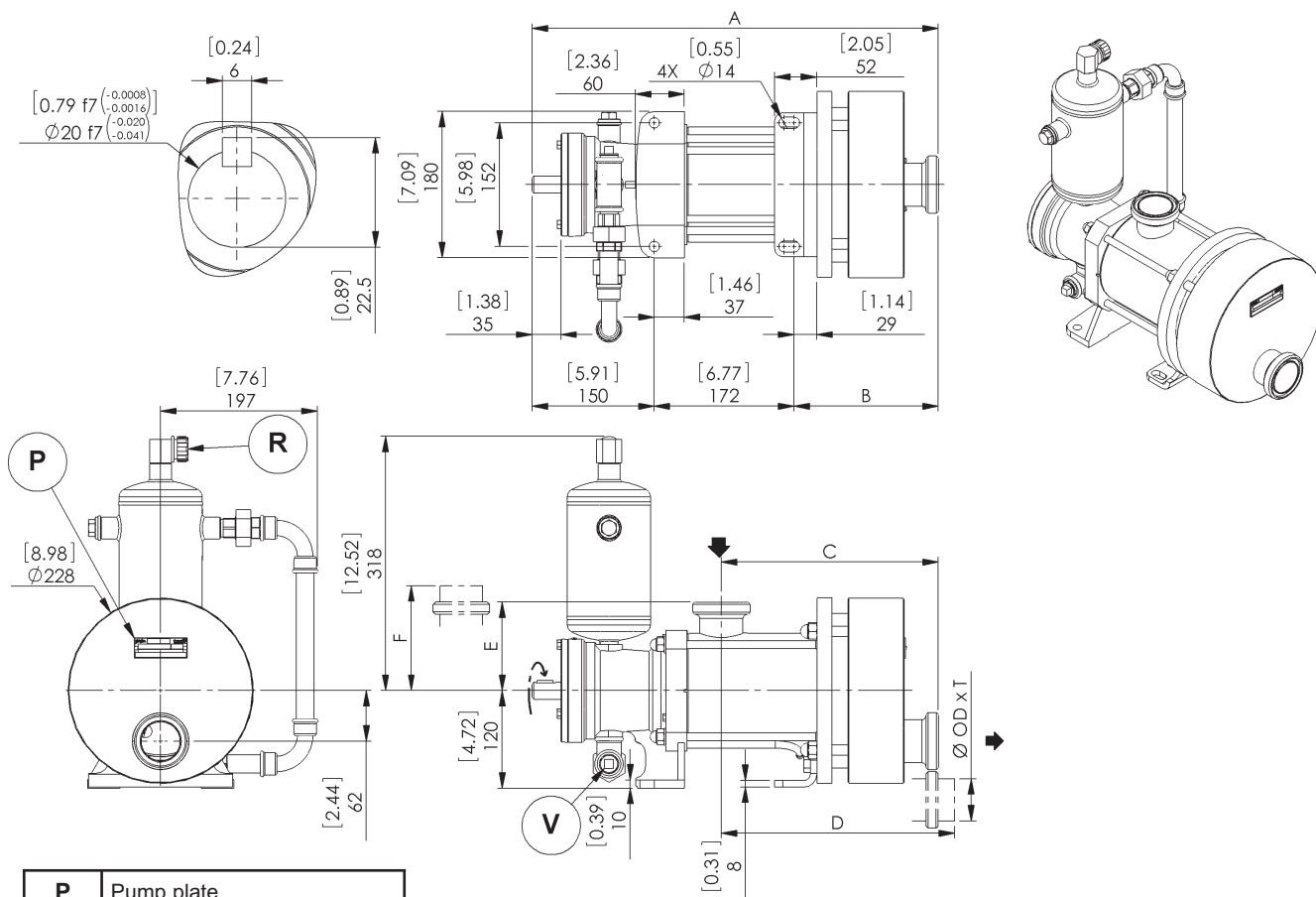
Page

1. OVERALL DIMENSIONS	3
2. INSTALLATION	6
2.1 Installation design	6
2.2 Orientation of the pump ports	7
2.3 Direction of rotation	7
2.4 Protection of the pump installation	8
2.5 Hoisting devices	8
2.6 Unit Assembly	9
3. UTILISATION	11
3.1 Noise level	11
3.2 Commissioning	11
3.3 Dry running	11
3.4 Pump stop	11
3.5 Scrapping	11
4. CLEAN IN PLACE (CIP) & STERILISATION IN PLACE (SIP)	12
4.1 General	12
4.2 CIP circuit recommended	12
4.3 Pumps arranged in series	12
4.4 Pumps arranged in parallel	13
4.5 Successive cycles	14
4.6 Sterilisation In Place (SIP)	14
5. MAINTENANCE	14
5.1 Necessary tools	14
6. OPENING OF THE PUMP	15
6.1 Assembly / Dismantling	15
6.2 Checking of parts	16
7. ASSEMBLY OF CYLINDER/PISTON	17
8. PROTECTION OF THE BELLOWS	18
9. CHANGING THE LIP SEAL	19
10. CHANGING THE ORIENTATION OF THE PORTS	20
10.1 Discharge port	20
10.2 Suction port	20
11. DRAINING OF BEARING	21
12. STORAGE	22
12.1 Short duration (≤ 1 month)	22
12.2 Long duration (> 1 month)	22
12.3 Restarting	22
13. CERTIFICATE OF CONFORMITY	23

1. OVERALL DIMENSIONS

C4 i HT - C8 i HT

with connections



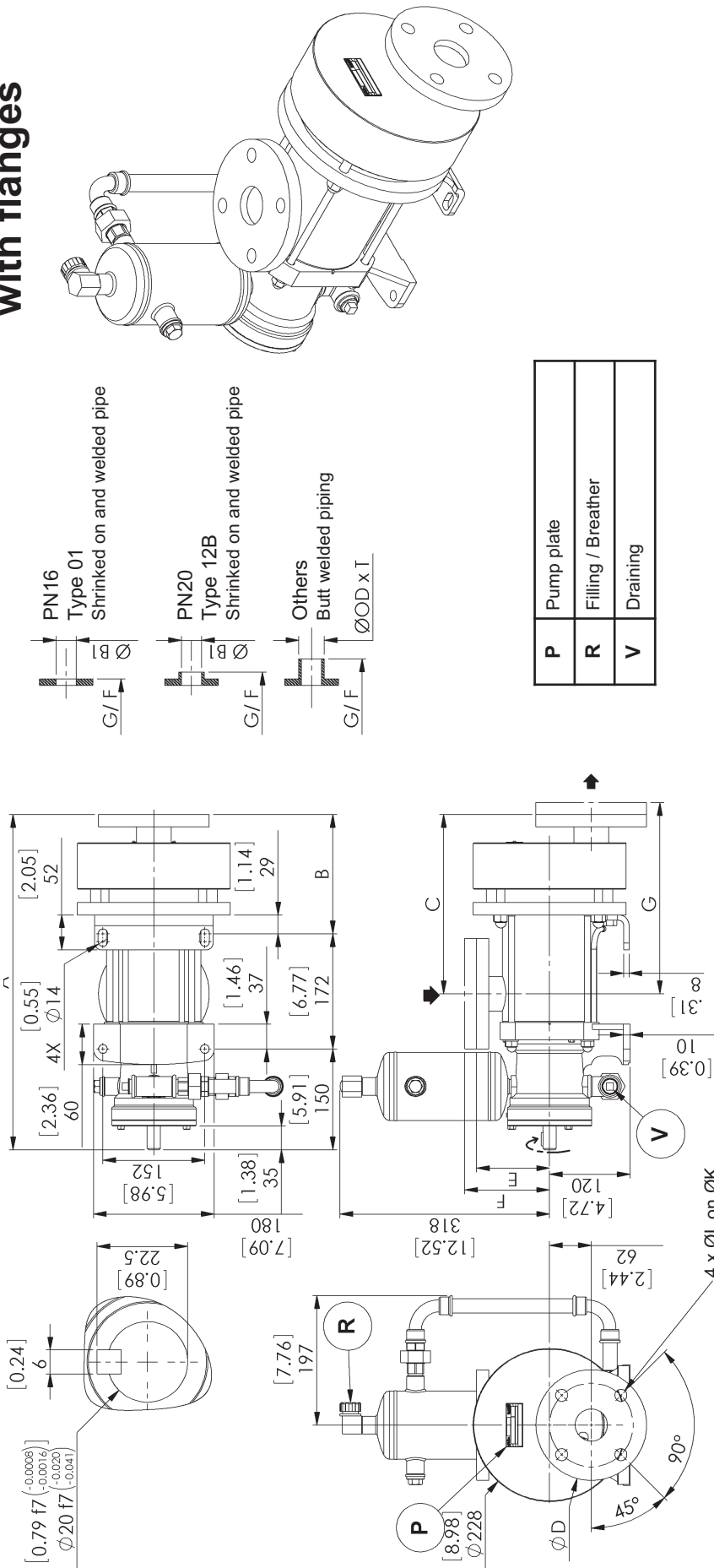
P	Pump plate
R	Filling / Breather
V	Draining

Connections

		DN	A	B	C	D	E	F	OD x T	Weight kg [lb]
SMS 1145	C4 i HT	51 [2,008]	499,5 [19,665]	177,5 [6,988]	267 [10,512]	287 [11,299]	109 [4,291]	129 [5,079]	51 x 1,25 [2,008 x 0,049]	48,5 [107]
	C8 i HT	51 [2,008]	516,5 [20,335]	194,5 [7,657]	284 [11,181]	304 [11,969]	109 [4,291]	129 [5,079]	51 x 1,25 [2,008 x 0,049]	49,5 [110]
Clamp (ISO 2852)	C4 i HT	51 [2,008]	499,5 [19,665]	177,5 [6,988]	267 [10,512]	287 [11,299]	109 [4,291]	129 [5,079]	51,6 x 1,5 [2,031 x 0,059]	46,5 [103]
	C8 i HT	51 [2,008]	516,5 [20,335]	194,5 [7,657]	284 [11,181]	304 [11,969]	109 [4,291]	129 [5,079]	51,6 x 1,5 [2,031 x 0,059]	49,5 [110]
DIN 11851	C4 i HT	50 [1,969]	499,5 [19,665]	177,5 [6,988]	267 [10,512]	287 [11,299]	109 [4,291]	129 [5,079]	55 x 2,5 [2,165 x 0,098]	46,5 [103]
	C8 i HT	50 [1,969]	516,5 [20,335]	194,5 [7,657]	284 [11,181]	304 [11,969]	109 [4,291]	129 [5,079]	55 x 2,5 [2,165 x 0,098]	49,5 [110]
Smooth pipe*	C4 i HT	51 [2,008]	489,5 [19,272]	167,5 [6,594]	257 [10,118]	-	99 [3,898]	-	52 x 2 [2,047 x 0,079]	48,5 [107]
	C8 i HT	51 [2,008]	506,5 [19,941]	184,5 [7,264]	274 [10,787]	-	99 [3,898]	-	52 x 2 [2,047 x 0,079]	49,5 [110]

*CAUTION : When welding the connections, the bellows should be protected.

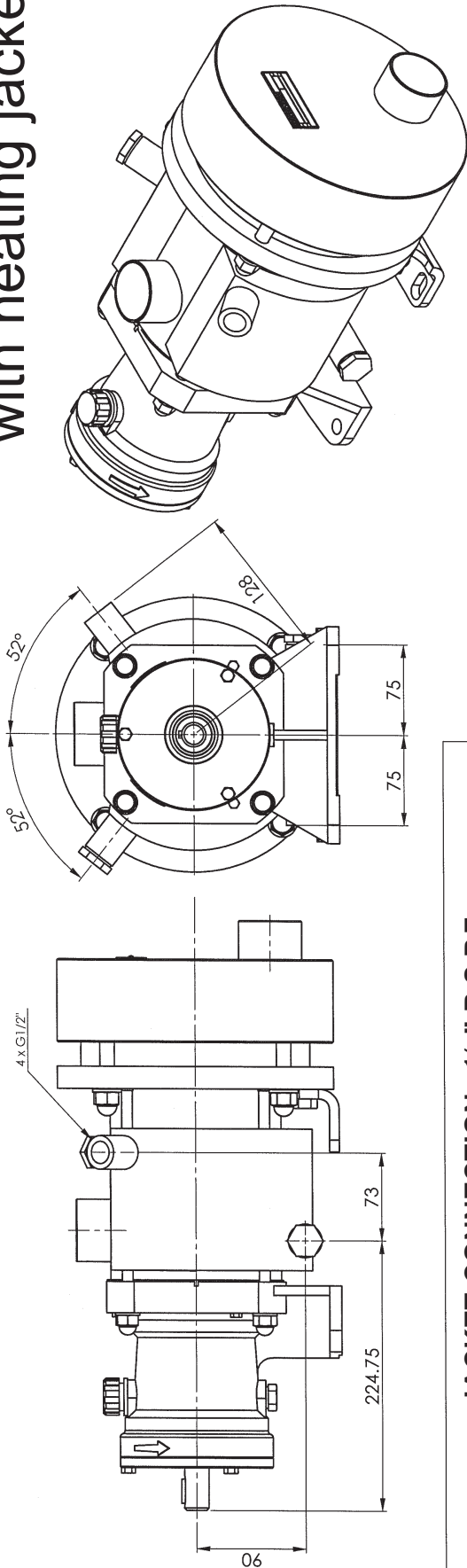
C4 i HT - C8 i HT with flanges



		Flanges														
		DN	A	B	C	ØD	E	F	G	ØL	ØK	ØB1	Weight kg [lb]			
PN16 (ISO 7005-1)	C4 i HT	50	499,5	177,5	267	165	109	129	287	18	125	61,5	48,5			
	C8 i HT	50	516,5	194,5	284	165	109	129	304	18	125	61,5	49			
PN20 (ISO 7005-1)	C4 i HT	50	499,5	177,5	267	150	109	134	292	18	120,5	62	48,5			
	C8 i HT	50	516,5	194,5	284	150	109	134	309	18	120,5	62	49			

1. OVERALL DIMENSIONS (continued)

C4 i HT - C8 i HT with heating jacket



1. OVERALL DIMENSIONS (continued)

NOTICE :

For the other sides, see the specific overall dimension plan for the connection.


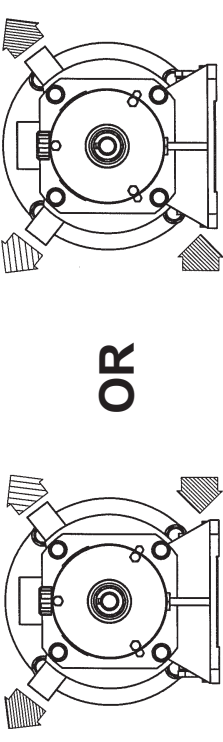
Maximum jacket temperature : FKM and FEP encapsulated FKM seals : 180°C

CAUTION :

The pumped product must not exceed the temperature of 160°C.

On jacketed pumps, suction port can only be in position 2 (top). Positions 1 and 3 (sides) are not possible.

FOR ATEX PUMPS, SEE INSTRUCTIONS NR 1050.

STEAM	 <p>JACKET CONNECTION 1/2" B.S.P.F</p> <p style="font-size: 2em; font-weight: bold;">OR</p>
LIQUID	 <p style="font-size: 2em; font-weight: bold;">OR</p> <p>The entry connection may be connected to one or two points.</p> <p>The outlet connection may be connected to one or two points. If it is done at 1 point, purge the air at the second point.</p>

2. INSTALLATION

POSSIBLE POSITIONS Pumps with heating jacket : see § OVERALL DIMENSIONS - Heating jacket					STANDARD
SUCTION	 1	 2	 3	 4	 2
DISCHARGE	 1	 2	 3	 4	 4

2.1 Installation design

2.1.1 Pump

To obtain the service expected from a MOUVEX pump, regarding both performance and longevity, it is vital that the type of pump, its speed and the materials used for its construction are determined as a function of the pump output, its installation and operating conditions.

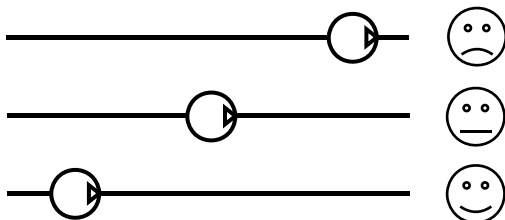
You can contact our Technical Services at any time to ask for the information you require.

2.1.2 Pipe

- Not recommended
- To be avoided if possible
- Recommended

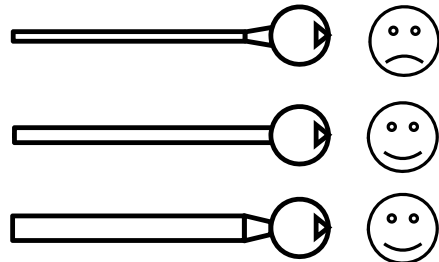
Suction pipe length

Length should be as short as possible.



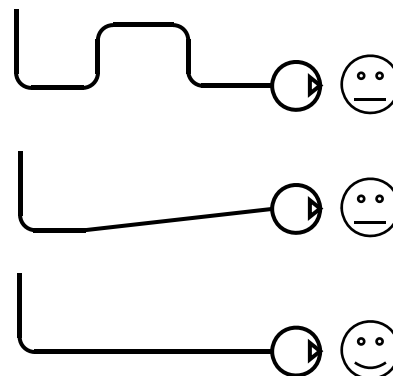
Suction pipe diameter

Diameter must be at least equal to pump port diameter and even more if required by pumping conditions.

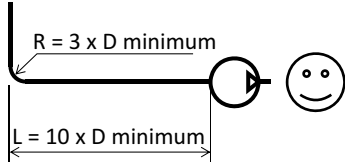
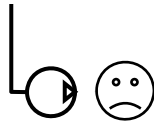


Suction pipe configuration

Check tightness to avoid accidental air intake.

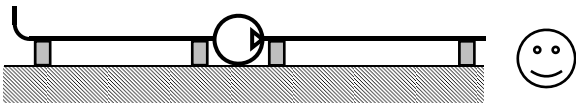
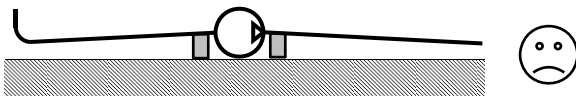
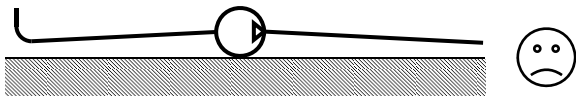


2. INSTALLATION (continued)



Pipe alignment and supporting

Pump must not support piping nor endure stress resulting from piping weight or dilatation effects. For latters, expansion loops should be included.

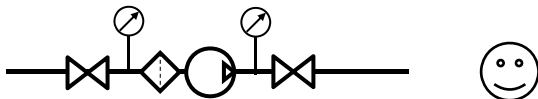


Pipe equipment

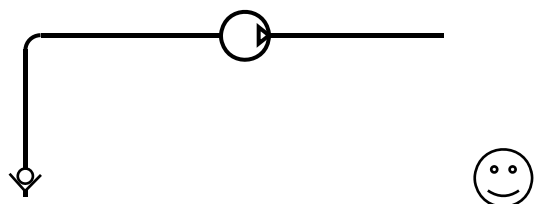
- Place valves close to the pump to avoid draining pipe during maintenance operations. Preferably select full bore ball or butterfly valves.

Pressure connections on pump suction and discharge are recommended for settings and controls.

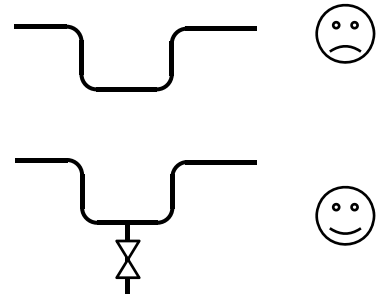
Make sure piping, vessels valves and other installation devices are carefully cleaned before mounting.



- MOUVEX pumps are self priming. However, if line emptying should be avoided and/or if suction lift is high, a foot valve can be added.



- If pumped liquid presents a risk of in pipe solidification and potential dilatation, low points on the pipe should be avoided or equipped with drain valve.



- If installation is heated, it must be designed so that fluid dilatation can evacuate through piping. Therefore fluid contained in piping must be heated before fluid contained in the pump. Also check that a heated pump is not isolated by closed valves.

The C Series pump is a selfpriming volumetric PD pump. Therefore, the pump must not run on a circuit with a closed valve. This is valid both for the suction circuit and for the discharge circuit.

2.2 Orientation of the pump ports

The suction and discharge ports may be oriented in various positions.

If the ports positions needs to be changed at any time, see the corresponding paragraph.

NOTICE

C-Series pumps remains drainable whatever position is chosen for the inlet port, but the outlet port must be at the bottom (position 4) to keep the self-draining capability.

2.3 Direction of rotation

When looking at the shaft, the rotation will be clockwise. When looking at the front cover, the direction of rotation will be anti-clockwise. An arrow situated on the bearing housing indicates the correct direction of rotation.

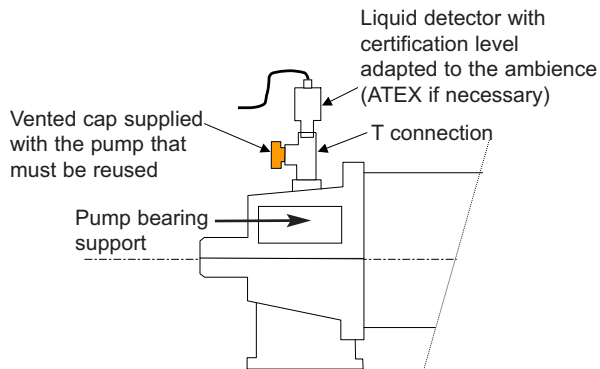


Verification of the correct rotation direction :
Turn the pump the wrong way is not dangerous for the pump.

2. INSTALLATION (continued)

2.4 Protection of the pump installation



- Before any start-up, during operation or complete stopping of the pump, make sure the valves are open.
- During stop periods, with the pump full of product, either the suction or discharge circuit must be left open to enable expansion or contraction of the pumped product through reheating or cooling. If this instruction is not complied with, the bellows may be damaged and lead to pre-mate failure.
- In case of flooded suction, it is possible to install a liquid detector on the transmission breather.







- The bearing must be ventilate at all times, therefore the breather mounted on the bearing must be re-used. Never put the plug on.
- This detector will enable the user to be informed in the case of failure of the bellows. In the case of detection, the installer must make sure the pump is stopped and the isolating valves are closed. Non compliance with this instruction can lead to the pumped product being spilt outside the pump.
- The stop time may lead to cooling of the product in the pump and therefore to an increase in viscosity. If this is the case, we recommend re-starting the pump at a speed adapted to this new viscosity (starting pump). Once the product arrives in the pump at the installation definition temperature, the pump may run at the speed specified for this application.
- Protection against excess pressure :

The pump must be protected against excess pressure. It can be delivered with a pressure switch to carry out this function.

If protection is provided by a control valve, check that the system does not generate excess pressure at the bellows (particularly if there are water hammers). Operating in this way would damage the bellows and shorten their lifetime.

 WARNING	<p>INCORRECT SETTINGS OF THE PRESSURE RELIEF VALVE CAN CAUSE PUMP COMPONENT FAILURE, PERSONAL INJURY, AND PROPERTY DAMAGE.</p>
 Hazardous pressure can cause personal injury or property damage.	

 WARNING	<p>FAILURE TO INSTALL ADEQUATELY SIZED PRESSURE RELIEF VALVE(S) CAN CAUSE PROPERTY DAMAGE, PERSONAL INJURY OR DEATH.</p>
 Hazardous pressure can cause personal injury or property damage.	

 WARNING	<p>PUMPS OPERATING AGAINST A CLOSED VALVE CAN CAUSE SYSTEM FAILURE, PERSONAL INJURY AND PROPERTY DAMAGE.</p>
 Hazardous pressure can cause personal injury or property damage.	

- Protection against foreign bodies :

The pump and the installation must also be protected against any risk of damage through the passage of foreign bodies by mounting a pre-filter at the pump suction.

In the case of foreseeable clogging of the pre-filter, we recommend using a vacuum switch to inform the user of pre-filter clogging. Prolonged running under cavitation may damage the pump.

The largest dimensions of the allowable particles in the pump are :

- Soft particles :6,5 mm
- Hard particles :2,0 mm

2.5 Hoisting devices

Hoisting points :







2. INSTALLATION (continued)

2.6 Unit Assembly

The following instructions apply to pumps delivered with a bare shaft or for MOUVEX motor-driven pump units (if the latter have no specific instruction notice).

2.6.1 INSTALLATION OF UNITS

 WARNING	<p>BE CAREFUL WITH THE WEIGHT OF THE PARTS WHEN THEY ARE BEING REMOVED.</p>
	
<p>The weight of the parts can be dangerous and may provoke bodily injuries or material damages.</p>	

 WARNING	<p>DISCONNECT THE ELECTRICITY SUPPLY BEFORE ANY MAINTENANCE OPERATION.</p>
	
<p>Dangerous voltage. Can cause injury and death.</p>	

The base below the unit is fundamental to ensuring correct operation and long service life.

The unit's base must be flat, level and sufficiently resistant to absorb the stresses caused by the motor-driven pump unit without deformation (if it is made of concrete, it must comply with the BAEL 91 standard).



If the unit is fastened using securing lugs or bolts, it must be carefully wedged to avoid deforming the frame while the bolts are tightened. A deformed frame would apply damaging stresses on the pump and the drive mechanism and misalign the coupling, causing vibrations, noise and premature wear. Ensure that the frame is well above the floor, except from the support plates.



If the unit is to be used in a food environment, support plates that allow the unit to be lifted for easier cleaning are recommended.

Allow, if possible, a clear space of approximately 50 cm on each side of the motor-driven pump unit (overall dimensions) to facilitate cleaning and give access if necessary to the pump, reduction gear and motor fastening nuts. In all cases, the dimensions around the motor-driven pump unit must be designed to give the space required for dismantling the pump (if the need arises, use the values given on the overall dimension drawing).

For staff and equipment protection, the frame includes a ground connection point that should be used.

2.6.2 ALIGNMENT OF THE MOTOR/PUMP OR REDUCTION GEAR/PUMP SHAFTS

 WARNING	<p>IF OPERATED WITHOUT THE SHAFT GUARD, THERE IS CONSIDERABLE RISK OF SEVERE PERSONAL INJURY, SIGNIFICANT PROPERTY DAMAGE OR EVEN DEATH.</p>
	
<p>Do not operate without guard in place.</p>	

 WARNING	<p>DISCONNECT THE ELECTRICITY SUPPLY BEFORE ANY MAINTENANCE OPERATION.</p>
	
<p>Dangerous voltage. Can cause injury and death.</p>	

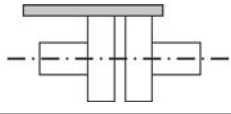
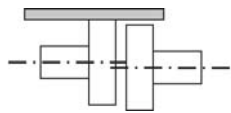
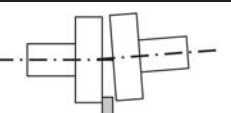
NEVER START A UNIT IF THE COUPLING ALIGNMENT IS INCORRECT. THIS IS A CONDITION OF OUR GUARANTEE.

REMINDER :

Coupling must never be used to compensate for a misalignment.

To control the alignment between the coupling and the shaft, use a straight-edge for concentricity and thickness gauges for angular misalignment (see instructions of the coupling for authorised values).

The 3 figures below show in detail the operation and the possible defects :

<p><i>Make this check for 4 points: up - down - left - right</i></p>	
	<p><i>Correct</i></p>
	<p><i>Out-of-parallelism</i></p>
	<p><i>Angular defect</i></p>

2. INSTALLATION (continued)



Controlling the alignment at each stage of the installation is important to be sure that none of these stages have generated stresses on the unit or the pump :

- after fastening on the foundations.
- after fastening the pipes.
- after the pump has been operated at the normal operating temperature.

Where the pumps are supplied assembled as a unit, the motor and pump shafts have been perfectly aligned in the factory before delivery, but they must be systematically controlled on acceptance at the site and realigned if necessary.

To do this, do not modify the wedging of the various parts, but check the flatness of the support surface and use the adjustable foot to clear the frame of stresses that could affect it.

2.6.3 ELECTIC MOTORS



 WARNING	
	
Dangerous voltage. Can cause injury and death.	
DISCONNECT THE ELECTRICITY SUPPLY BEFORE ANY MAINTENANCE OPERATION.	

Check the compatibility of the instructions on the motor with the supply voltage.

Follow the wiring diagram, use wiring that is appropriate for the power and be particularly careful about the contacts which must be well tightened.

The motors should be protected with circuit breakers and suitable fuses. Connect the regulatory electrical grounding.



2.6.4 THERMIC MOTORS



 CAUTION	
	
Excessive temperature can cause injury or severe damage.	
THE SURFACES CAN BE AT A TEMPERATURE LIABLE TO CAUSE INJURY OR SEVERE DAMAGE.	



Do not forget that these motors are not reversible. It is absolutely necessary to carefully control the suction and discharge sides of the pump before connecting the group to the piping.

Using electric motors is very common now; however, we strongly advise careful reading of the accompanying instruction manual.

2.6.5 CONTROL OF THE SENSE OF ROTATION

 WARNING	
	
Any unforeseen start-up can cause serious injuries or important material damages.	
TAKE ALL NECESSARY MEASURES TO RENDER ANY START-UP, EVEN ACCI- DENTAL, OF THE PUMP DURING THE WORK IMPOSSIBLE.	

 WARNING	
	
Hazardous pressure can cause personal injury or property damage.	
IT IS IMPERATIVE THAT THE HYDRAU- LIC PRESSURE IS RELEASED BEFORE EACH MAINTENANCE OPERATION TO AVOID PERSONAL INJURY OR MATERIAL DAMAGE	

 WARNING	
	
Do not operate without guard in place.	
IF OPERATED WITHOUT THE SHAFT GUARD, THERE IS CONSIDERABLE RISK OF SEVERE PERSONAL INJURY, SIGNIFI- CANT PROPERTY DAMAGE OR EVEN DEATH.	

This control needs to be done with no liquid pumped through the pump, and both the suction and discharge circuits venting to avoid generating unexpected pressure (at the suction side, for example). This will ensure that the control will not damage either the pump or the installation.

Start the pump empty to check that the connections are good and that the direction of rotation corresponds to the suction and discharge direction on the installation. If it is necessary to reverse the direction of rotation, follow the instructions below :

Three-phase motor : switch any 2 current input wires.

Bi-phase motor : switch two same phase wires.

Single-phase motor : follow the instructions on the notice supplied with the motor.

3. UTILISATION

3.1 Noise level

The sound level of a pump is greatly influenced by its conditions of use. Cavitation and pumping products with high gas contents generally increases the sound level.

Under the following pumping conditions :

- excluding cavitation
- discharge pressure :
 - C4 : 9 bar (130,5 psi)
 - C8 : 5 bar (72,52 psi)
- speed of rotation 750 rpm
- product viscosity of 1 cSt

The sound level reached for the C4 / C8 pump in good conditions without the drive is less than 79 dB(A).

3.2 Commissioning

Make sure that the circuit valves are open before starting the pump.

To avoid any risk of polluting the product to be pumped, rinse the whole installation before starting-up so as to eliminate any contaminants that may remain in the piping, tanks etc. at the time of installation.

For any pure water pumping during process or cleaning operations, consult Mouvex imperatively.

3.3 Dry running

The C series pump is self priming and is capable of emptying the pipes. To do this, it can run dry for a maximum duration of 5 minutes.

3.4 Pump stop

So as not to damage the pump, make sure that the pump is completely stopped before closing the valves.

3.5 Scrapping

The pump must be scrapped in compliance with the regulations in force.

During this operation, particular care must be paid to the drainage stages of the pump (pumped product) and of its transmission (lubricant).

4. CLEAN IN PLACE (CIP) & STERILISATION IN PLACE (SIP)

4.1 General

On-site cleaning (CIP) of an installation is undertaken by circulating various cleaning solutions through the equipment parts.

An automated CIP system enables :

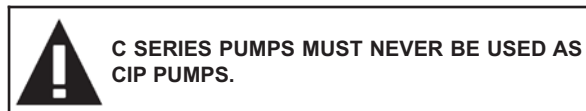
- Preparation of the appropriate concentrations for the different cleaning solutions.
- Re-heating of certain cleaning solutions at the optimum temperature.
- Circulation of the different solutions through the equipment parts to be cleaned.
- Rinsing and drying of the equipment parts.

For the most part, automated CIP systems are an integral part of process equipments.

Before starting CIP and if the process has not been followed by a water flush, care must be taken that a minimum of residual products remains in the piping and in the pump. The C Series pumps, thanks to their excellent suction and compression capabilities, enable reducing the quantities of residual products. This minimises loss of products, eases cleaning and reduces cycle times.

The C Series pumps are perfectly adapted to all processes necessitating CIP. C-Series pumps are 3-A marked units and have been successfully tested for in-place cleanability according to EHEDG document n°2. By complying with the installation rules described above, these pumps will give you entire satisfaction for a long time.

The start of CIP must immediately follow the end of the process to avoid any clogging or untimely drying.



Non-compliance with this instruction may lead to rapid wear of cylinder and piston.

4.2 CIP circuit recommended

In all cases, the pressure at the pump inlet during cleaning must not exceed 3 barg (43,50 psig).

The flow through the pump required for optimal cleaning is **10 m³/h**.

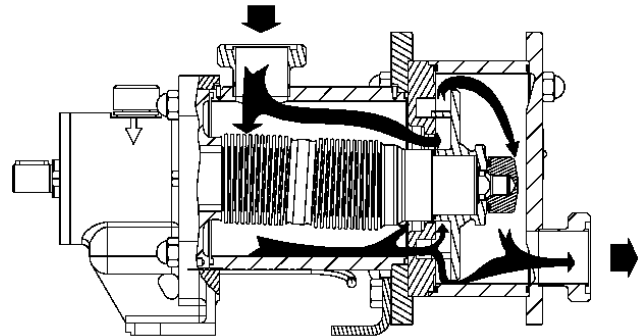
This flow corresponds to difficult cleaning (sticky and viscous products). It can be reduced for easier types of cleaning.

The pressure required to raise the piston, for the version with standard axial springs, is 0,7 bar (10,40 psi) and 1,2 bar (17,40 psi) for the strong axial spring version. This pressure difference is accounted for by the pressure losses.

4.3 Pumps arranged in series

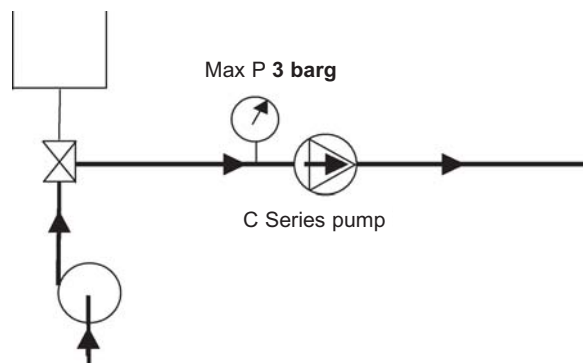
This type of assembly is preferred in all cases. It ensures optimal cleaning for the pump and makes use of the special design of the C Series, i.e. the possibility of lifting the piston with the cleaning product.

As the pressure at the pump inlet is higher than that at its outlet, the piston lifts from the cylinder and permits the passage of all the cleaning liquid through the C Series pump.



- A centrifuge pump is used for CIP cycles. This pump is placed upstream of the C Series pump.

The centrifuge pump must be installed in series with the C Series pump.

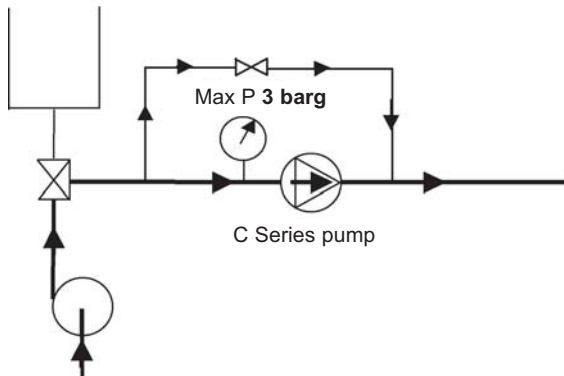


It is preferable not to run the C Series pump during CIP although low speed (< 100 rpm) is acceptable by alternating start/stop operation.

- In certain cases, the flow of the cleaning liquid required for the installation is higher than that recommended for cleaning the pump. In this case, a bypass must be used.

The bypass valve is adjusted to divide the flow between the circuit flowing through the C Series pump and the bypass circuit.

4. CLEAN IN PLACE (CIP) & STERILISATION IN PLACE (SIP) (continued)

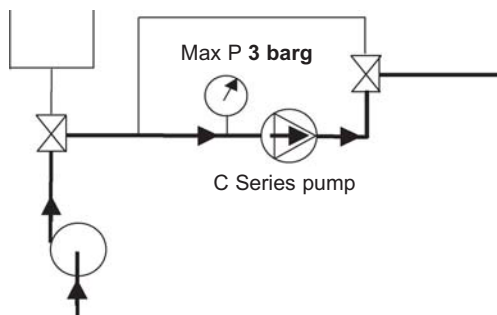


It is preferable not to run the C Series pump during CIP, although low speed (< 100 rpm) is acceptable by alternating start/stop operation.

- In certain cases, the cleaning pressure required for the installation is higher than 3 barg (43,5 psig). In this case, the use of a bypass is required and cleaning is done in 2 steps.

Cleaning the pump :

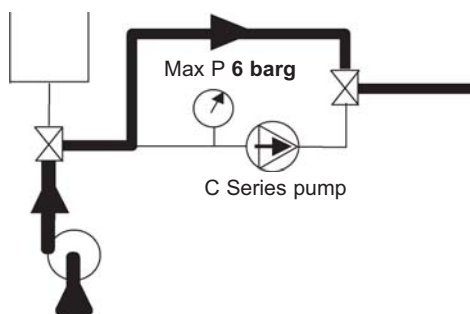
The cleaning flow should be limited during the cleaning of the C pump to ensure a maximum pressure of 3 barg (43,5 psig) at the C pump inlet.



It is preferable not to run the C Series pump during CIP although low speed (< 100 rpm) is acceptable by alternating start/stop operation.

Cleaning the installation :

During this operation, the valve system used must ensure that no flow can pass through the pump so that the C Series pump does not rotate. Under these conditions, with the pump completely stopped, the pressure of the washing circuit can rise up to 6 barg (87 psig).

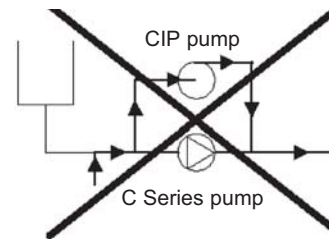


The pump must not run during this operation.

4.4 Pumps arranged in parallel

For applications where cleaning is easy and the differential pressure of, the C Series pump is lower than 2 bar (29 psi) during this operation, assembly in parallel is authorised. It should be noted that during cleaning, the C Series pump will be acting on a product with generally few lubricating properties. This will contribute towards wear of the pump.

The CIP centrifuge pump must never be installed in parallel with a C Series pump without taking special precautions.



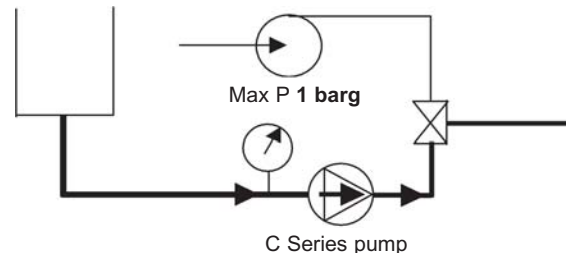
Indeed, in this case, the pressure at the inlet of the C Series pump is lower than the pressure at the discharge and the piston remains forced against the cylinder. Therefore, there the C Series pump no longer provides a passage. Its efficient cleaning can no longer be ensured and the cylinder/piston pair will become prematurely worn.

Authorised assembly :

As mentioned previously for applications where cleaning is easy, assembly in parallel is authorised when the valves are installed so that the cleaning pressure of the circuit does not come into contact with the C Series pump.

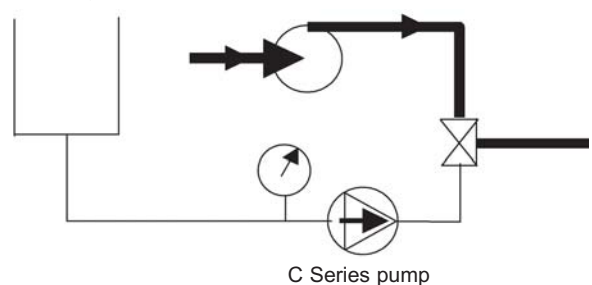
In this case, the C Series pump cleans itself.

Cleaning the pump :



We recommend limiting the rotation speed of the C Series pump.

Cleaning the installation :



The C Series pump is stopped when cleaning the installation.

4. CLEAN IN PLACE (CIP) & STERILISATION IN PLACE (SIP) (continued)

4.5 Successive cycles

Generally, the most efficient CIPs comprise 5 stages :

1. Pre-washing with clean water

Water at room temperature, 10 to 15 minute cycle. This pre-wash enables evacuation of the remaining residues.

2. Washing with an alkaline detergent

Typically this is soda at 2,5% at a temperature of 80°C. 20 to 30 minute cycle. This wash particularly enables dissolving and evacuating grease and proteins.

3. Rinsing with clean water

Water at room temperature. 10 minute cycle. This rinse enables avoiding the mixture of 2 cleaning solutions.

4. Washing with an acid solution

Typically this is nitric acid at 2,5% at room temperature. 10 to 15 minute cycle. This wash particularly enables dissolving and evacuating proteins and inorganic salts.

5. Rinsing with clean water

Water at room temperature. Several 1 to 2 minute cycles. These rinses enable evacuating all traces of acid solution.

During all these CIP stages, the average speeds of the cleaning liquids in the pipes must be between 1,5 and 3 m/s.

4.6 Sterilisation In Place (SIP)

The serie C pumps are perfectly adapted to all processes using SIP (Sterilisation In Place) : pump stopped / maximum 30 min per cycle / 1 or 2 cycles per day.

5. MAINTENANCE



5.1 Necessary tools



- 16 - 19 Socket wrench
- 24 Open-end spanner
- Hub puller
- 50 Open-end spanner or Monkey wrench



Tightened torques :



- M10 : 30 Nm
- M12 : 50 Nm
- M18 : 120 Nm



6. OPENING OF THE PUMP



 WARNING	
	
Any unforeseen start-up can cause serious injuries or important material damages.	
TAKE ALL NECESSARY MEASURES TO RENDER ANY START-UP, EVEN ACCIDENTAL, OF THE PUMP DURING THE WORK IMPOSSIBLE.	

 WARNING	
	
Hazardous pressure can cause personal injury or property damage.	
DISCONNECTING THE FLUID OR PRESSURE CONTAINMENT COMPONENTS DURING PUMP OPERATION CAN CAUSE SERIOUS PERSONAL INJURY, DEATH OR MAJOR PROPERTY DAMAGE.	

 WARNING	
	
Hazardous pressure can cause personal injury or property damage.	
FAILURE TO RELIEVE THE SYSTEM PRESSURE PRIOR TO PERFORMING ANY WORK ON THE PUMP OR THE INSTALLATION CAN CAUSE PERSONAL INJURY OR PROPERTY DAMAGE.	

 WARNING	
	
Hazardous or toxic fluids can cause serious injury.	
IF PUMPING HAZARDOUS OR TOXIC FLUIDS, THE SYSTEM MUST BE FLUSHED PRIOR TO PERFORMING ANY SERVICE OPERATION.	

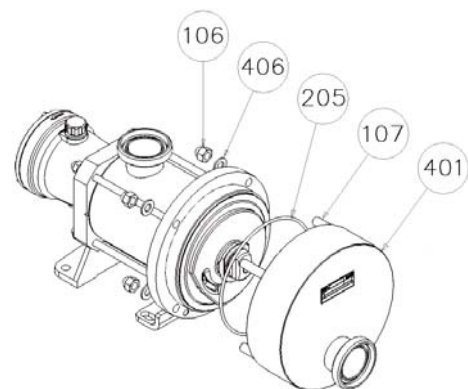
 WARNING	
	
The weight of the parts can be dangerous and may provoke bodily injuries or material damages.	
BE CAREFUL WITH THE WEIGHT OF THE PARTS WHEN THEY ARE BEING REMOVED.	

 CAUTION	
	
Slippery lubricant. Spills should be cleaned up.	
THE PUMP LUBRICANT IS VERY SLIPPERY AND MAY CAUSE SERIOUS INJURY. ANY SPILLS MUST BE CLEANED UP.	

6.1 Assembly / Dismantling

Before any dismantling, make sure that the pump has been drained and take the necessary measures to avoid starting-up. No start-up, even accidental, must be allowed.

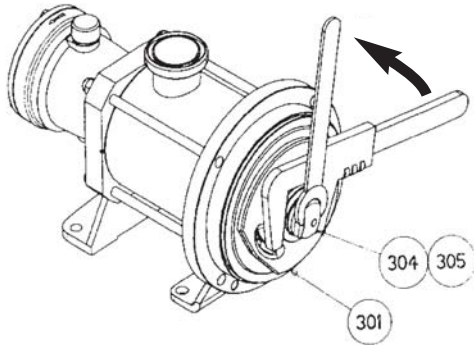
- Disconnect the pump from the discharge pipe.
- Unscrew the 4 nuts **106** and remove the 4 washers **406**.
- Remove the front cover **401** and its seal **205**.



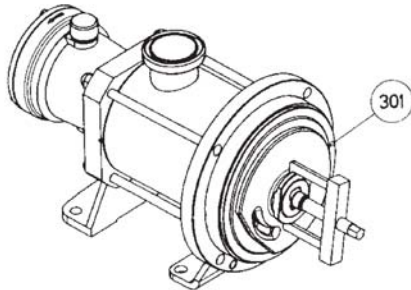
6. OPENING OF THE PUMP (continued)

- Hold the piston **301** with a 50 Open-end spanner or a monkey wrench and unscrew the nut **304** and its seal **305**.

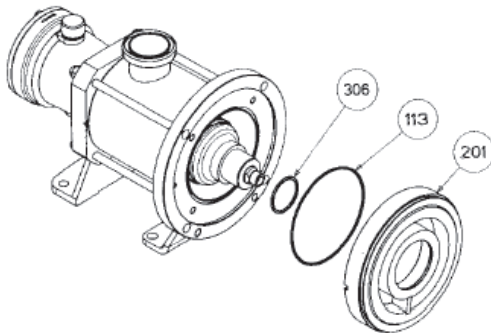
It is important to keep a good grip on the piston, its rotation could lead to deterioration of the bellows.



- With the help of a hub puller, extract the piston **301**.



- Remove the cylinder **201** and the seals **113** and **306**.



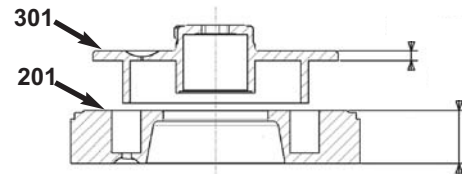
6.2 Checking of parts

The piston **301** and the cylinder **201** are active parts efficiency directly depends. It is therefore advisable to regularly check the pump's efficiency and replace the cylinder / piston if it decreases.

In addition, as using a cylinder / piston that is too worn may damage the pump's transmission system, it is advisable to replace the cylinder / piston if the maximum acceptable wear dimensions defined in the table below are reached.

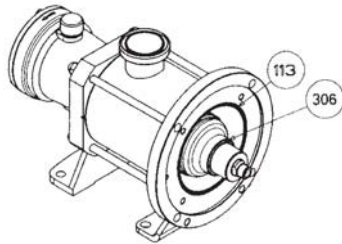
		Piston 301 mm (inch)	Cylinder 201 mm (inch)
C4	New dimension	7 (0,276)	32 (1,260)
	Minimum wear dimension acceptable	5 (0,197)	30 (1,181)
C8	New dimension	7 (0,276)	49 (1,929)
	Minimum wear dimension acceptable	5 (0,197)	47 (1,850)

As changes in the pump's efficiency depend on the conditions of use (pressure, rotation speed, liquid pumped, etc.), MOUVEX recommends that users define the monitoring ranges and the preventive maintenance schedule according to their own experience.

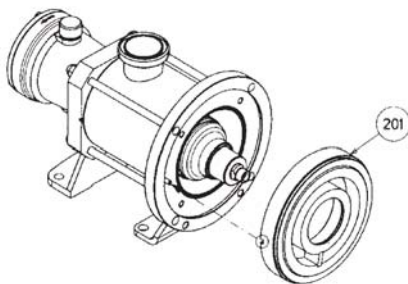


7. ASSEMBLY OF CYLINDER/PISTON

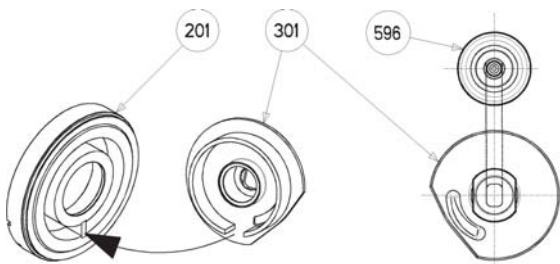
- Check the state of the seals **205**, **305**, **306**, **113** and replace them if necessary.
- Position the seal **113** on the large flange and the seal **306** on the hub.



- Position the cylinder **201** such that the locating pin fits into the notch of the back of the cylinder.

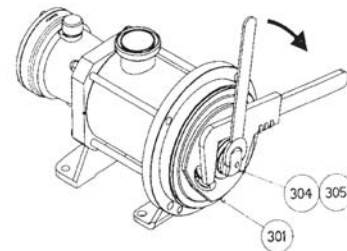
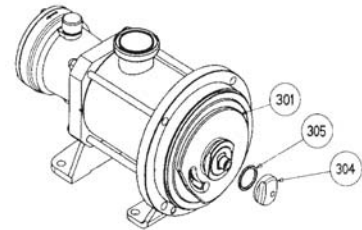


- Engage the piston **301** on the transmission hub **596**, the gap of the piston facing the cylinder partition.
- Give a small push to the piston to centre it and engage it in the cylinder, then push it tight to the end while ensuring the oblong hole of the piston is engaged on the 2 flats of the end of the transmission hub **596**.

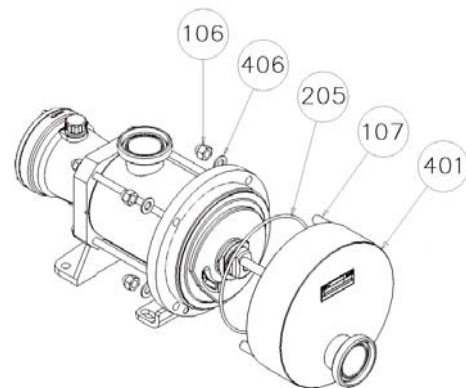


- Place thread locking adhesive (Loctite® 243* or equivalent) on the thread of the transmission hub **596**.
- Hold the piston **301** with a 50 Open-end spanner or a monkey wrench and screw-up the nut **304** after mounting the seal **305** on to the rear face.

It is important to keep a good grip on the piston, its rotation could lead to deterioration of the bellows. When tightening the nut, comply with the assembly torque of 120 Nm.



- Re-mount the front cover **401** with its seal **205** while positioning the outlet port desired.





- Position the rods **107** and the washers **406**. Then screw up the 4 nuts **106** (4 x M12 assembly torque 50 Nm).

	WARNING
	BE CAREFUL WITH THE WEIGHT OF THE PARTS WHEN THEY ARE BEING REMOVED.
<p>The weight of the parts can be dangerous and may provoke bodily injuries or material damages.</p>	

* Loctite® is a registered trademark.

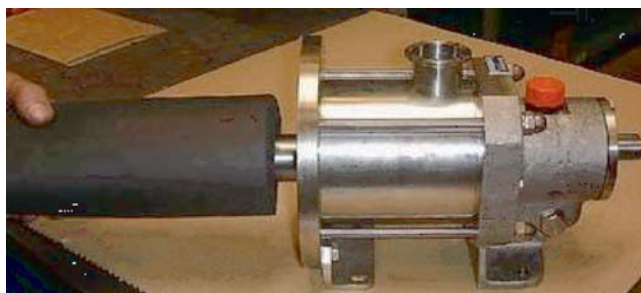
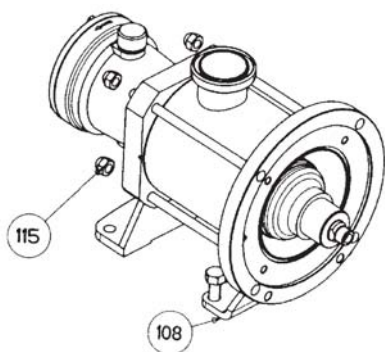
8. PROTECTION OF THE BELLOWS

 WARNING	BE CAREFUL WITH THE WEIGHT OF THE PARTS WHEN THEY ARE BEING REMOVED.
	
<p>The weight of the parts can be dangerous and may provoke bodily injuries or material damages.</p>	

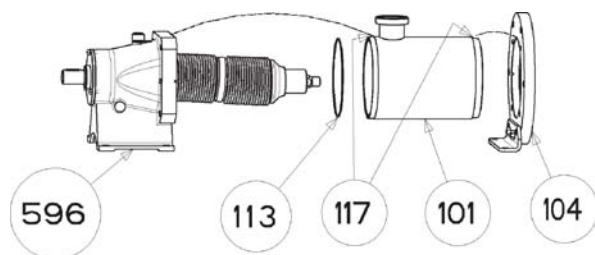
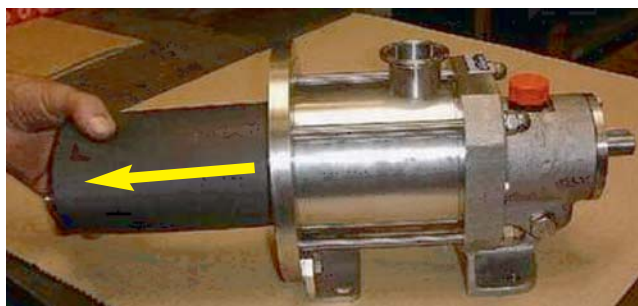
The spare transmissions delivered are equipped with a tubular foam protection. We advise leaving this protection around the bellows until remounting of the piston and cylinder.

	DO NOT FORGET TO REMOVE THE PROTECTION BEFORE MOUNTING THE CYLINDER.
---	---

- Dismantle the cylinder/piston couple (see corresponding §).
- Remove the 2 fixing screws from the base frame of the lug **108**.
- On the drive side, remove the 4 nuts **115**.



- With the help of a mallet, lightly tap the large flange **104** to free the tube **101** from the transmission hub **596**.
- Remove the tube **101** while taking care of impact.
- Remove the seal **113**.
- Inspect the bellows : any impact, scratch or distortion necessitates its replacement.





- Assembly is undertaken in the reverse order of dismantling, taking care to correctly position the seal **113** and the 2 indexing pins **117**. The nuts **115** must be re-mounted with thread locking adhesive (Loctite® 243* or equivalent) :

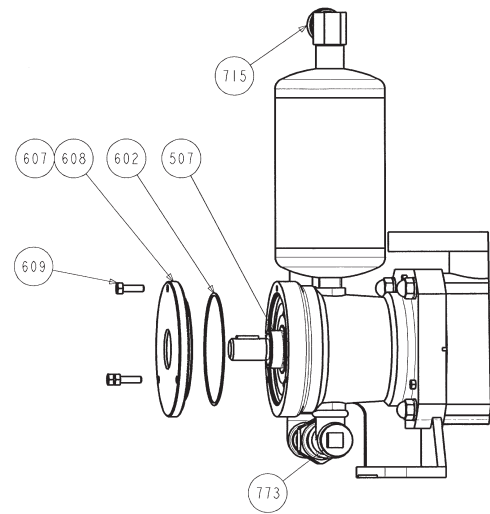
4 x M10 : Assembly torque 30 Nm.

* Loctite® is a registered trademark.

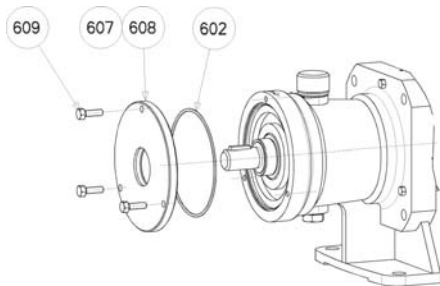
9. CHANGING THE LIP SEAL

 CAUTION	<p>THE PUMP LUBRICANT IS VERY SLIPPERY AND MAY CAUSE SERIOUS INJURY. ANY SPILLS MUST BE CLEANED UP.</p>
	
<p>Slippery lubricant. Spills should be cleaned up.</p>	

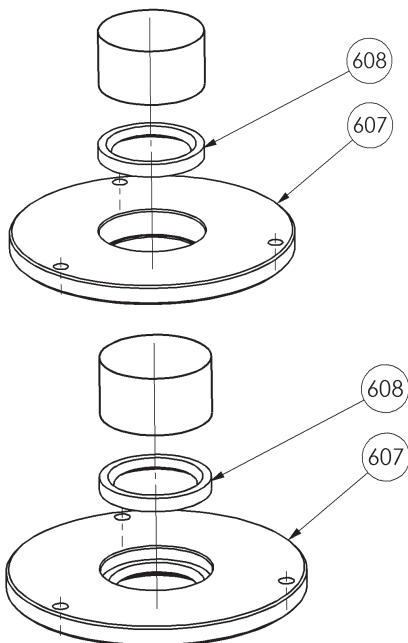
- After replacing the drain plug, fill the bearing with 2 litres of oil* (see § DRAINING OF BEARING).
- Screw back the breather **715**.




- Drain the pump bearing (see corresponding §).
- Unscrew the 3 screws **609**.
- Remove the cover **607** and the seal **602**.



- Extract the 2 lip seals **608**.
- Fit , one by one, 2 new seals **608**, on the same side, lip directed towards the interior of the transmission.





- If the seal face is marked, change the ring **507**. Break the ring with a chisel then fit a new ring after heating it at 95°C (in an oil bath or at HF).
- Re-mount the cover **607** after placing the seal **602**, greasing the lips of the seals and greasing between the 2 seals **608**.

	<p>FOOD SYNTHETIC GREASE : Compulsory reference because compatible with the standard MOUVEX bearing oil.</p>
---	---

* Standard oil provided by MOUVEX : CS05 Food synthetic oil (Safety data sheet is supplied on inquiry).

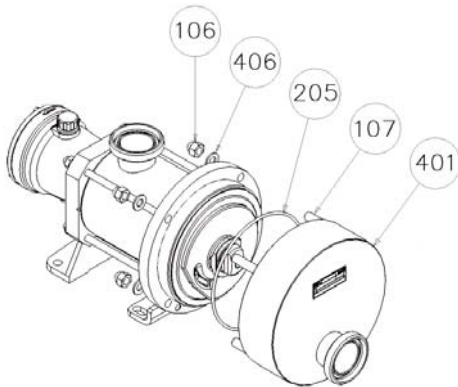
* Other oil provided by customer.

10. CHANGING THE ORIENTATION OF THE PORTS

 WARNING	
	BE CAREFUL WITH THE WEIGHT OF THE PARTS WHEN THEY ARE BEING REMOVED.
The weight of the parts can be dangerous and may provoke bodily injuries or material damages.	

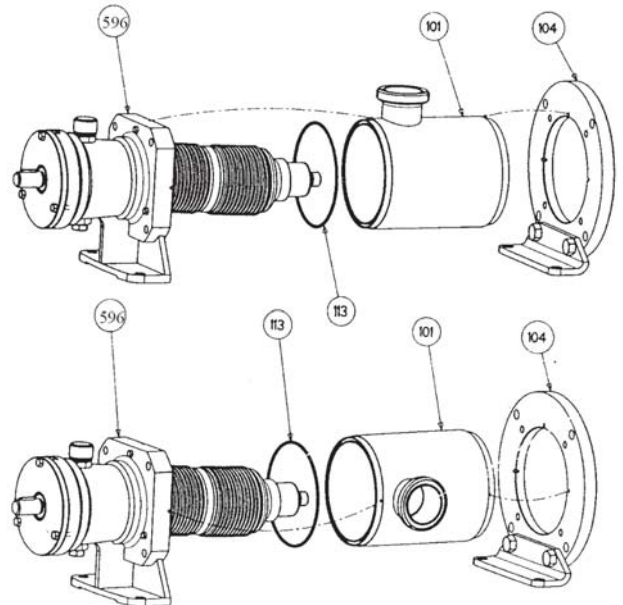
10.1 Discharge port

- Unscrew the 4 nuts **106** and remove the 4 washers **406**.
- Turn the front cover **401** so as to position the outlet port in the desired position.
- Replace the 4 washers **406** and tighten the 4 nuts **106**.
- Make sure that the seal **205** is secured in its housing. Secure it with a grease that is compatible with the transferred product if necessary.





10.2 Suction port

- Dismantle the main body **101** including the suction port as indicated in the corresponding §.
- Re-mount the main body **101** in the desired position by fitting the indexing pins in the housings provided in the bearing **596** and the flange **104**.
- Make sure that the seal **113** is secured in its housing. Secure it with a grease that is compatible with the transferred product if necessary.



11. DRAINING OF BEARING

 CAUTION	<p>THE PUMP LUBRICANT IS VERY SLIPPERY AND MAY CAUSE SERIOUS INJURY. ANY SPILLS MUST BE CLEANED UP.</p>
	
<p>Slippery lubricant. Spills should be cleaned up.</p>	

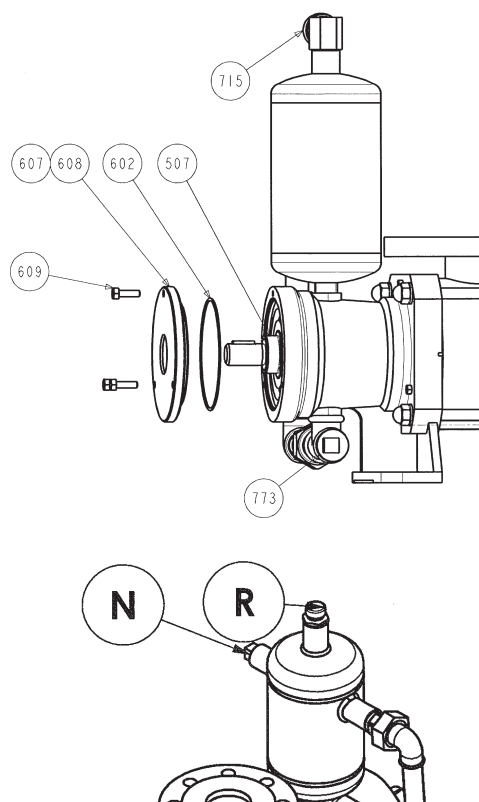
- Drain the transmission following the board below :

- **Data with standard MOUVEX oil :**

Temperature of product pumped / heating product	Draining interval (running hours)
150 °C < T ≤ 160 °C	800
135 °C < T ≤ 150 °C	1 500
120 °C < T ≤ 135 °C	3 000
100 °C < T ≤ 120 °C	6 000
80 °C < T ≤ 100 °C	12 000
T ≤ 80 °C	24 000

- **Data with other customer oil :** the drawing interval is defined by the customer (tests results) regarding the oil specifications and the pump conditions.

- Drain the pump by removing the drain plug with its seal **773-774** and the breather **715**.
- Replace the drain plug and its seal.
- Fill the transmission with 2 litres of oil*.
- Check that oil level reaches plug **N**.
- Screw back the breather **715**.





* Standard oil provided by MOUVEX : CS05 Food synthetic oil (Safety data sheet is supplied on inquiry).

* Other oil provided by customer.

12. STORAGE

If necessary, refer to § MAINTENANCE for pump disassembly.

12.1 Short duration (≤ 1 month)

 WARNING	
	IF PUMPING HAZARDOUS OR TOXIC FLUIDS, THE SYSTEM MUST BE FLUSHED PRIOR TO PERFORMING ANY SERVICE OPERATION.
Toxic or hazardous fluids can cause serious injury.	

MOUVEX pumps and motor-driven pumps are well lubricated when delivered to protect the internal parts during brief storage in a building where :

- the temperature remains between 10°C and 50°C.
- the relative humidity does not exceed 60%.
- exposure to vibration is limited.
- pump is stored in an area sheltered from bad weather and sun.

12.2 Long duration (> 1 month)

The recommendations from the manufacturer should be followed if the pump is stored with its gear motor.

Pump ports should be filled with a non-corrosive liquid that it compatible with the pump components in order to prevent corrosion.

Unpainted external surfaces of the pump (e.g. shafts, couplings, etc.) should be covered in some form of anti-corrosion protection.

If storage was made after a period of operation, the transmission oil must be replaced before storage (see § DRAINING).

The transmission will be filled with oil at breather level (see § DRAINING).

If pump storage lasted more than one year, the oil should be replaced in time to prevent an excessive degradation of its qualities.

The best storage conditions are inside a building that meets the conditions set out above.

If inside storage is not possible, the materials should be covered to prevent direct exposure to sun and bad weather. This protection should also prevent condensation.

The pump should be turned a few revolutions manually every two months.

12.3 Restarting

Follow the standard start-up procedure for the pump/motor-driven pump, as well as the instructions below.

Turn the pump by hand to make sure the parts move freely.

If the storage duration has exceeded one year, replace the oil transmission (see § DRAINING for removal instructions).

If the pump has a safety bypass, remove it and inspect the parts and make sure they move freely.

In all cases, the oil should be replaced after more than two years after its commissioning.

