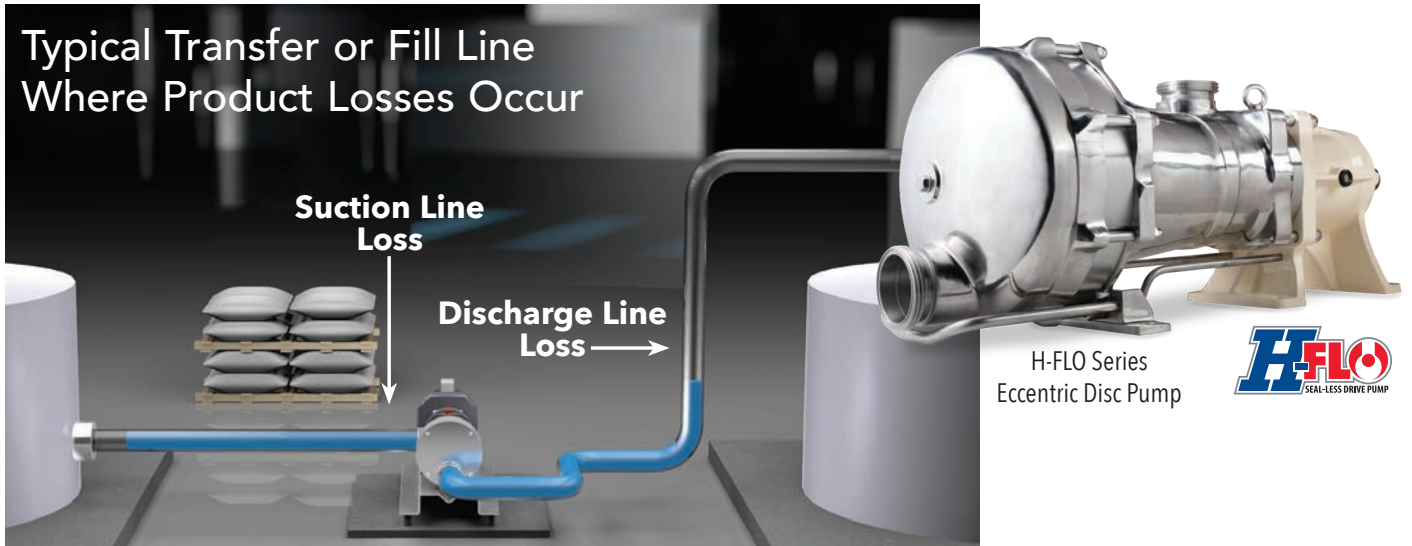


Now is the time to install Mouvex Seal-less Eccentric Disc Pumps to minimize product waste and dramatically improve production yield.



## Calculate Your Savings

### ☐ Suction and Discharge Line Losses

with Mouvex's product recovery capabilities on both suction (self priming) and discharge (compressor effect) capability:

Table 1

Size		Volume	
OD inch	OD mm	Gallon/Foot	Liters/Meter
1.0	25	0.03	0.38
1.5	38	0.08	0.95
2.0	51	0.14	1.77
2.5	63	0.23	2.85
3.0	76	0.34	4.17

**Estimated Product Cost\*** per gallon or liter = \_\_\_\_\_

\* Ideally to include sale value and disposal cost

Inlet / Suction Line	
Length of Inlet Tube	
Volume (Multiply from Table 1)	
% Nominal Recovery* 95%	
Cost (Volume x % x Cost/Unit)	

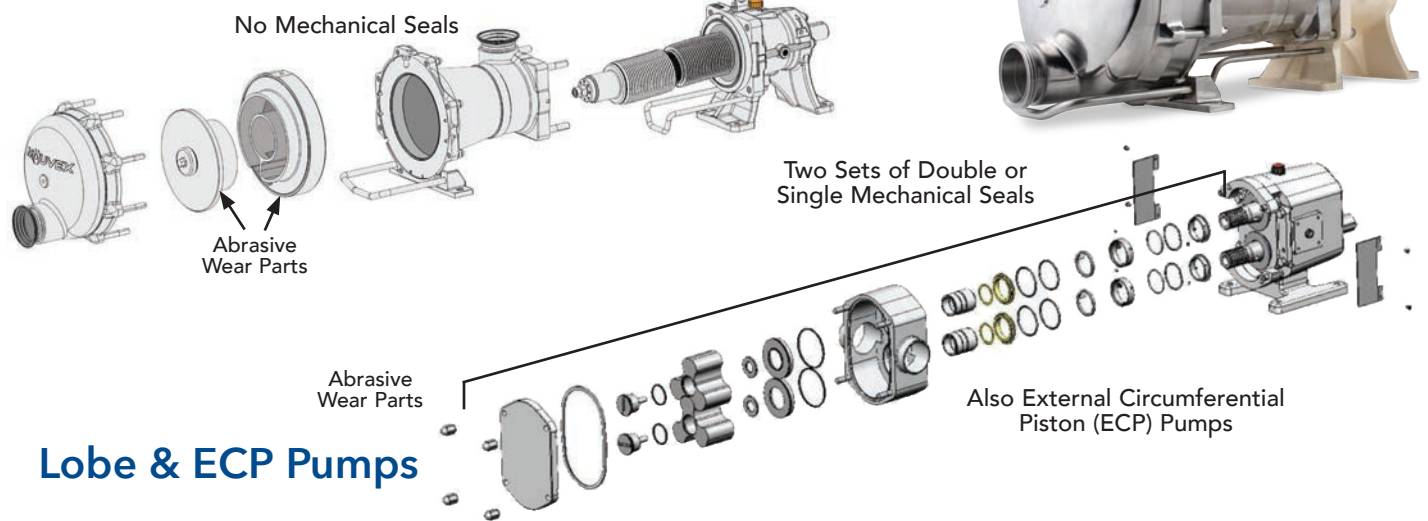
\*Typical recovery on suction is 90-98%+

Discharge Line	
Length of Outlet Tube	
Volume (Multiply from Table 1)	
% Nominal Recovery* 80%	
Cost (Volume x % x Cost/Unit)	

\*Typical recovery on discharge 50%-90%+

+  $\frac{\text{_____}}{\text{time}} \times \text{_____} \frac{\text{times}}{\text{year}} = \text{€/\$} \text{_____} / \text{year}$

## Mouvex Principle



## Lobe & ECP Pumps

**Seal Replacement Costs:** \_\_\_\_\_ times per year x \_\_\_\_\_ /seal set = \_\_\_\_\_  
(typical 800-1.700 € / USD \$1,000-\$2000+ per set)  
 Mouvex seal-less design will assist with difficult to seal applications

**Seal Water Flush Costs:** \_\_\_\_\_ volume/hour x €/\$ \_\_\_\_\_ /volume x \_\_\_\_\_ hours/year = \_\_\_\_\_  
(volume is liters or gallons) (typical 8-17.000 € / USD \$10K-20K/year in per pump)  
 Mouvex seal-less design does not require/use water or other flush

**Pump Rebuild Cost:** \_\_\_\_\_ times per year x \_\_\_\_\_ cost = \_\_\_\_\_  
Mouvex replaces some pumps that have to be rebuilt as much as twice per year at 70% the cost of new.  
 For Mouvex, the cover/casing are not wear items. Disc/cylinder are auto adjusting for wear.

**Power Consumed:** \_\_\_\_\_ extra kW x €/\$ \_\_\_\_\_ kW/hr \_\_\_\_\_ hours/year = \_\_\_\_\_  
(For typical low viscosity applications, Mouvex uses 0.2kW to 1.5kW+ less power for applications that produce slip with lobe or ECP pumps) (1 hp = 0.75 kW)  
 Because of essentially no slip, Mouvex power is not wasted.

**Summary:** Subtotal Reduction in Cost of Ownership = \_\_\_\_\_  
 Subtract Rebuild of Mouvex \_\_\_\_\_ - 70% rebuild cost/years until rebuild = \_\_\_\_\_  
**Estimate Net Value of Pump Upgrade to Organization = \_\_\_\_\_**

Caution: Average values are noted from field applications; these values are not contractual and must be determined for specific situation. The assurance in that the savings will provide faster than normal payback.

MX-10005-F-03-A4

Copyright 2021 PSG®, a Dover company

Authorized PSG® Partner:

Where Innovation Flows



PSG  
 ZI la Plaine des Isles • 2 rue des Caillottes  
 F-89000 Auxerre, France  
 P: +33 (0) 3 86 49 86 30  
 contact.mouvex@psgdover.com  
[psgdover.com/mouvex](http://psgdover.com/mouvex)