








The MX12

Performance Towards Excellence

Advantages:

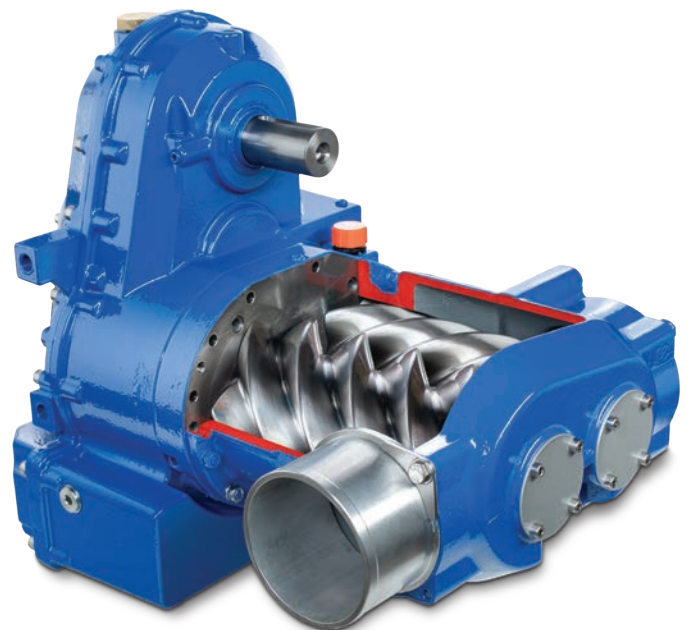
-  The lightest compressor on the market in its category – 110 kg (242 lbs)
-  Modular design: Easy to repair, modify, or upgrade
-  Compact design with the reliability of the Mouvex® Typhon II
-  Cardan angle reduction
-  Compatible with 6x2 trucks, considering an intra-frame assembly
-  Reduced fuel consumption (lower inlet speed)
-  Quiet Operation – Reliably high air pressures with no vibration for reduced noise levels
-  Flow rate up to 1,130 m³/h

Applications:

- Plastics
- Gravel
- Animal Food
- Cereals
- Lime

Mouvex® MX12 Screw Compressor

The Excellent Solution for
Mounting Inside the Truck Frame

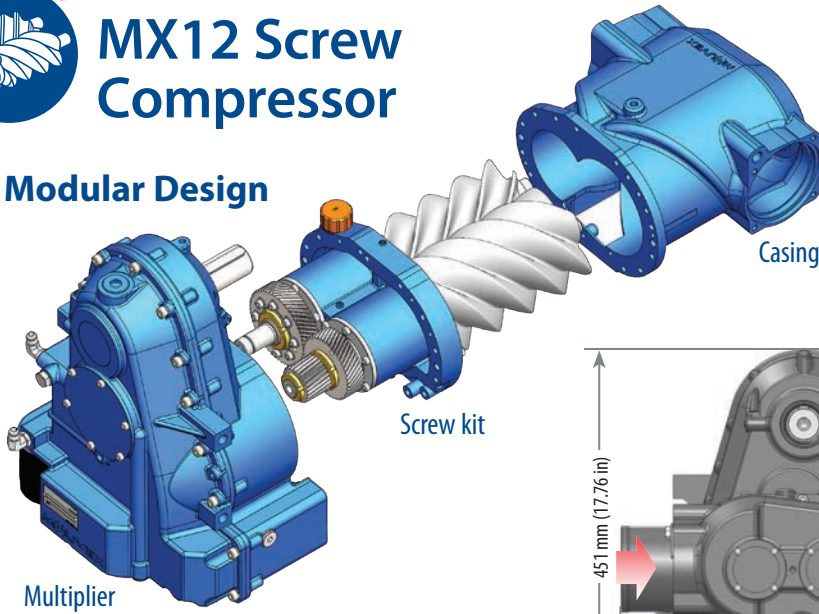


mx12»

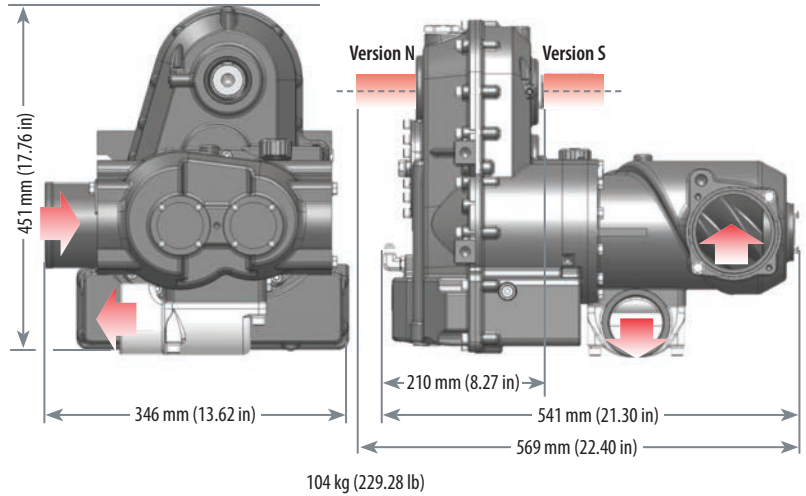


MX12 Screw Compressor

Modular Design

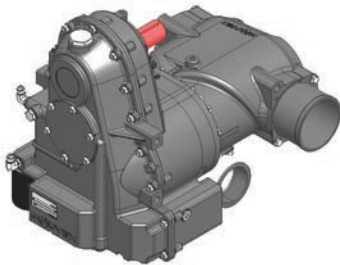


Dimensions



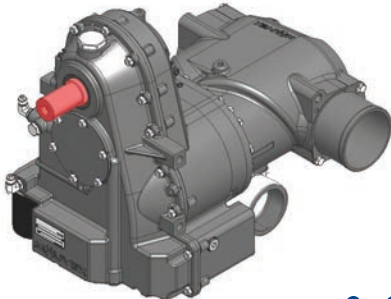
Version S PTO Driven

Rotation Direction	Type
Clockwise	15R – 20R
Counter-Clockwise	18L – 24L

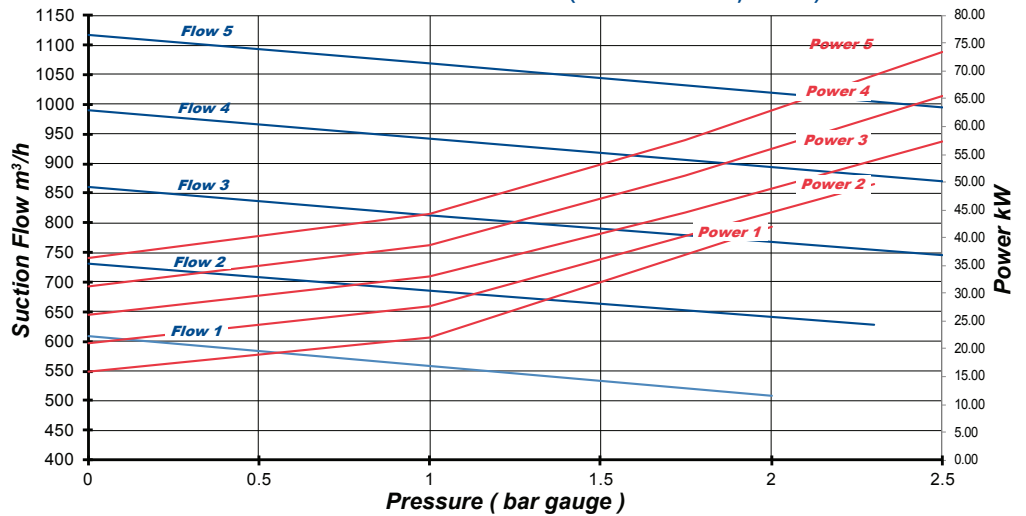


Version N External Engine Driven

Rotation Direction	Type
Clockwise	18R – 24R
Counter-Clockwise	15L – 20L



Performance Curves (Suction atm, 20°C)



Version	1	2	3	4	5
15	862	1006	1151	1296	1439
18	1034	1208	1382	1556	1727
20	1150	1343	1536	1730	1920
24	1377	1608	1840	2072	2300

MOVEX reserves the right to modify the information and illustrations contained in this document without prior notice. This is a non-contractual document. 10-2020



ZI la Plaine des Isles • 2 rue des Caillottes
 F-89000 AUXERRE - FRANCE
 Tel: + 33.3.86.49.86.30 • Fax: + 33.3.86.46.42.10
 contact.mouvex@psgdover.com
 mouvex.com

Authorized PSG® Partner: