

## Simplify & Improve Your Clean-In-Place Operations with ECS

Specifically designed to improve Clean-In-Place (CIP) operations, the **Mouvex Easy Clean System (ECS)** for H-FLO Series Pumps (already available for Mouvex SLS4 and SLS8 pumps) seal-less drive eccentric disc pumps makes the process easier than ever before by eliminating the need for an external CIP bypass while still allowing full CIP flow to pass through the pump for maximum efficiency.

Unlike other pumps that require an external CIP bypass, Mouvex H-FLO series pumps with the new ECS feature a design that incorporates the bypass directly inside the pump. With this design, there is no need for an additional power source because the compressed air source and solenoid valve used for ordinary CIP bypass can be used to power the ECS.

With the ECS, the CIP process also does not negatively impact the pump's efficiency since no extra clearance is needed to cope with CIP temperatures. Furthermore, the ECS balances the pressures inside and outside of the pump bellows creating a stronger resistance to water hammer. The ECS system is simple and easy to install, eliminates the need for additional piping, and can be operated without letting the pump cool down. Additionally, utilizing the ECS limits the pressure drop inside the pump. Pressure drop for each pumps size and CIP flow rate can be supplied upon request.

### Pump Cleaning Advantages:

- Full CIP flow crosses the pump for a maximum efficiency
- No external CIP bypass
- Less piping
- Easy cleaning
- Simple installation
- Strong resistance to water hammer
- Limited pressure drop during CIP
- Stands up to 6 bar (90 psi) at pump inlet during CIP
- No need to let the pump cool down between warm and cold phases

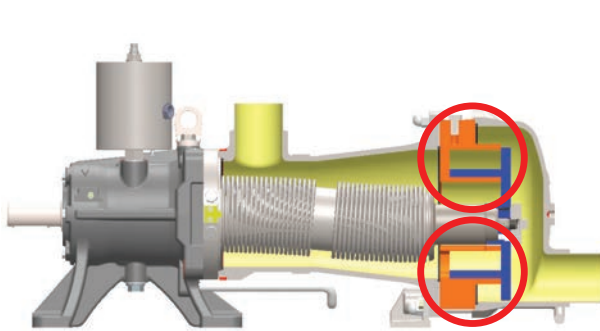


Mouvex H-FLO Series  
Eccentric Disc Pump

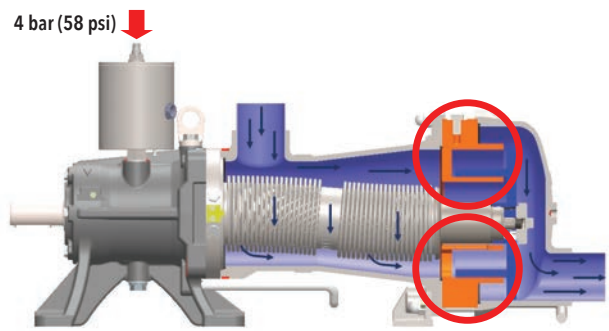


## How the Easy Clean System Works

All H-FLO series pumps can be equipped with ECS (Optional), the transmission includes a pressurization capacity designed to be supplied with 4 bar (58 psi) of compressed air. The air supply leads to the opening of the pump interior, allowing the full Clean-In-Place (CIP) flow rate to cross through the pump with limited pressure drop. This design eliminates the need for an external CIP bypass valve and linked piping. (The ECS is already available for Mouvex SLS4 and SLS8 pumps.)

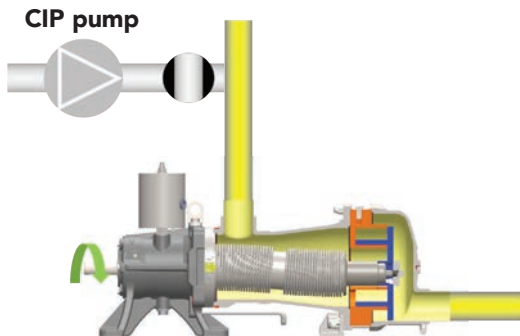


When transmission inside is at atmospheric pressure, disc is in contact with the cylinder.



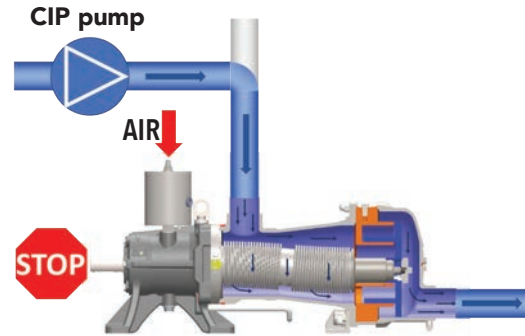
When compressed air is admitted inside the transmission, bellows stretches, pushing disc away from the cylinder.

### Process Operation (Product Pumping):



During process operation, transmission is not supplied with air. Disc remains against the cylinder to allow pumping action.

### Clean-In-Place or Water Flush:



During a CIP or a water flush, the pump is stopped and the transmission is supplied with compressed air. This enables the disc to move away from the cylinder, letting the full CIP flow rate to go through the pump with a limited pressure drop.