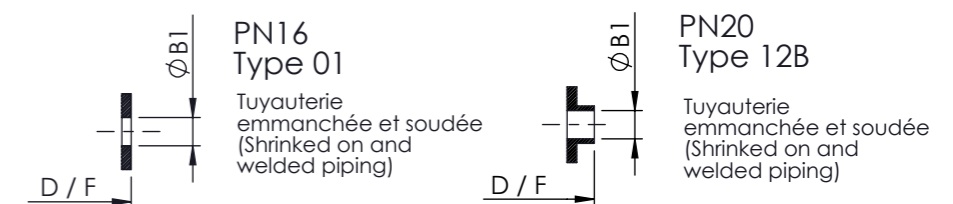
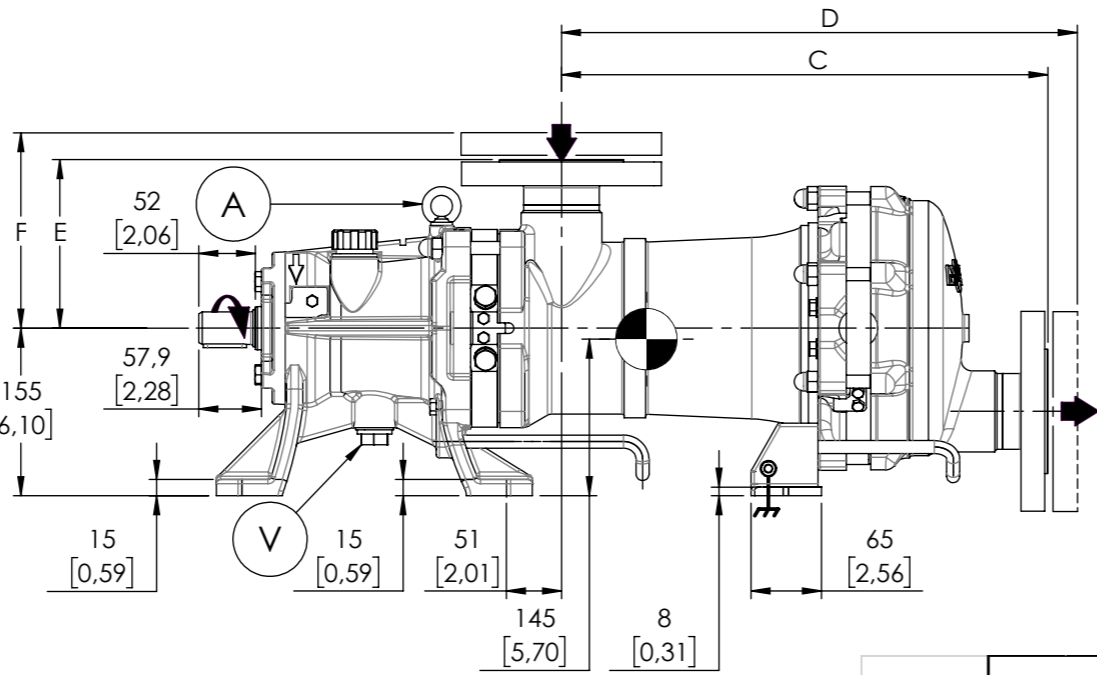
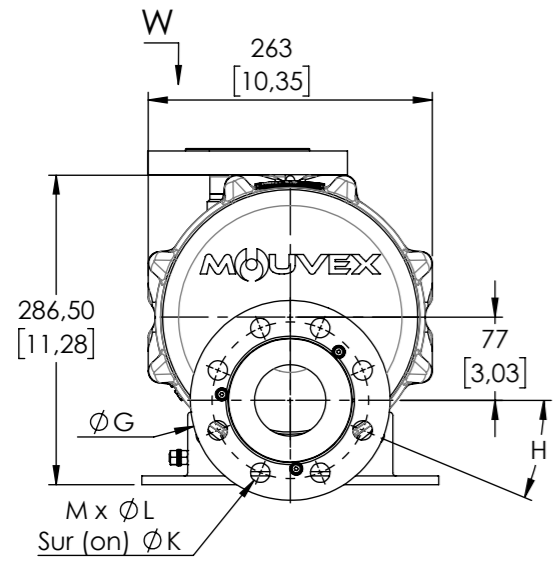
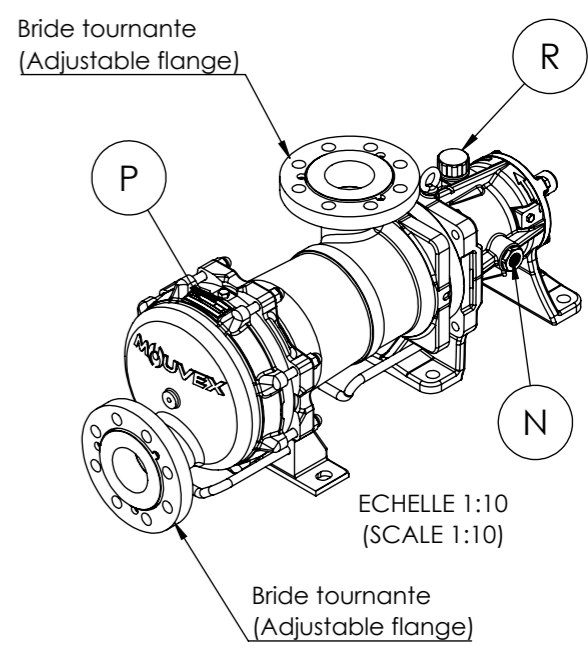
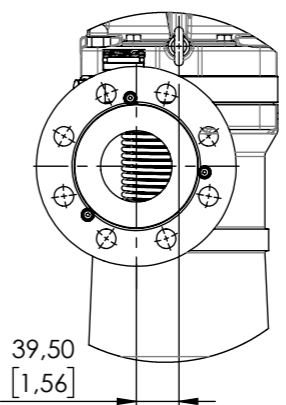
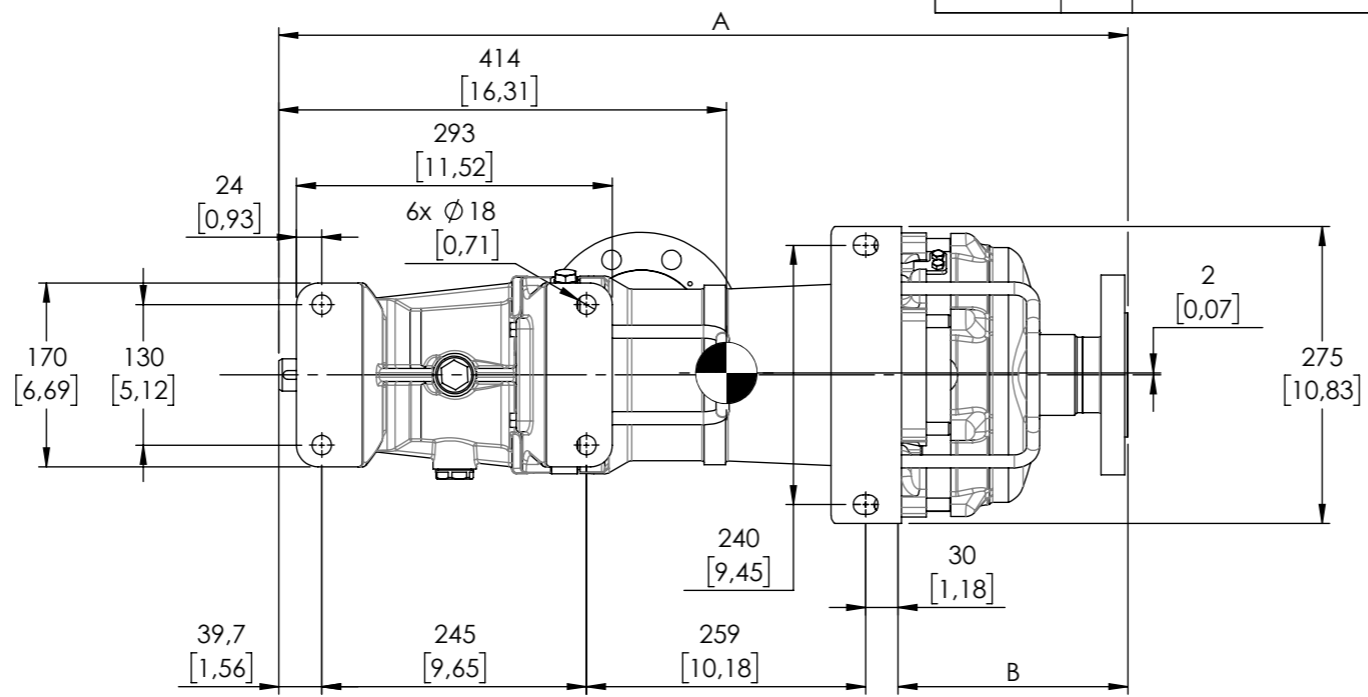
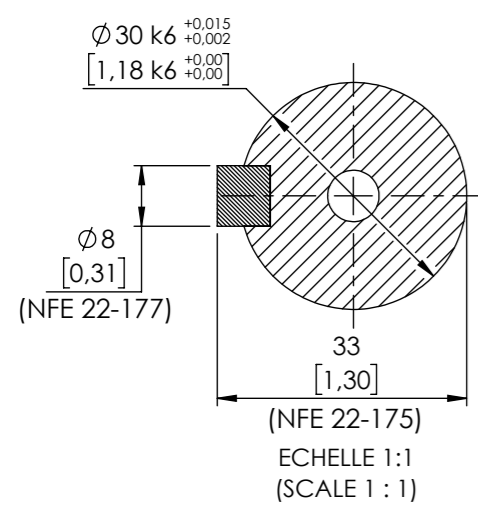


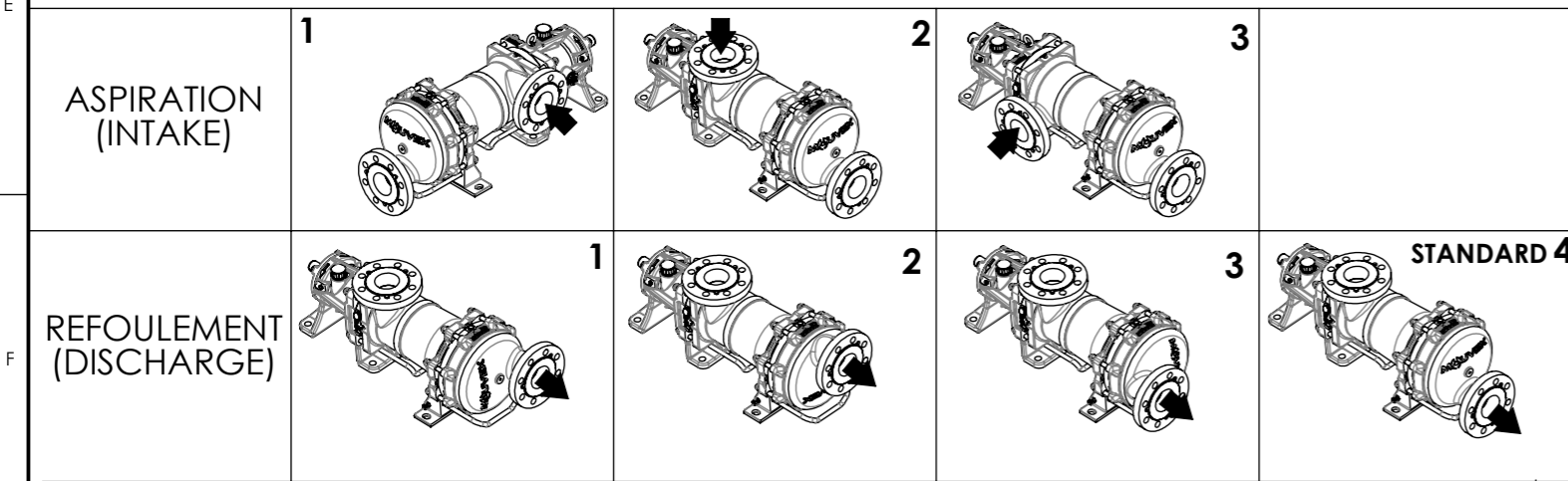
REVISIONS		
ECN	REV.	DESCRIPTION
C846	A	SEND TO PRODUCTION

## Pompe G-FLO 11 Avec Brides Tournantes Pump G-FLO 11 with Rotating Flanges



P	Plaque pompe (Pump's name plate)
R	Remplissage / Reniflard (Filling / Breather)
V	Vidange (Drain)
N	Niveau d'huile (Oil level)
A	Anneau de levage (Lifting ring)

### POSITIONS POSSIBLES (POSSIBLE POSITIONS)



	BRIDES (FLANGES)													
	DN	A	B	ØB1	C	D	E	F	ØG	ØK	ØL	M (nb holes /trous)	H (Deg)	Masse -kg- (Weight -lb-)
PN16 (EN 1092-1)	65	786	213	77,5	450	470	156	176	185	145	18	8	22.5°	90 [199]
PN20 (ANSI/ASME B16.5)	65	786	213	74,7	450	479	156	185	178	140	19	4	45°	90 [199]

UNLESS OTHERWISE SPECIFIED, ALL DIMENSIONS ARE IN mm

	NAME	DATE	PROJECTION FIRST ANGLE
DRAWN	JÉ	2021-12-06	
APPV'D	CT	2021-12-16	

WEIGHT: -  
SCALE: 1:7 DO NOT SCALE DRAWING

DRAWING N°: **M002480A3** REV: **A**

PSG a MOVEX company

MUVEX Z.I. Plaine des Isles  
Rue des Caillottes  
89000 AUXERRE - FRANCE  
☎: (33) 3.86.49.86.30 - 📠: (33) 3.86.46.42.10

THIS DOCUMENT CONTAINS PROPRIETARY INFORMATION OF PSG - A DOVER COMPANY. ITS RECEIPT AND POSSESSION DO NOT CONVEY ANY RIGHTS TO REPRODUCE OR DISCLOSE ITS CONTENTS OR TO MANUFACTURE OR SELL ANYTHING IT MAY DESCRIBE. THIS DOCUMENT IS SUBJECT TO RETURN UPON REQUEST. REPRODUCTION, DISCLOSURE OR USE OF THIS DOCUMENT WITHOUT THE WRITTEN AUTHORIZATION OF DOVER CORPORATION IS STRICTLY FORBIDDEN.

SIZE: A3 SHEET 1 OF 1