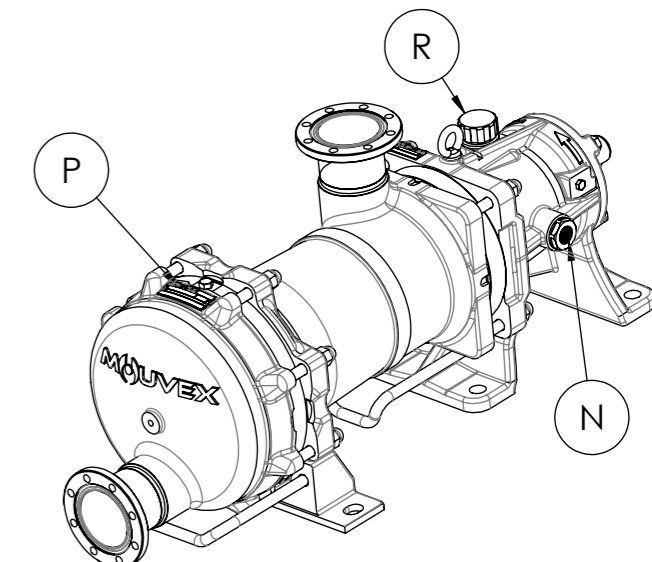


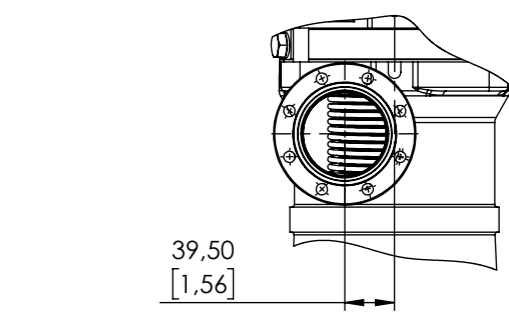
REVISIONS

ECN	REV.	DESCRIPTION
C846	A	SEND TO PRODUCTION

Pompe H-FLO 11 Avec Brides  
Pump H-FLO 11 with Flanges

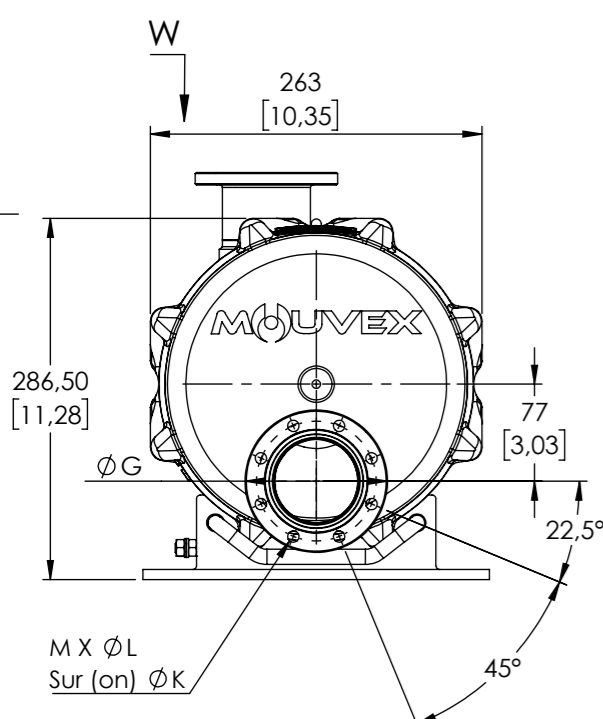
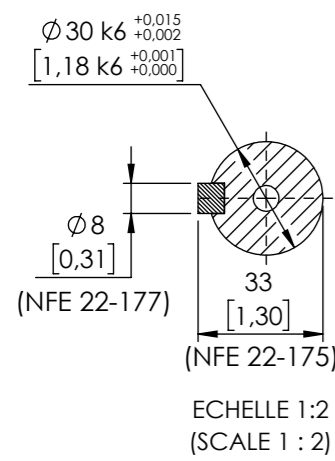
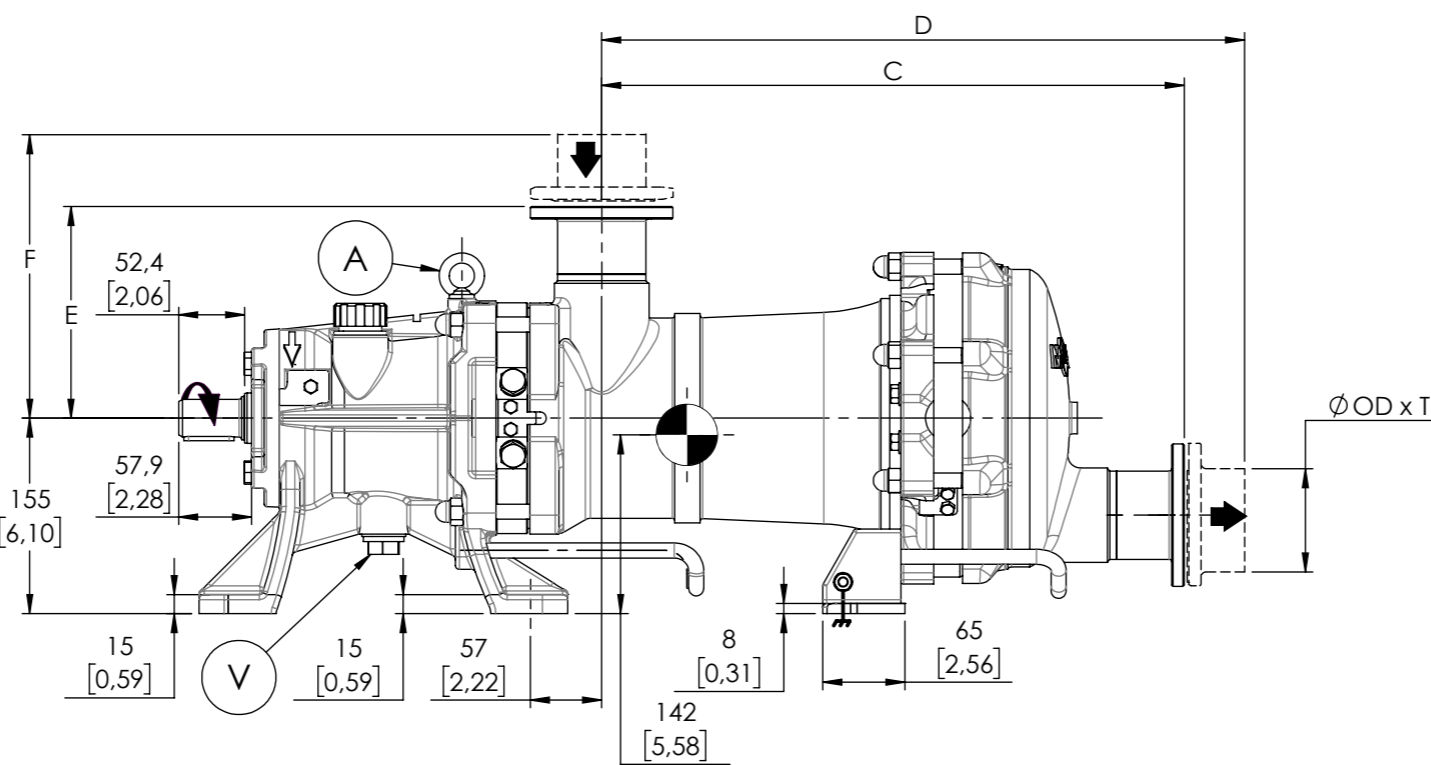
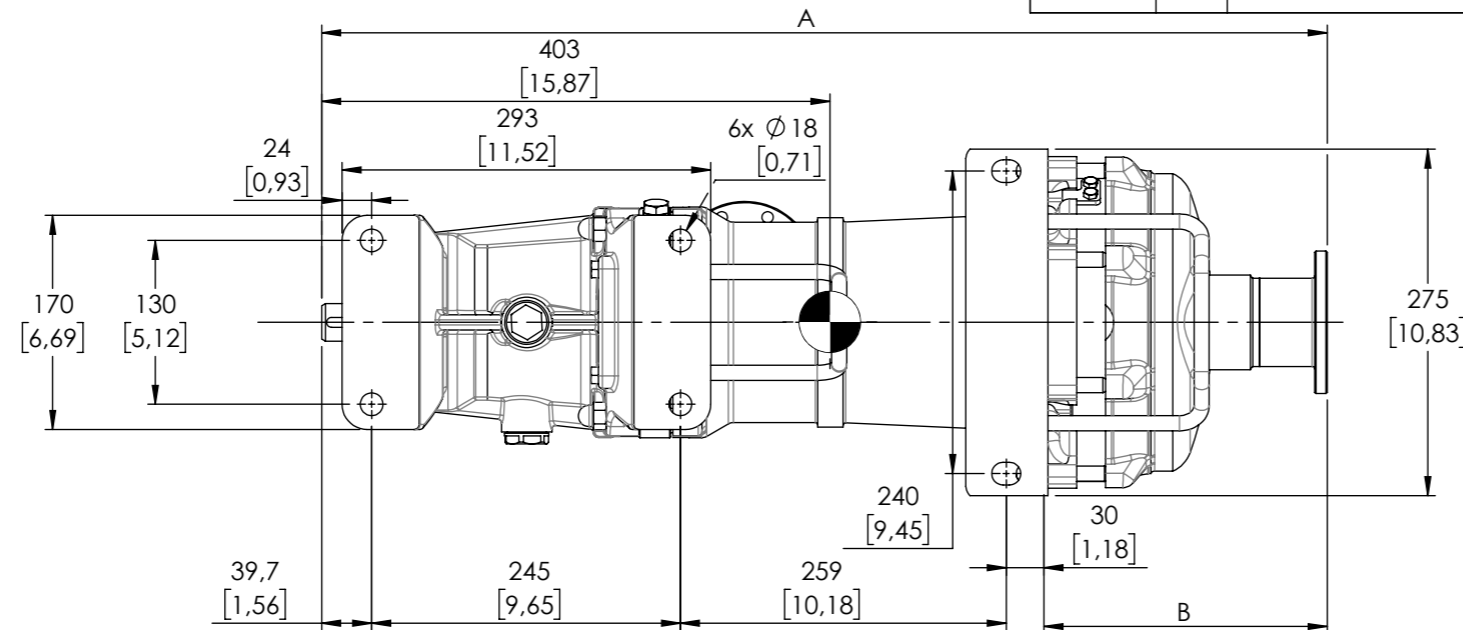


ECHELLE 1:8  
(SCALE 1:8)



Vue W-W  
(VIEW W-W)

P	Plaque pompe (Pump's name plate)
R	Remplissage / Reniflard (Filling / Breather)
V	Vidange (Drain)
N	Niveau d'huile (Oil level)
A	Anneau de levage (Lifting ring)



POSITIONS POSSIBLES (POSSIBLE POSITIONS)

	1	STANDARD 2	3	4
ASPIRATION (INTAKE)				
REFOULEMENT (DISCHARGE)				

BRIDES (FLANGES)

	DN	A	B	C	D	E	F	ØG	OD x T	ØK	ØL	M (nb holes /trous)	Masse -kg- (Weight -lb-)
DIN 11864-2 BF-A	65	798	225	462	516	168	222	113	70 x 2	95	9	8	84
	[2,559]	[31,417]	[8,858]	[18,189]	[20,315]	[6,614]	[8,74]	[4,449]	[2,756 x 0,079]	[3,74]	[0,354]		[186]

UNLESS OTHERWISE SPECIFIED, ALL DIMENSIONS ARE IN mm

	NAME	DATE	PROJECTION FIRST ANGLE
DRAWN	JÉ	2021-12-06	
APPV'D	CT	2021-12-16	

**PSG** a **MUEVEX** company  
 MUEVEX Z.I. Plaine des Isles  
 Rue des Caillottes  
 89000 AUXERRE - FRANCE  
 ☎ (33) 3.86.49.86.30 📠 (33) 3.86.46.42.10

DRAWING N°: **M002480A2** REV: **A**

WEIGHT: -  
SCALE: 1:6 DO NOT SCALE DRAWING SIZE: A3 SHEET 1 OF 1