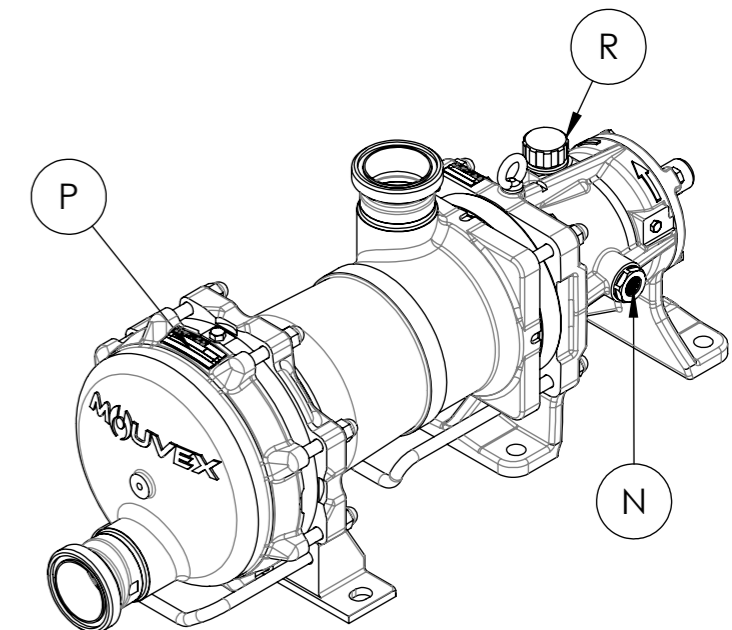
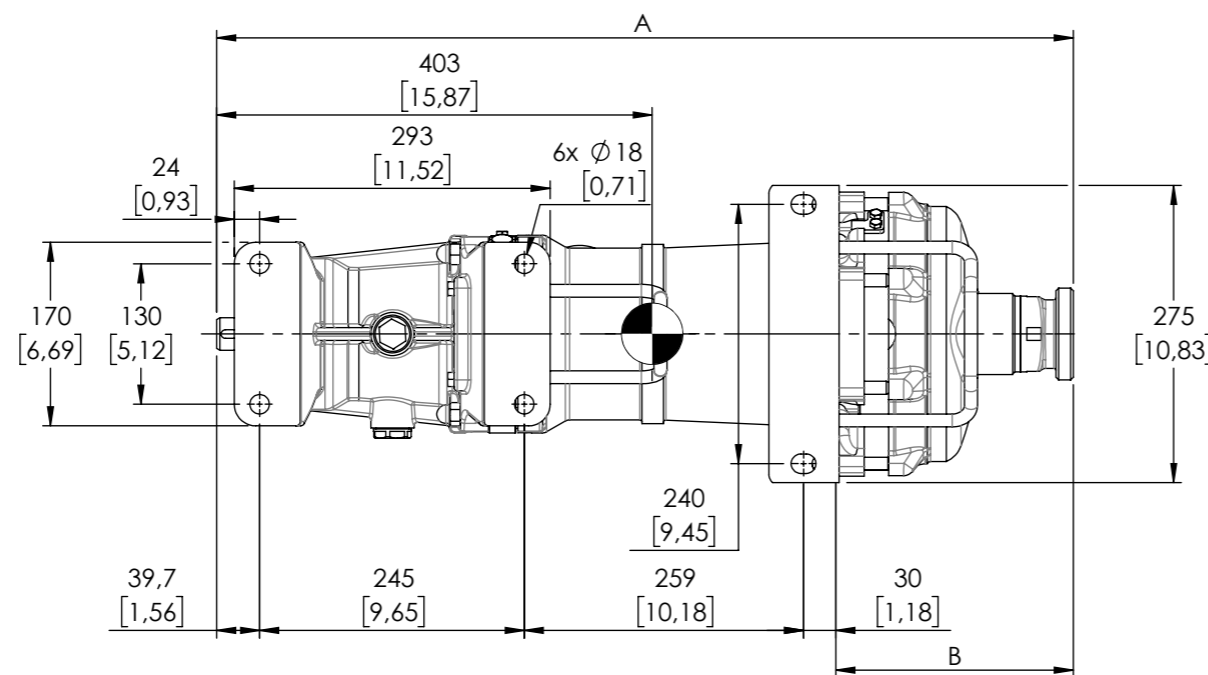
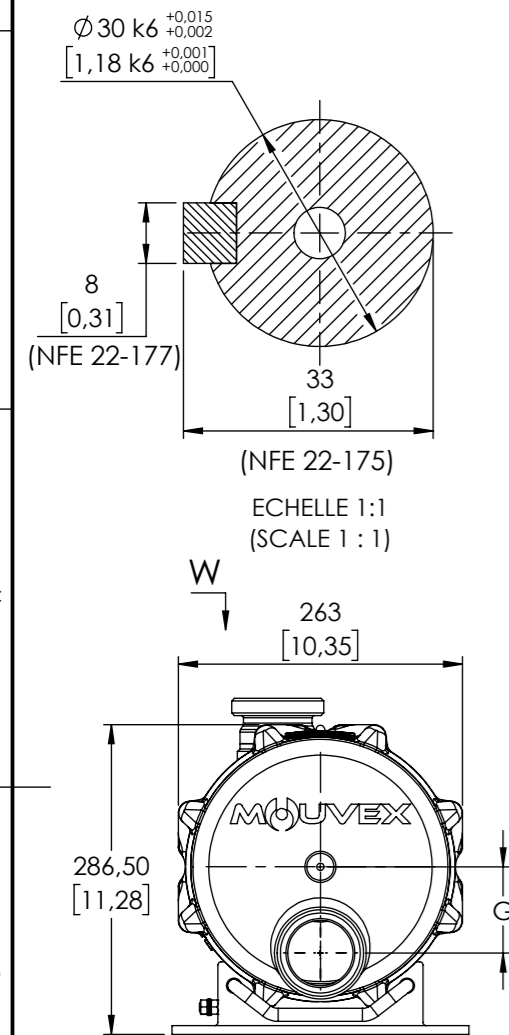
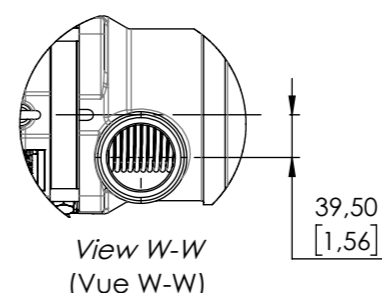
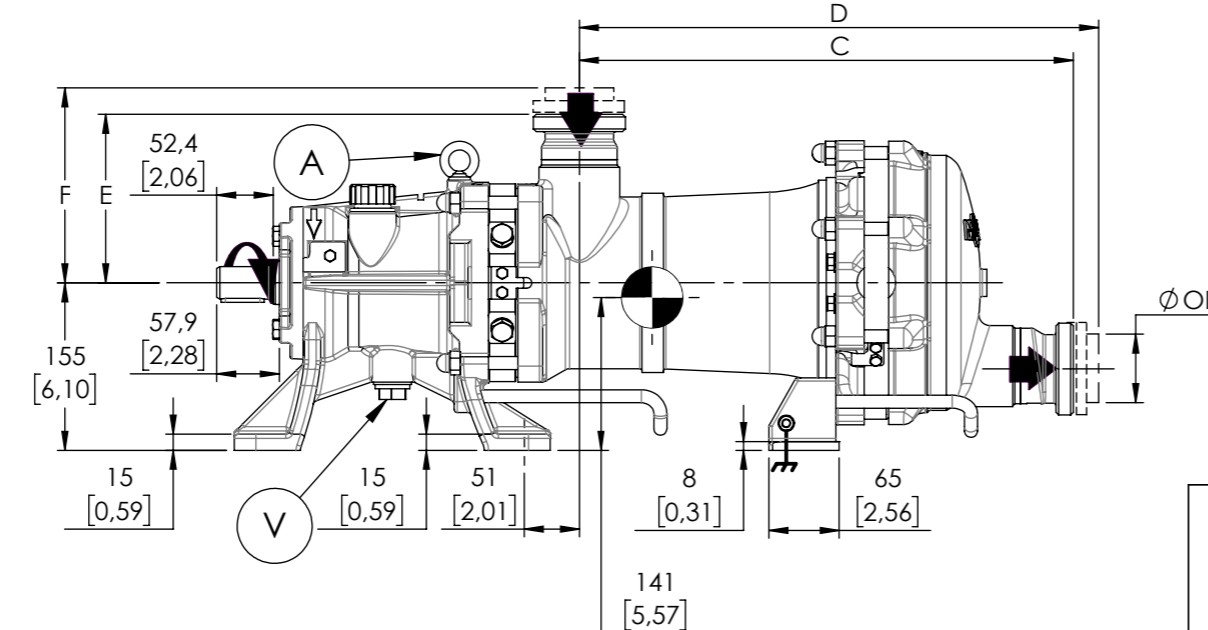
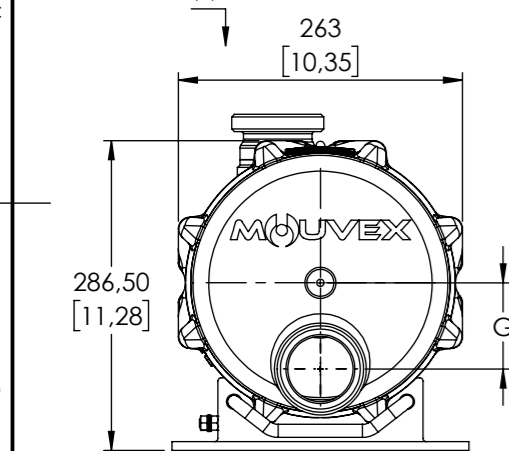


REVISIONS		
ECN	REV.	DESCRIPTION
M3674	B	PUMP VIEW CORRECTED IN REFOULEMENT POSITION 2 & 4 (F2 & F4).

**Pompe H-FLO 11 avec raccords**  
**Pump H-FLO 11 with connections**



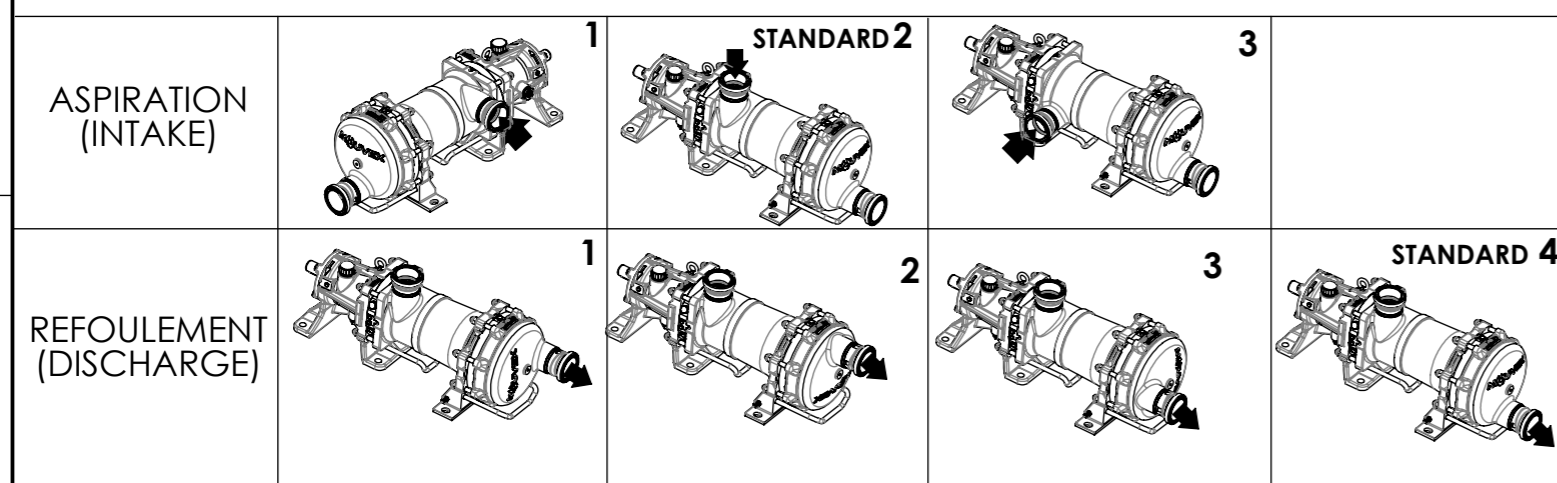
ECHELLE 1:7  
(SCALE 1:7)



P	Plaque pompe (Pump's name plate)
R	Remplissage / Reniflard (Filling / Breather)
V	Vidange (Drain)
N	Niveau d'huile (Oil level)
A	Anneau de levage (Lifting ring)

	RACCORDS (CONNECTIONS)									STANDARD Masse -kg- (Weight -lb-)
	DN	A	B	C	D	E	F	G	ØOD x T	
SMS 1145	63 [2,48]	793 [31,22]	220 [8,661]	457 [17,992]	484 [19,055]	156 [6,142]	183 [7,205]	79,8 [3,142]	60,5 x 1,5 [2,382 x 0,059]	82 [181]
Clamp (ISO 2852)	63 [2,48]	788 [31,024]	215 [8,465]	452 [17,795]	473,5 [18,642]	150 [5,906]	171,5 [6,752]	79,9 [3,146]	60,3 x 2 [2,374 x 0,079]	82 [181]
Clamp ASME-BPE (2009)	63 [2,48]	823 [32,402]	250 [9,843]	487 [19,173]	516 [20,315]	186 [7,323]	215 [8,465]	79,9 [3,146]	63,5 x 1,65 [2,5 x 0,065]	82 [181]
DIN 11851	65 [2,559]	783,9 [30,862]	211 [8,307]	448 [17,646]	480 [18,898]	154 [6,063]	186 [7,323]	77 [3,031]	70 x 2 [2,756 x 0,079]	82 [181]

POSITIONS POSSIBLES (POSSIBLE POSITIONS)



UNLESS OTHERWISE SPECIFIED, ALL DIMENSIONS ARE IN mm

	NAME	DATE	PROJECTION FIRST ANGLE
DRAWN	MS	2022-10-04	
APPV'D	EGK	2022-10-07	

WEIGHT: -  
SCALE: 1:7 DO NOT SCALE DRAWING

**PSG** a MOVEX company  
 MOVEX Z.I. Plaine des Isles  
 Rue des Caillottes  
 89000 AUXERRE - FRANCE  
 ☎ (33) 3.86.49.86.30 - 📠 (33) 3.86.46.42.10

DRAWING N° **M002480A1** REV: **B**  
 SIZE: A3 SHEET 1 OF 1