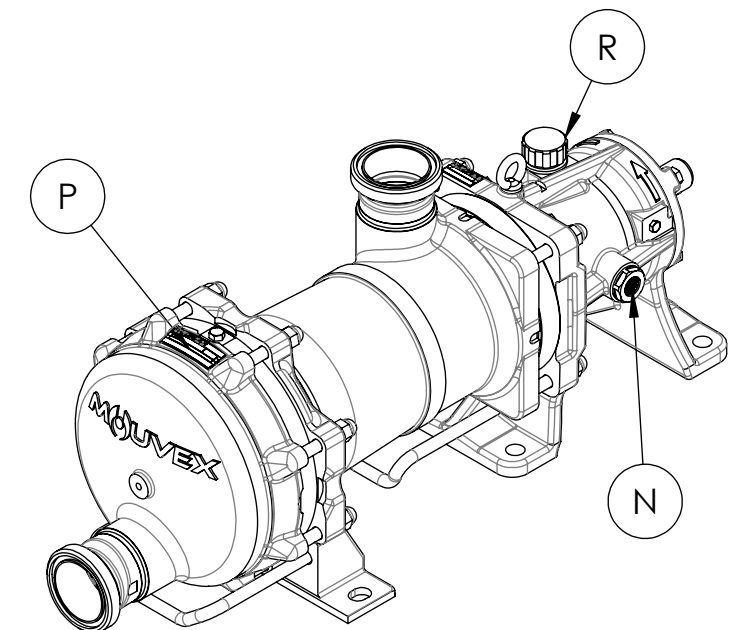
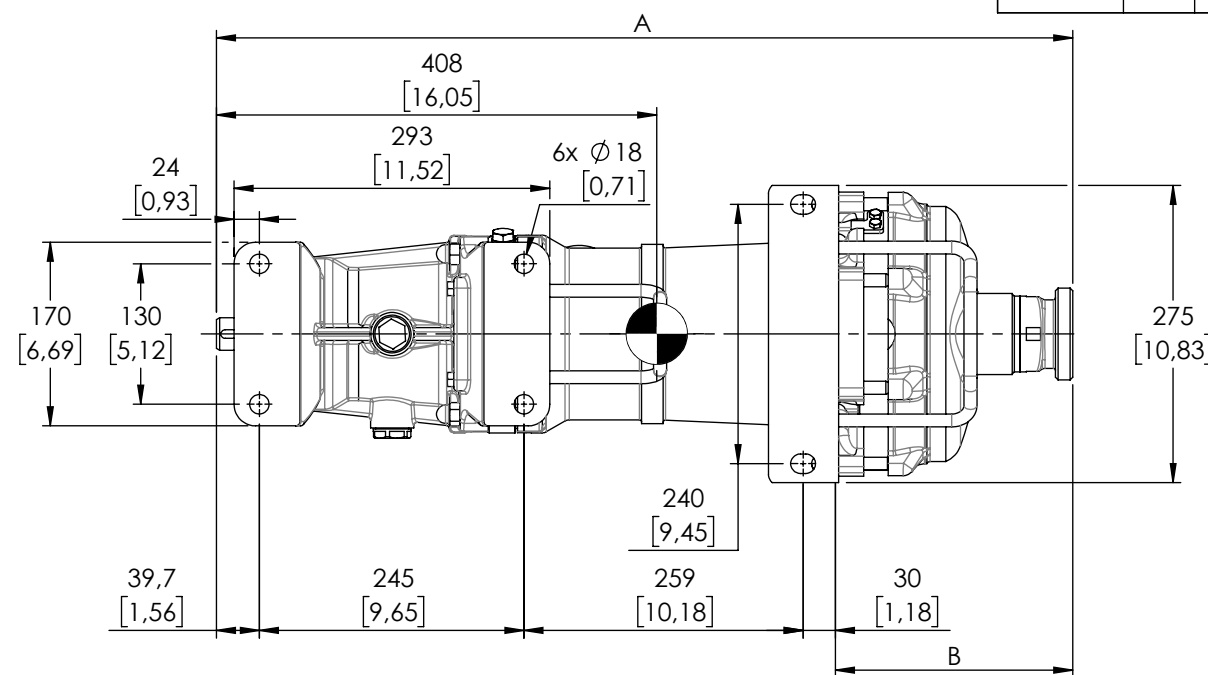
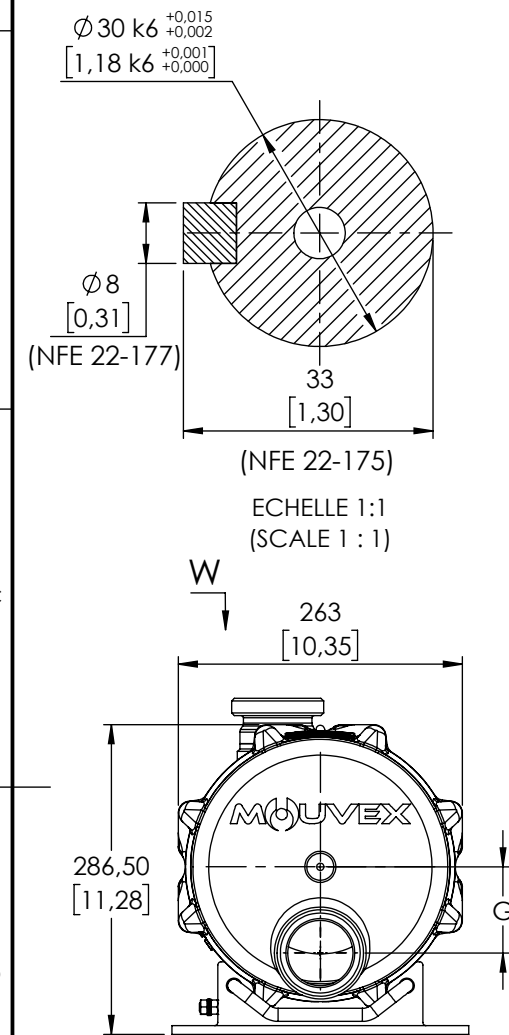
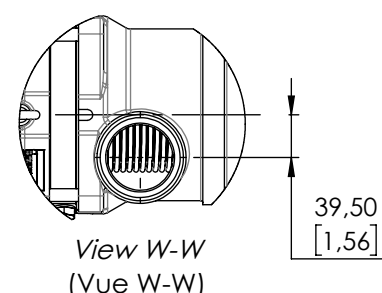
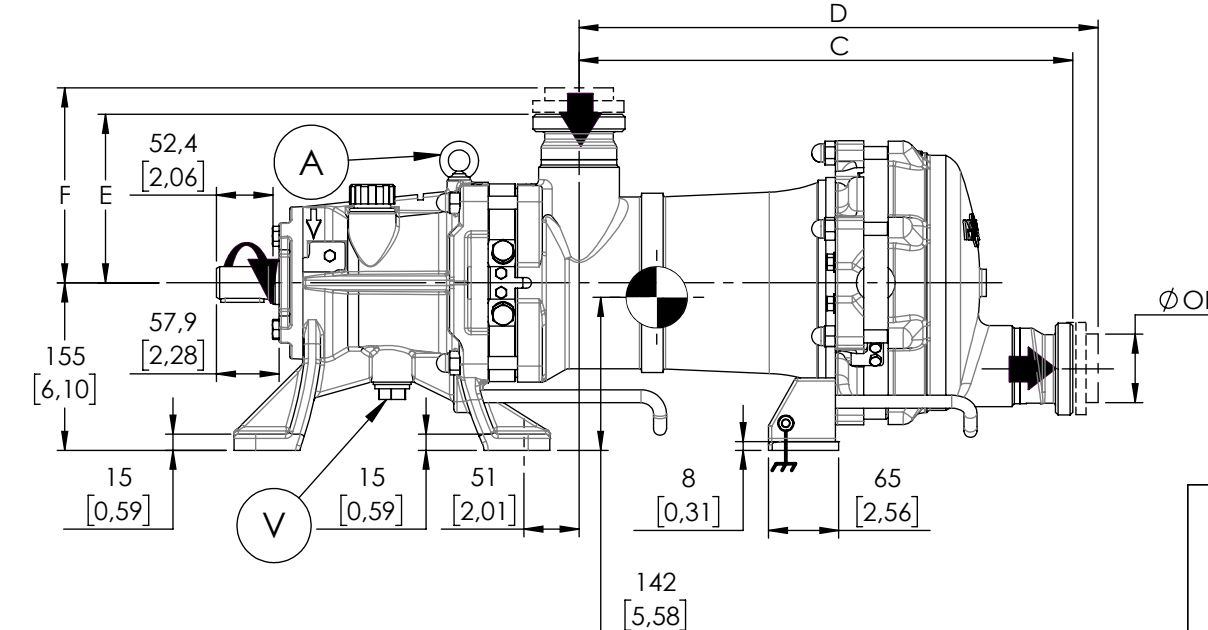
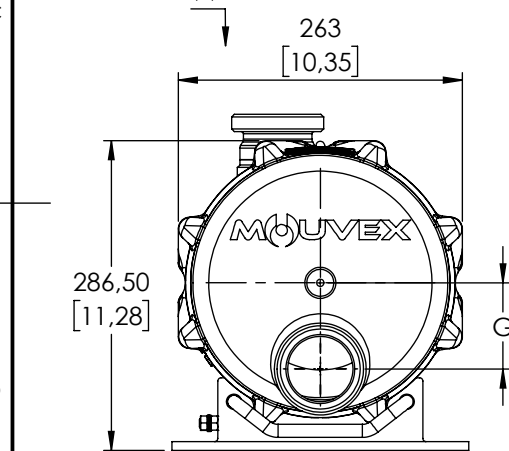


REVISIONS		
ECN	REV.	DESCRIPTION
C845	A	SEND TO PRODUCTION

**Pompe H-FLO 15 avec raccords**  
**Pump H-FLO 15 with connections**



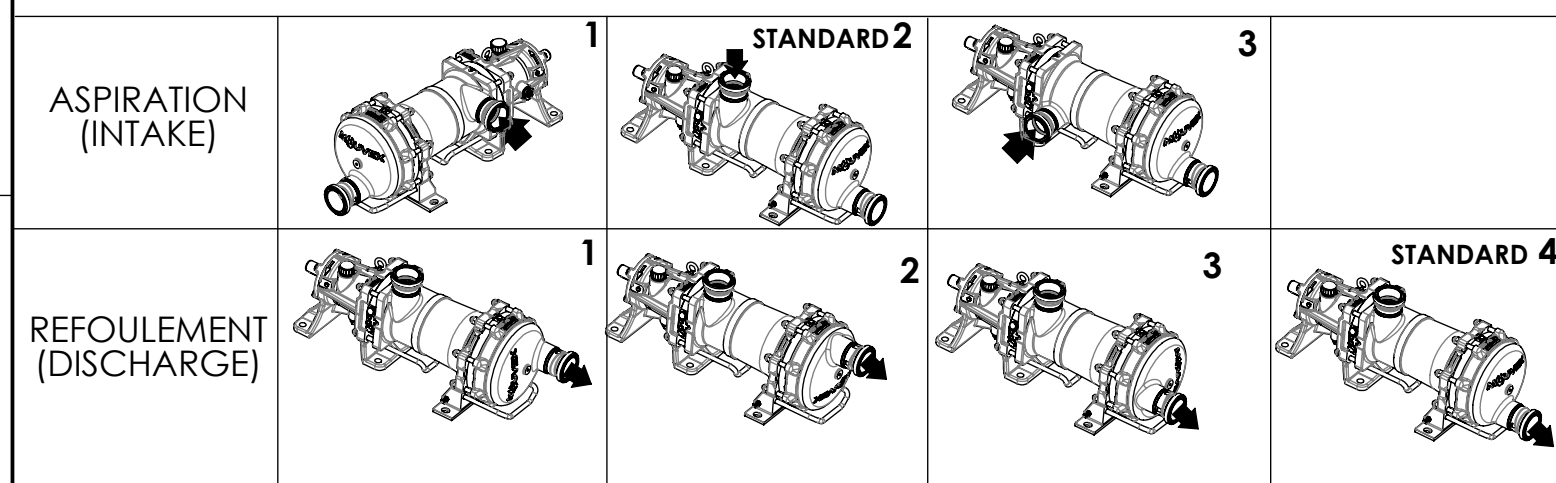
ECHELLE 1:7 (SCALE 1:7)



P	Plaque pompe (Pump's name plate)
R	Remplissage / Reniflard (Filling / Breather)
V	Vidange (Drain)
N	Niveau d'huile (Oil level)
A	Anneau de levage (Lifting ring)

	RACCORDS (CONNECTIONS)									STANDARD Masse -kg (Weight -lb)
	DN	A	B	C	D	E	F	G	ØOD x T	
SMS 1145	63 [2,48]	793 [31,22]	220 [8,661]	457 [17,992]	484 [19,055]	156 [6,142]	183 [7,205]	79,8 [3,142]	60,5 x 1,5 [2,382 x 0,059]	82 [181]
Clamp (ISO 2852)	63 [2,48]	788 [31,024]	215 [8,465]	452 [17,795]	473,5 [18,642]	150 [5,906]	171,5 [6,752]	79,9 [3,146]	60,3 x 2 [2,374 x 0,079]	82 [181]
Clamp ASME-BPE (2009)	63 [2,48]	823 [32,402]	250 [9,843]	487 [19,173]	516 [20,315]	186 [7,323]	215 [8,465]	79,9 [3,146]	63,5 x 1,65 [2,5 x 0,065]	82 [181]
DIN 11851	65 [2,559]	783,9 [30,862]	211 [8,307]	448 [17,646]	480 [18,898]	154 [6,063]	186 [7,323]	77 [3,031]	70 x 2 [2,756 x 0,079]	82 [181]

POSITIONS POSSIBLES (POSSIBLE POSITIONS)



UNLESS OTHERWISE SPECIFIED, ALL DIMENSIONS ARE IN mm

	NAME	DATE	PROJECTION FIRST ANGLE
DRAWN	RVB	2021-07-22	
APPV'D	EGK	2021-10-21	

**PSG** a **MUVEX** company

MUVEX Z.I. Plaine des Isles  
Rue des Caillottes  
89000 AUXERRE - FRANCE  
☎ (33) 3.86.49.86.30 - 📠 (33) 3.86.46.42.10

DRAWING N° **M002070A1** REV: **A**

WEIGHT: -  
SCALE: 1:7 DO NOT SCALE DRAWING SIZE: A3 SHEET 1 OF 1

THIS DOCUMENT CONTAINS PROPRIETARY INFORMATION OF PSG - A DOVER COMPANY. ITS RECEIPT AND POSSESSION DO NOT CONVEY ANY RIGHTS TO REPRODUCE OR DISCLOSE ITS CONTENTS OR TO MANUFACTURE OR SELL ANYTHING IT MAY DESCRIBE. THIS DOCUMENT IS SUBJECT TO RETURN UPON REQUEST. REPRODUCTION, DISCLOSURE OR USE OF THIS DOCUMENT WITHOUT THE WRITTEN AUTHORIZATION OF DOVER CORPORATION IS STRICTLY FORBIDDEN.