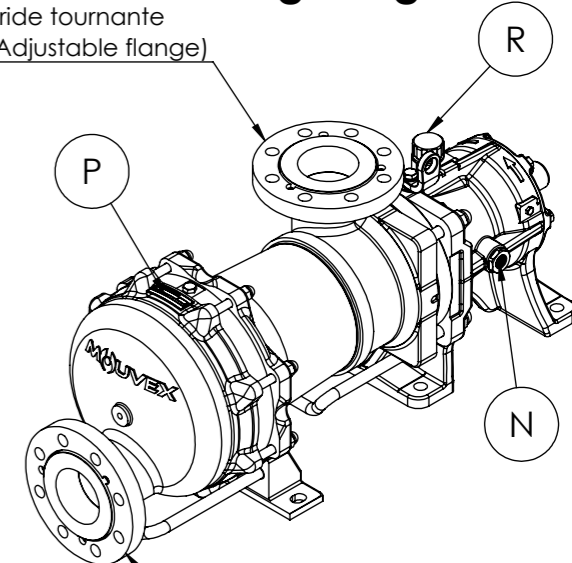


REVISIONS

ECN	REV.	DESCRIPTION
843	A	SEND TO PRODUCTION

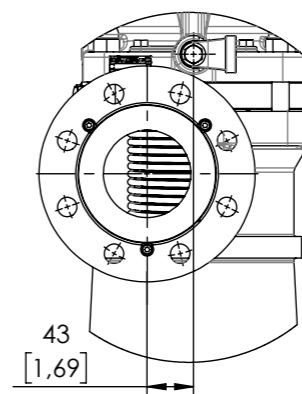
**Pompe G-FLO 25 Avec brides tournantes**  
**Pump G-FLO 25 with rotating flanges**

Bride tournante  
(Adjustable flange)



Bride tournante  
(Adjustable flange)

SCALE 1:10  
ECHELLE 1:10



View W-W  
Vue W-W

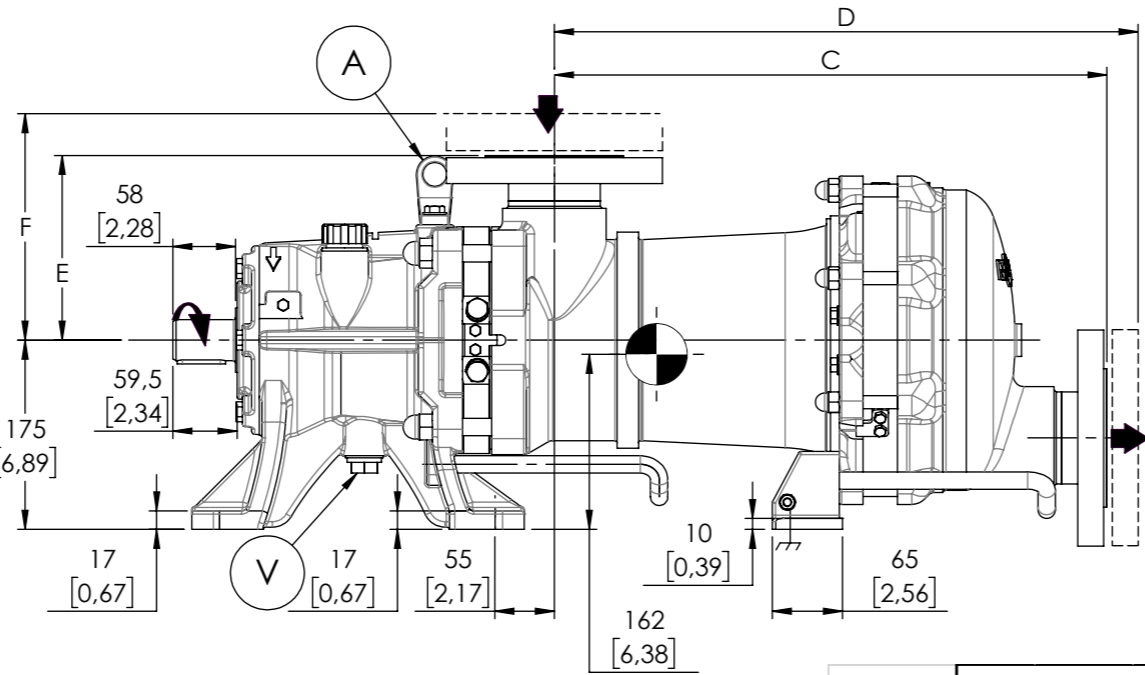
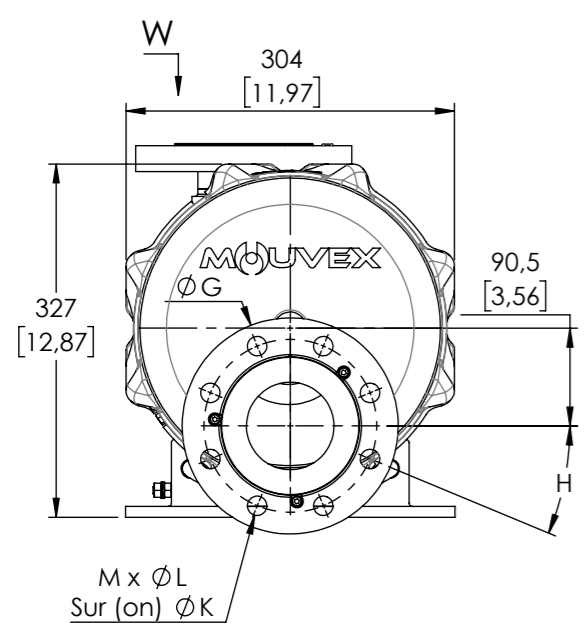
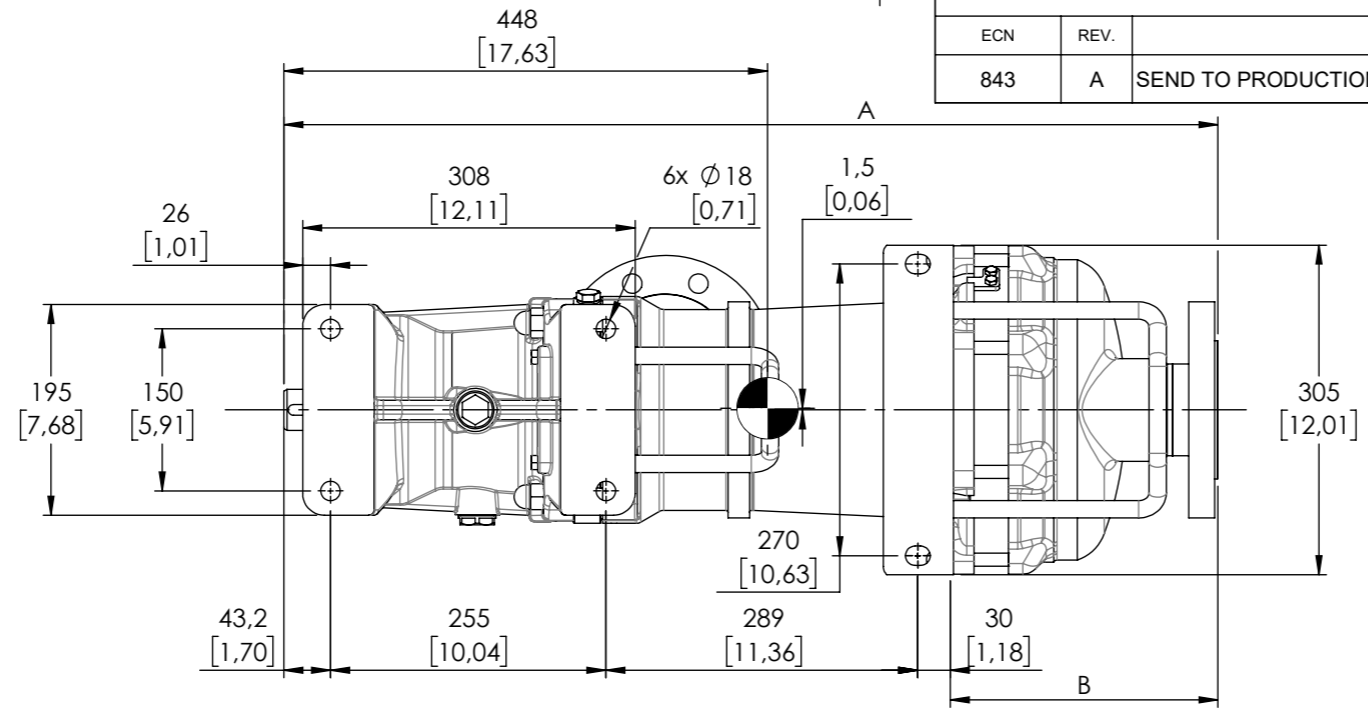
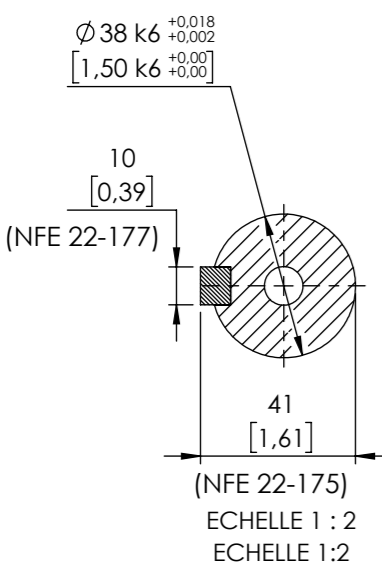
PN16  
Type 01

Tuyauterie emmanchée et soudée  
(Shrunk on and welded piping)

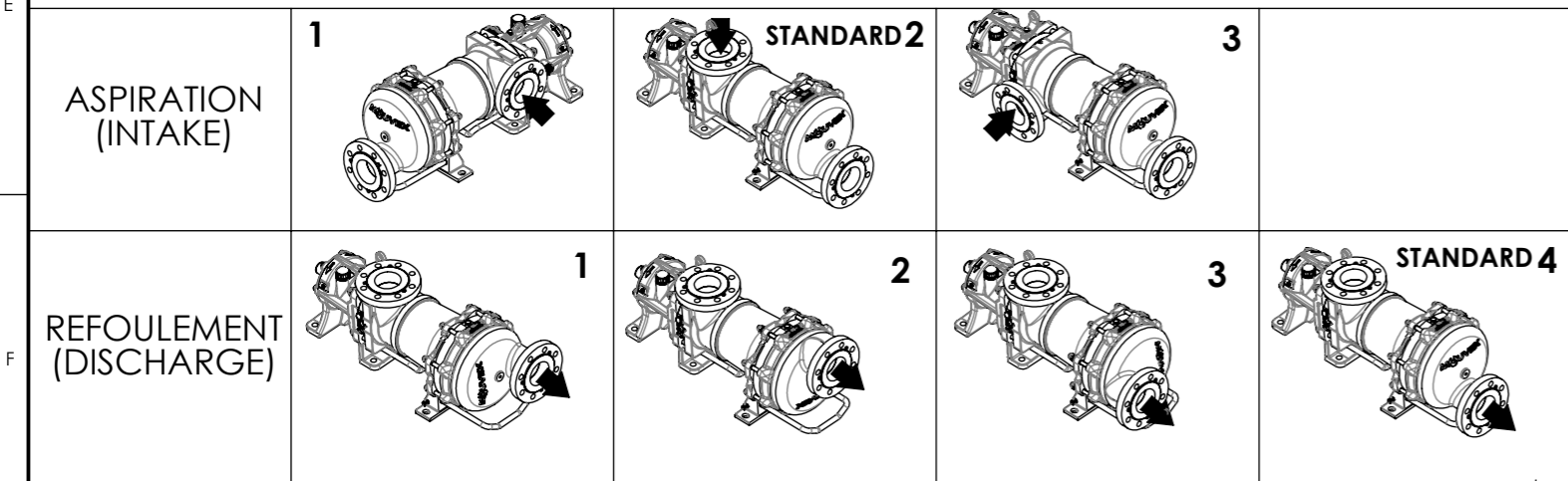
PN20  
Type 12B

Tuyauterie emmanchée et soudée  
(Shrunk on and welded piping)

P	Plaque pompe (Pump's name plate)
R	Remplissage / Reniflard (Filling / Breather)
V	Vidange (Drain)
N	Niveau d'huile (Oil level)
A	Anneau de levage (Lifting ring)



POSITIONS POSSIBLES (POSSIBLE POSITIONS)



BRIDES (FLANGES)

	DN	A	B	ØB1	C	D	E	F	ØG	ØK	ØL	M (nb holes / trous)	H (Deg)	Masse -kg- (Weight -lb-)
PN16 (EN 1092-1)	80	865	248	90,5	511,5	531,5	171	191	200	160	18	8	22,5°	130 [287]
PN20 (ANSI/ASME B16.5)	80	865	248	90,5	511,5	541,5	171	201	190	152	19	4	45°	130 [287]

UNLESS OTHERWISE SPECIFIED, ALL DIMENSIONS ARE IN mm

	NAME	DATE	PROJECTION FIRST ANGLE
DRAWN	RVB	2020-07-07	
APPV'D	JÉ	2021-09-10	

**PSG** a **MUOVEX** company  
 Z.I. Plaine des Isles  
 Rue des Caillottes  
 89000 AUXERRE - FRANCE  
 ☎ (33) 3.86.49.86.30 - 📠 (33) 3.86.46.42.10

DRAWING N° **M001777A3** REV: **A**

WEIGHT: -  
 SCALE: 1:7 DO NOT SCALE DRAWING SIZE: A3 SHEET 1 OF 1