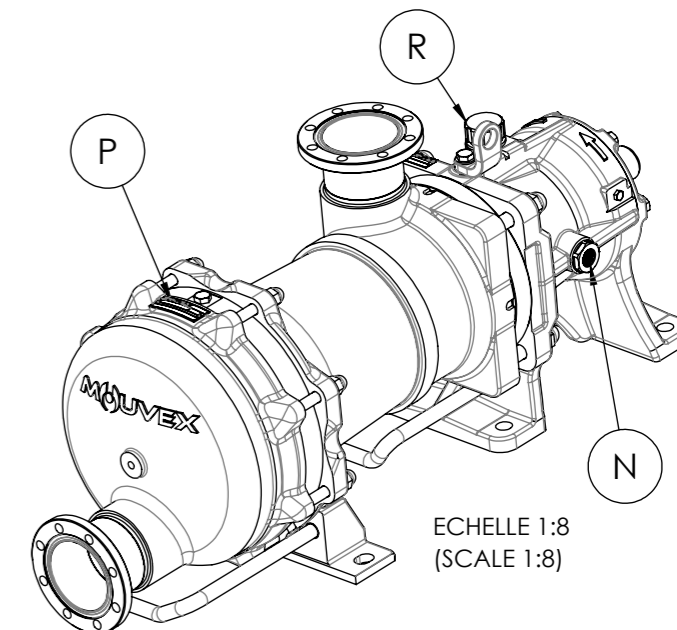
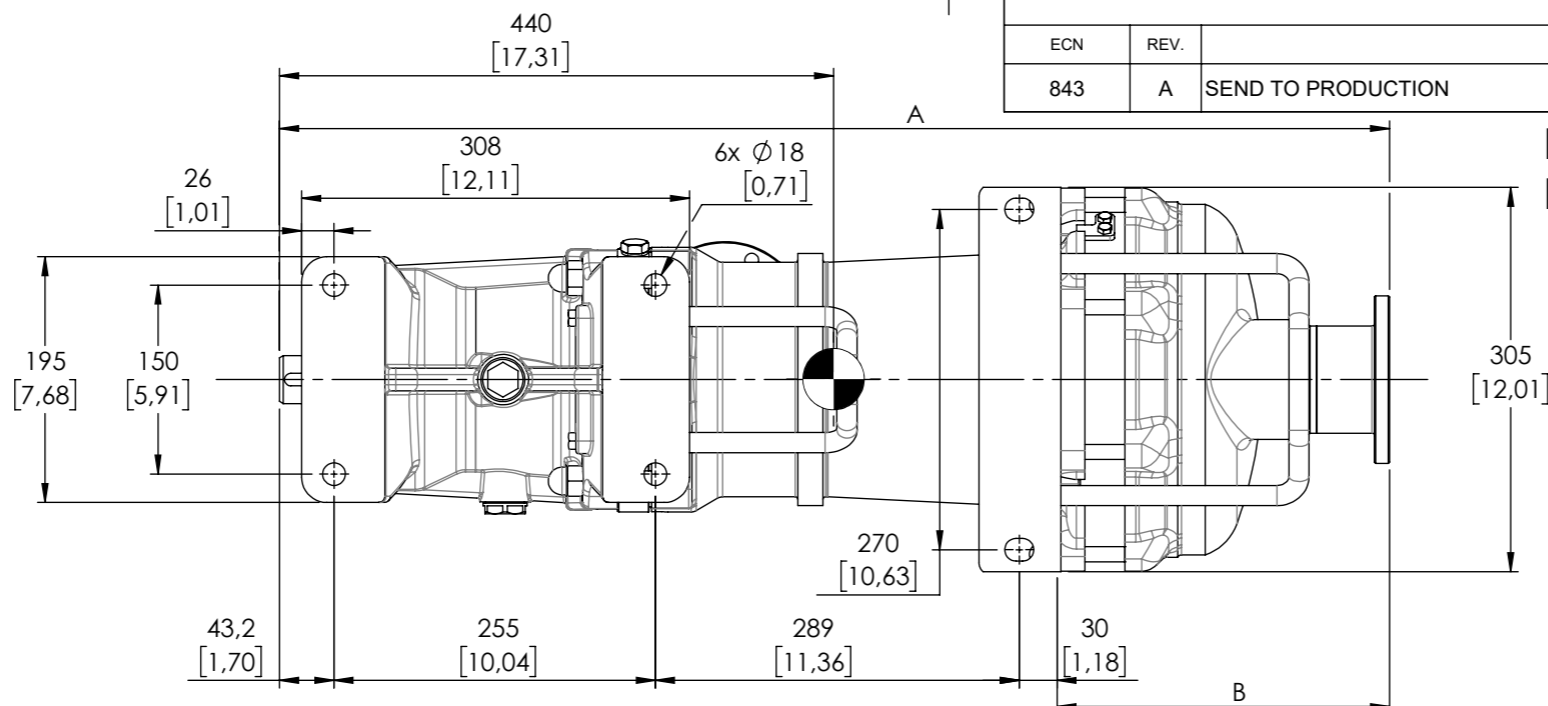
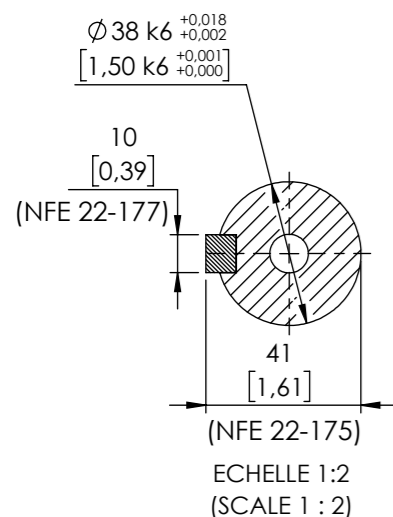


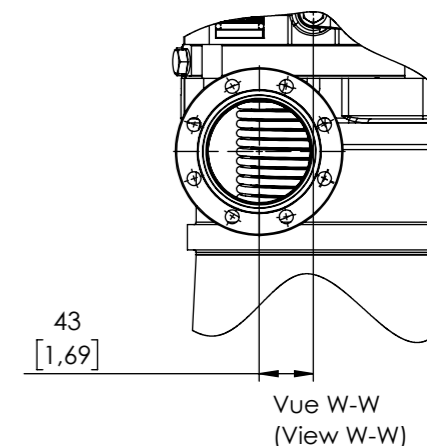
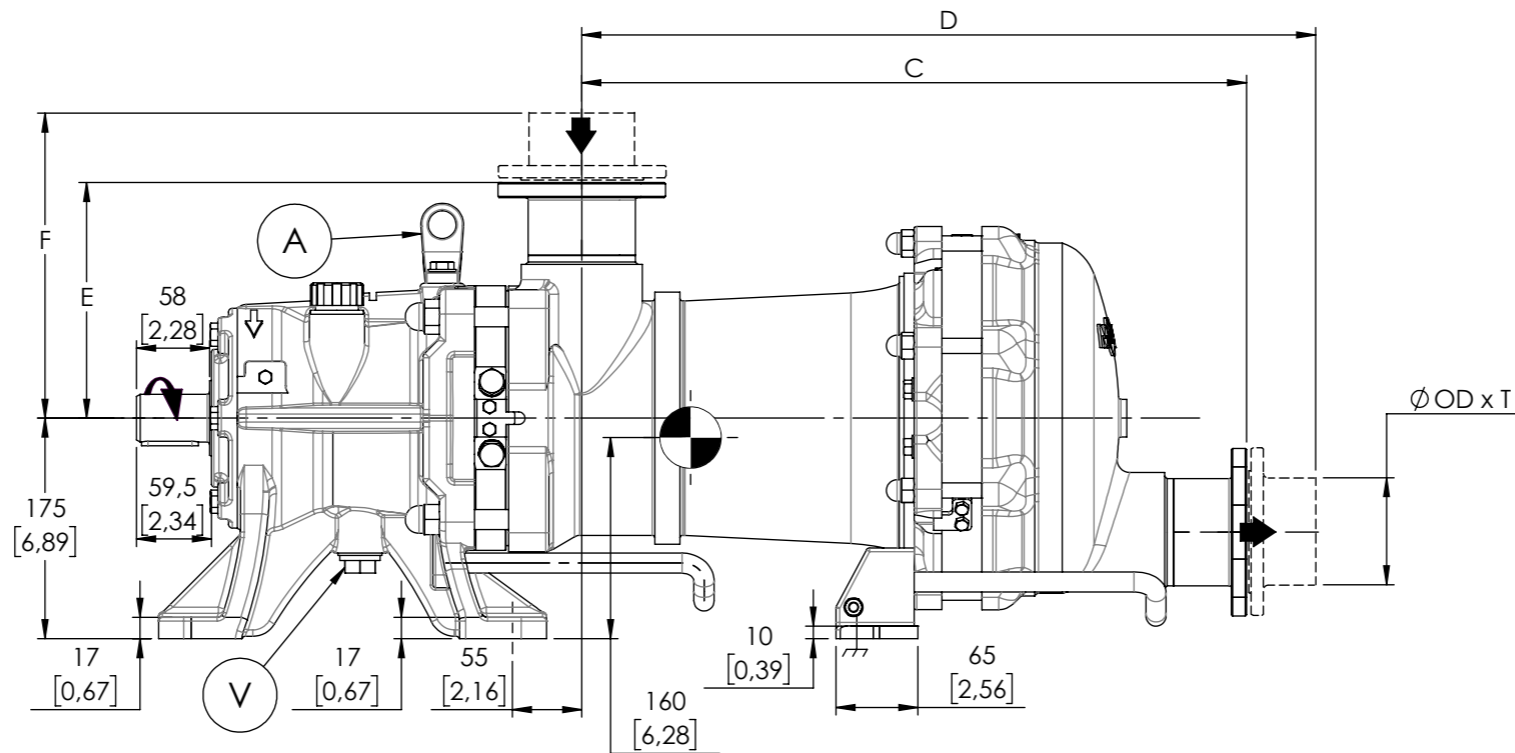
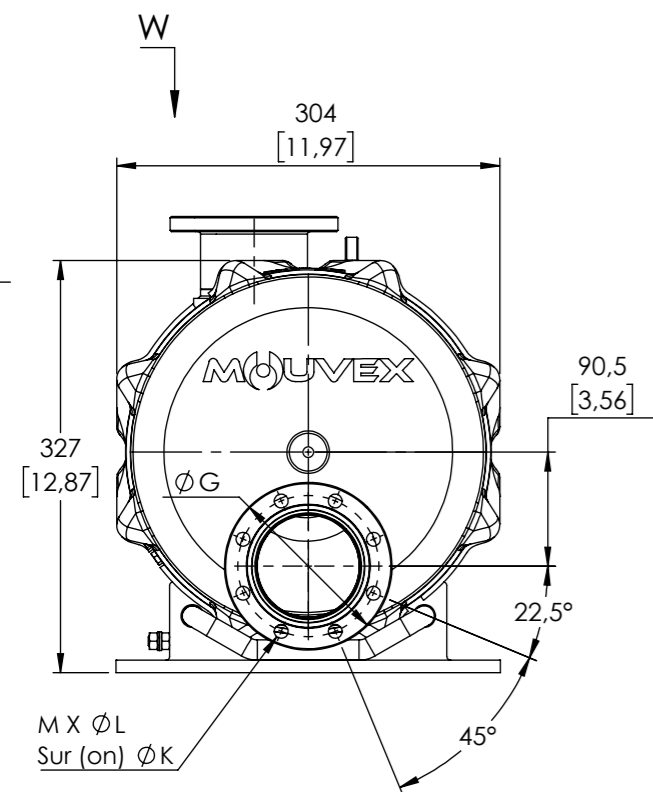
REVISIONS

ECN	REV.	DESCRIPTION
843	A	SEND TO PRODUCTION

Pompe H-FLO 25 Avec Brides
Pump H-FLO 25 with Flanges

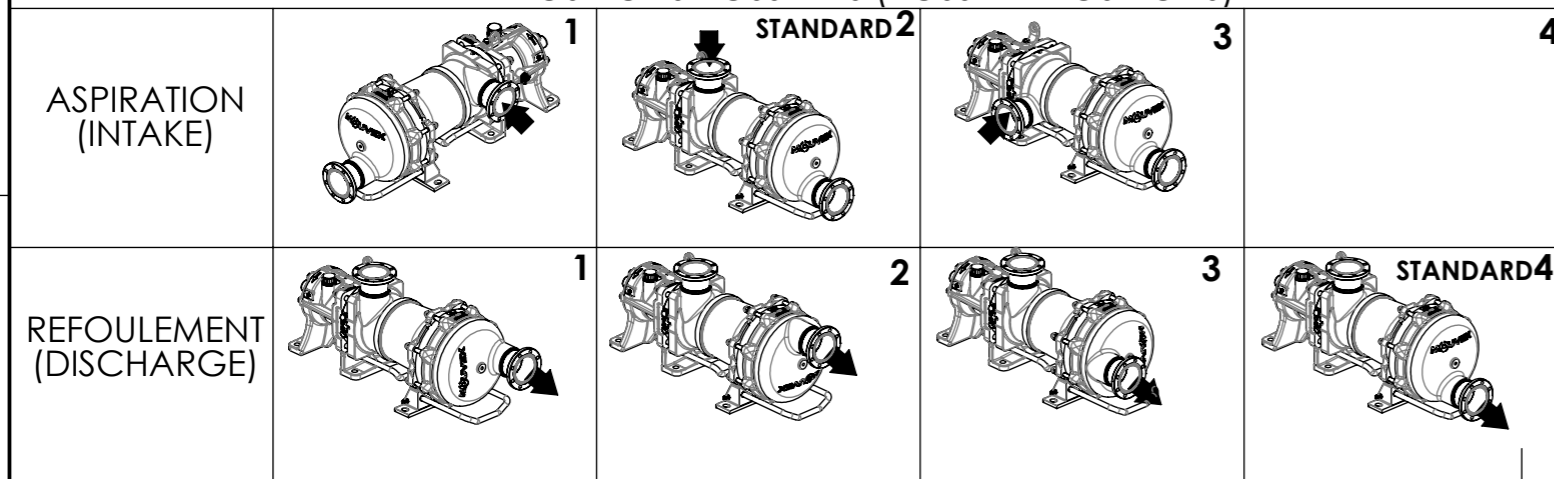


ECHELLE 1:8
(SCALE 1:8)



P	Plaque pompe (Pump's name plate)
R	Remplissage / Reniflard (Filling / Breather)
V	Vidange (Drain)
N	Niveau d'huile (Oil level)
A	Anneau de levage (Lifting ring)

POSITIONS POSSIBLES (POSSIBLE POSITIONS)



BRIDES (FLANGES)

	DN	A	B	C	D	E	F	ØG	OD x T	ØK	ØL	M (nb holes /trous)	Masse -kg- (Weight -lb-)
DIN 11864-2 BF-A	80	881	264	527,5	553	187	213	133	85 x 2	112	11	8	123
	[3,15]	[34,685]	[10,394]	[20,768]	[21,772]	[7,362]	[8,386]	[5,236]	[3,346 x 0,079]	[4,409]	[0,433]		[272]

UNLESS OTHERWISE SPECIFIED, ALL DIMENSIONS ARE IN mm

	NAME	DATE	PROJECTION FIRST ANGLE
DRAWN	RVB	2021-07-19	
APPV'D	JÉ	2021-09-10	



DRAWING N°: **M001777A2** REV: **A**

WEIGHT: -
SCALE: 1:6 DO NOT SCALE DRAWING SIZE: A3 SHEET 1 OF 1