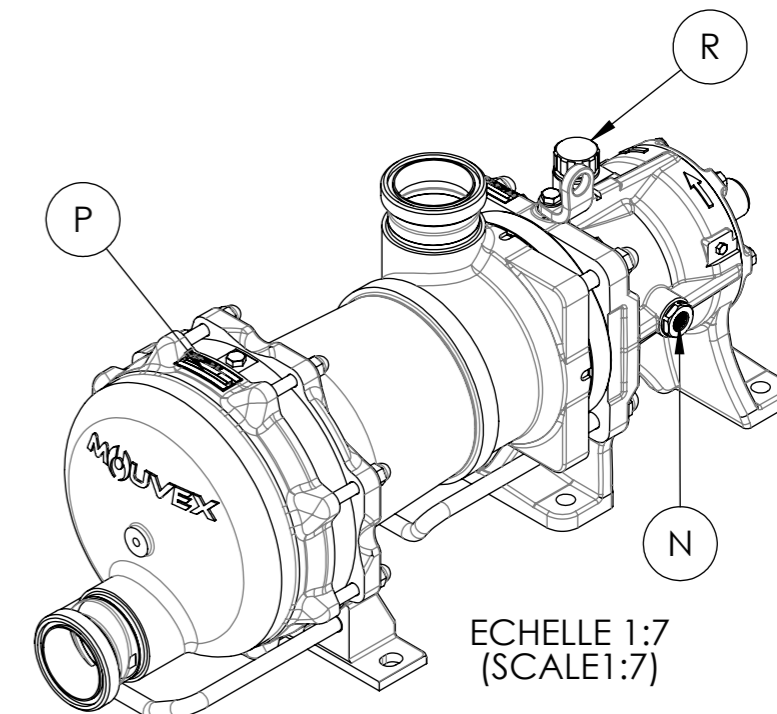


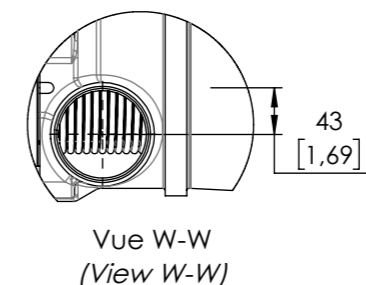
REVISIONS

ECN	REV.	DESCRIPTION
843	A	SEND TO PRODUCTION

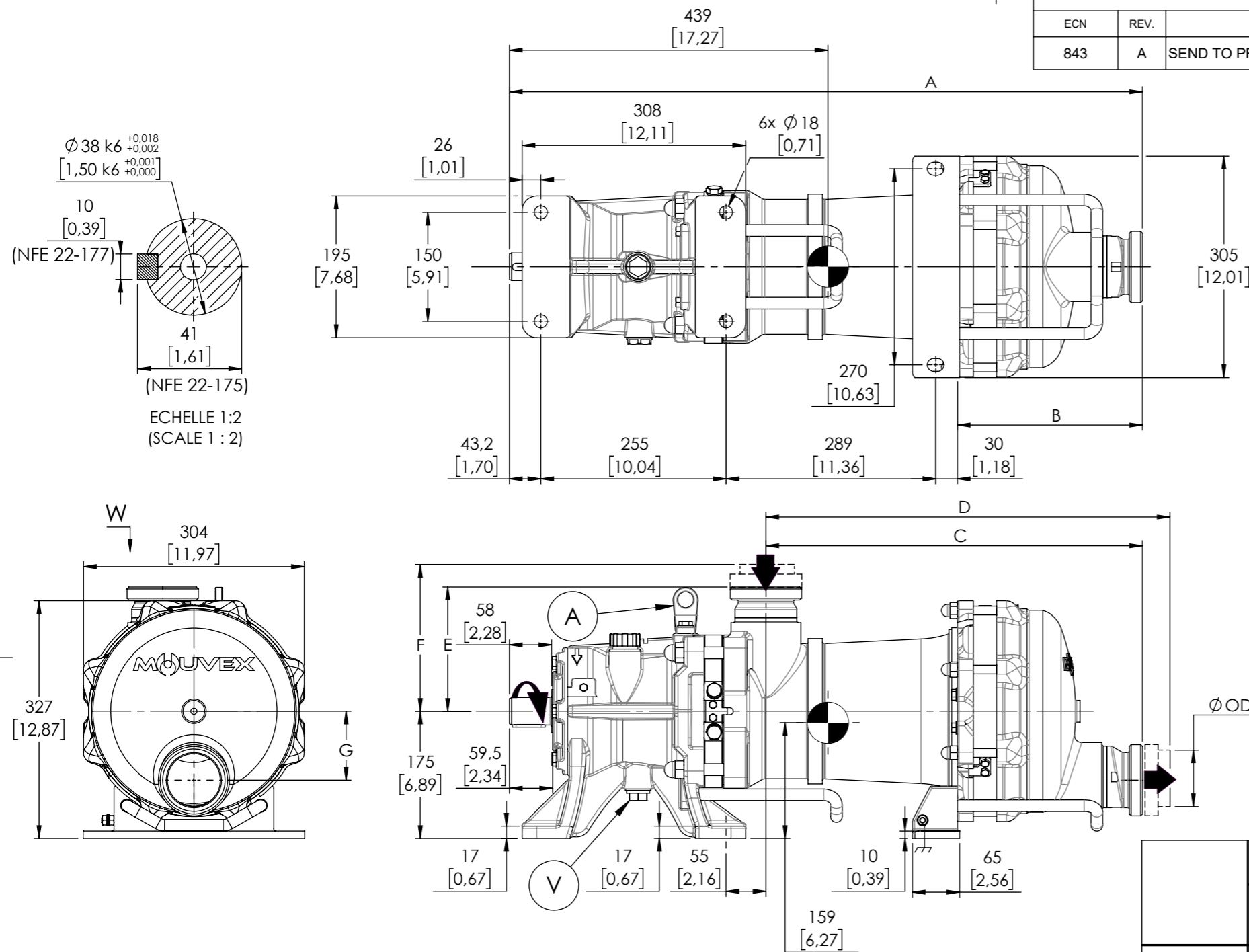
Pompe H-FLO 25 avec raccords
Pump H-FLO 25 with connections



ECHELLE 1:7
(SCALE 1:7)



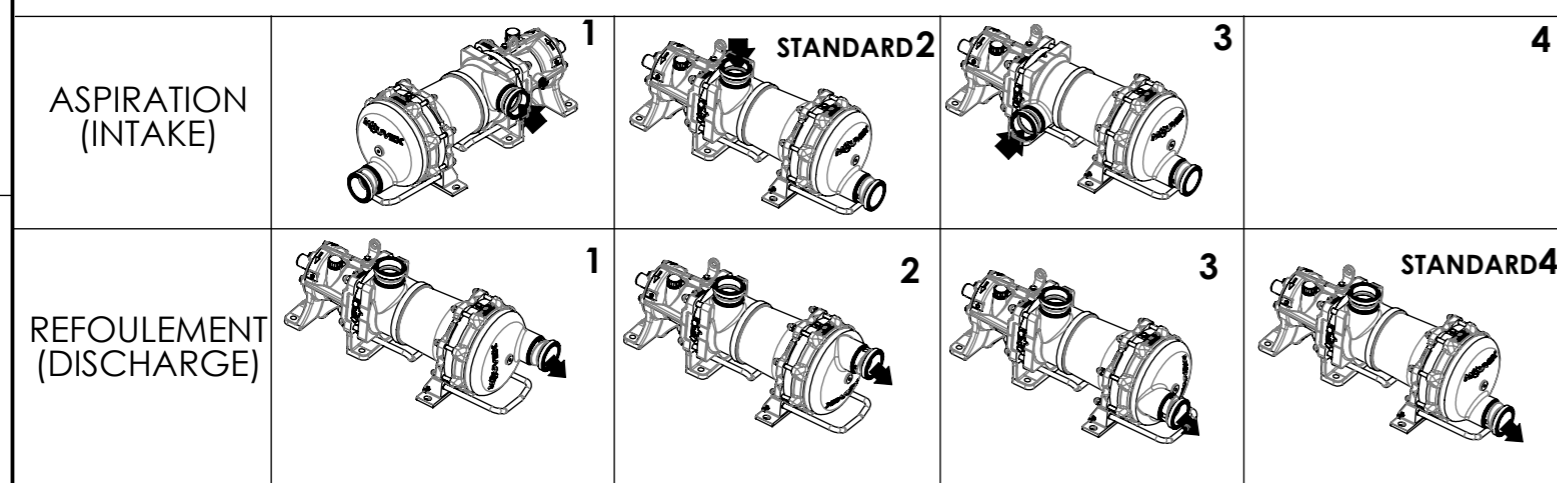
P	Plaque pompe (Pump's name plate)
R	Remplissage / Reniflard (Filling / Breather)
V	Vidange (Drain)
N	Niveau d'huile (Oil level)
A	Anneau de levage (Lifting ring)



RACCORDS (CONNECTIONS)

	DN	A	B	C	D	E	F	G	ØOD x T	STANDARD Masse -kg- (Weight -lb-)
SMS 1145	76 [2,992]	872 [34,331]	255 [10,039]	518,5 [20,413]	537,5 [21,161]	171 [6,732]	190 [7,48]	95 [3,74]	76 x 1,6 [2,992 x 0,063]	122 [269]
Clamp (ISO 2852)	76 [2,992]	867 [34,134]	250 [9,843]	514 [20,236]	542,5 [21,358]	165 [6,496]	193,5 [7,618]	94,7 [3,728]	76 x 1,6 [2,992 x 0,063]	122 [269]
Clamp ASME-BPE (2009)	76 [2,992]	902 [35,512]	285 [11,22]	549 [21,614]	578 [22,756]	201 [7,913]	230 [9,055]	94,6 [3,724]	76,2 x 1,6 [3 x 0,063]	122 [269]
DIN 11851	80 [3,15]	868 [34,173]	251 [9,882]	514,5 [20,256]	544,5 [21,437]	174 [6,85]	204 [8,031]	90,5 [3,563]	85 x 2 [3,346 x 0,079]	122 [269]

POSITIONS POSSIBLES (POSSIBLE POSITIONS)



UNLESS OTHERWISE SPECIFIED, ALL DIMENSIONS ARE IN mm

	NAME	DATE	PROJECTION FIRST ANGLE
DRAWN	MS	2021-07-21	
APPV'D	JÉ	2021-09-10	

PSG a **MUVEX** company
 MUVEX Z.I. Plaine des Isles
 Rue des Caillottes
 89000 AUXERRE - FRANCE
 ☎ (33) 3.86.49.86.30 - 📠 (33) 3.86.46.42.10

DRAWING N°	M001777A1	REV :	A
WEIGHT: -	SCALE: 1:7	DO NOT SCALE DRAWING	SIZE : A3 SHEET 1 OF 1