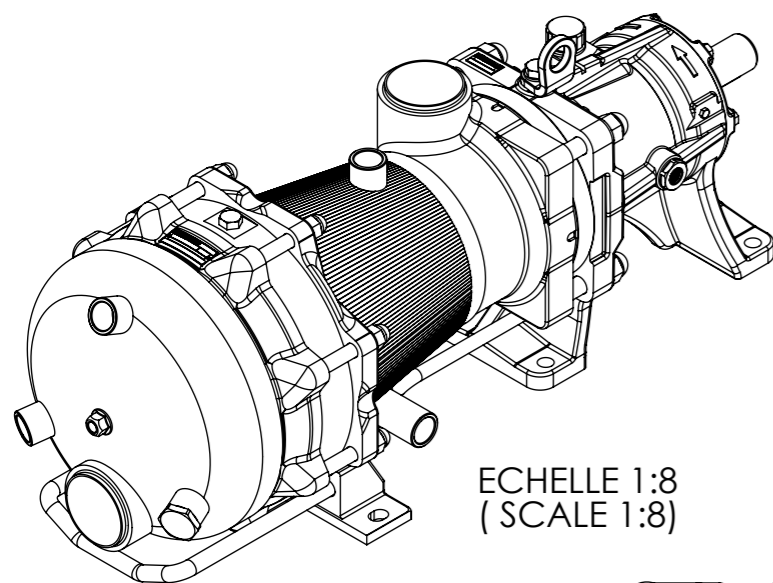
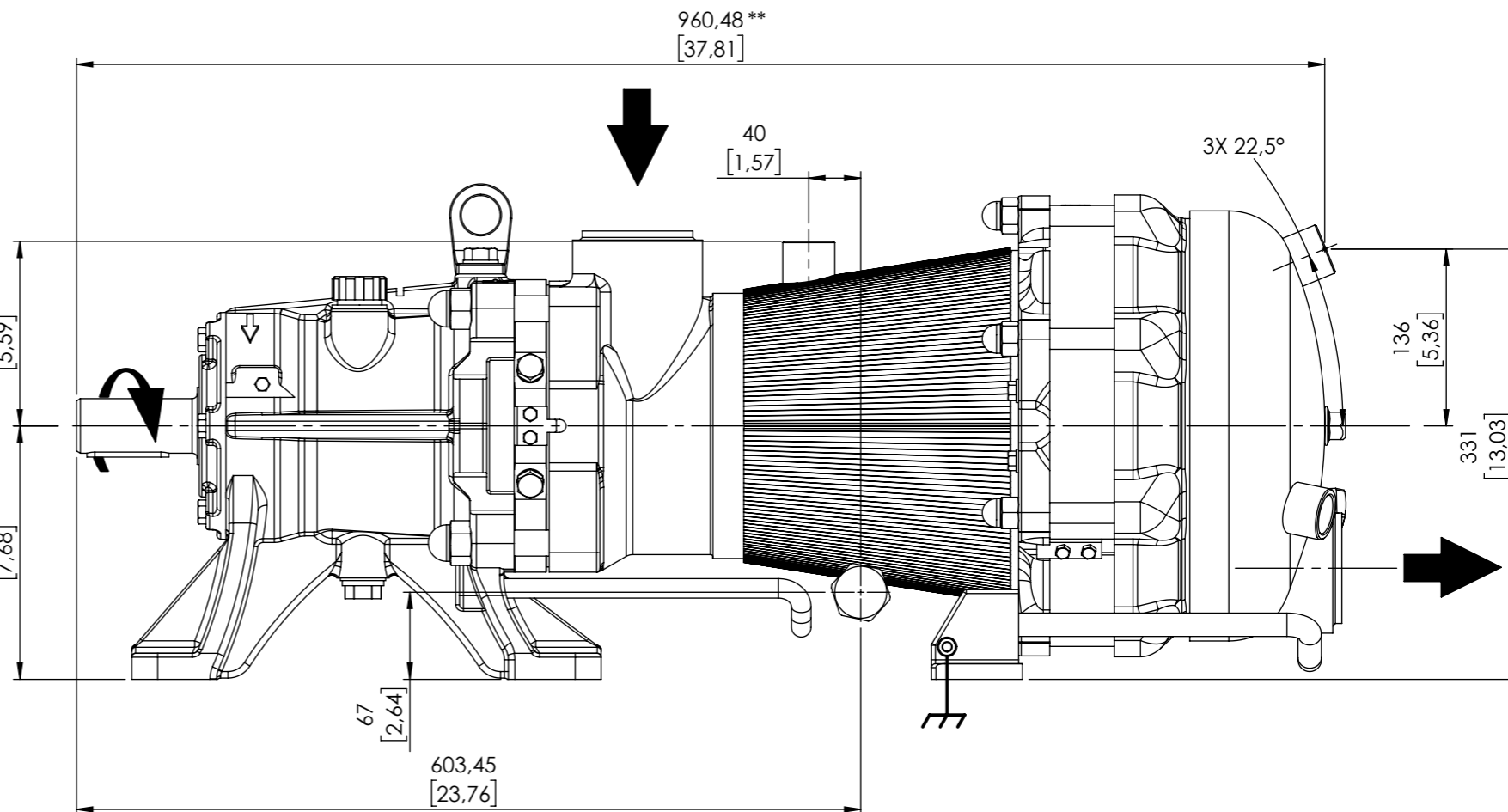
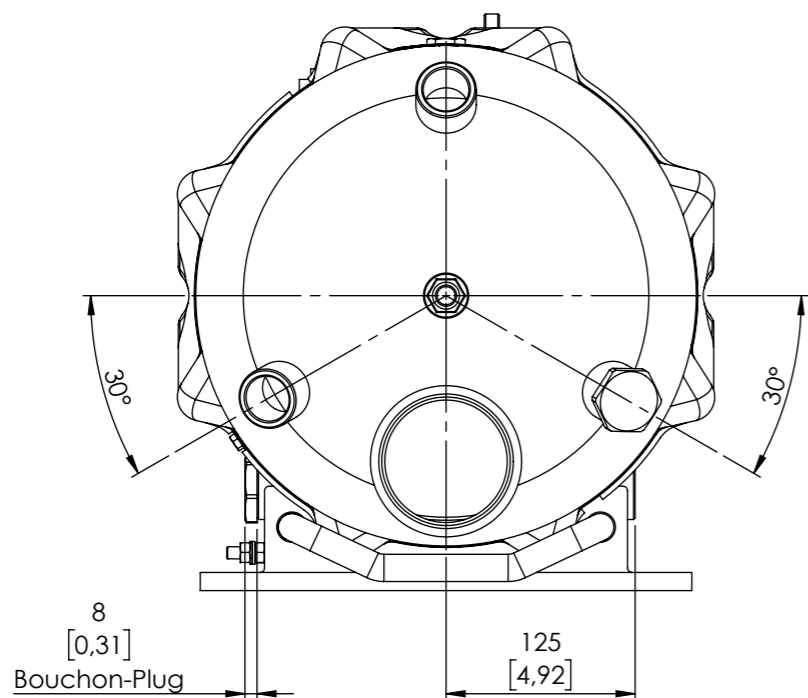


REVISIONS		
ECN	REV.	DESCRIPTION
M3702	C	Update description thread 1" B.S.P.F => 1" B.S.P.P in E4

**Pompe H-FLO/G-FLO 40 Enveloppe réchauffage**  
**Pump H-FLO/G-FLO 40 Heating Jacket**

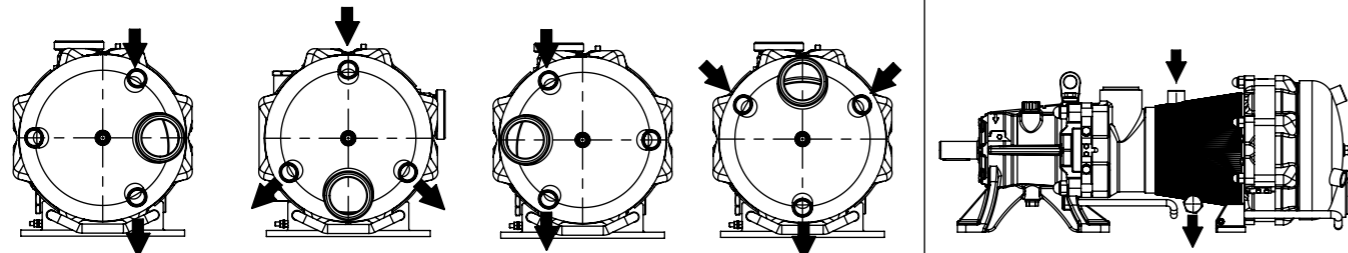


ECHELLE 1:8  
(SCALE 1:8)



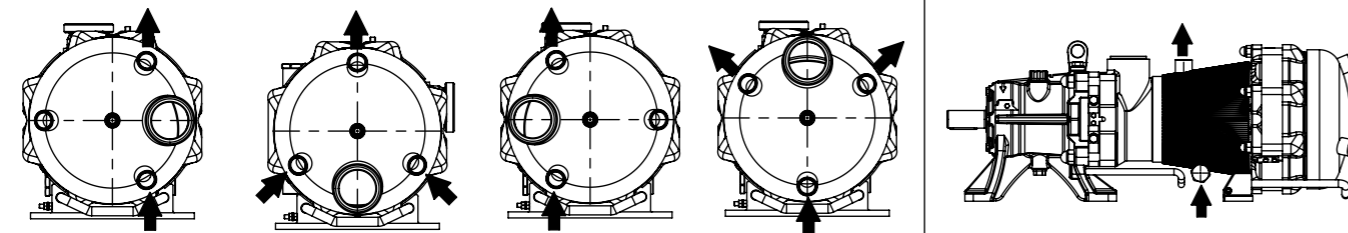
**RACCORDEMENT DE L'ENVELOPPE (JACKET CONNECTION) : 1" GAZ CYLINDRIQUE FEMELLE (1" B.S.P.P)**

VAPEUR (STEAM)



Le raccordement de l'entrée peut se faire sur un 1 ou 2 points.  
(the inlet connection may be connected to 1 or 2 points.)

LIQUIDE (LIQUID)



Le raccordement de la sortie peut se faire sur un 1 ou 2 points.  
(the outlet connection may be connected to 1 or 2 points.)

**NOTA:**

-POUR LES AUTRES COTES VOIR LE PLAN D'ENCOMBREMENT SPECIFIQUE AU RACCORD (POIDS : AJOUTER 13 kg POUR H-FLO/G-FLO 40 ).  
 \*\*AJOUTER 8MM SI CE RACCORD EST FERMÉE AVEC LE BOUCHON

**(NOTE:**

-OTHER DIMENSIONS: REFER TO THE DIMENSIONAL DRAWING CORRESPONDING WITH THE CONNECTION (WEIGHT: ADD 13 kg FOR H-FLO/G-FLO 40).  
 \*\* ADD 8MM IF THIS CONNECTION IS CLOSED WITH PLUG

UNLESS OTHERWISE SPECIFIED, ALL DIMENSIONS ARE IN mm

	NAME	DATE	PROJECTION FIRST ANGLE
DRAWN	RVB	2019-12-11	
APPV'D	FP	2023-03-01	

THIS DOCUMENT CONTAINS PROPRIETARY INFORMATION OF PSG - A DOVER COMPANY. ITS RECEIPT AND POSSESSION DO NOT CONVEY ANY RIGHTS TO REPRODUCE OR DISCLOSE ITS CONTENTS OR TO MANUFACTURE OR SELL ANYTHING IT MAY DESCRIBE. THIS DOCUMENT IS SUBJECT TO RETURN UPON REQUEST. REPRODUCTION, DISCLOSURE OR USE OF THIS DOCUMENT WITHOUT THE WRITTEN AUTHORIZATION OF DOVER CORPORATION IS STRICTLY FORBIDDEN.

WEIGHT: SEE NOTE

SCALE: 1:5 DO NOT SCALE DRAWING



**MOUVEX** Z.I. Plaine des Isles  
 Rue des Caillottes  
 89000 AUXERRE - FRANCE  
 ☎ (33) 3.86.49.86.30 - 📠 (33) 3.86.46.42.10

DRAWING N° **M001484A4** REV: **C**

SIZE : A3 SHEET 1 OF 1