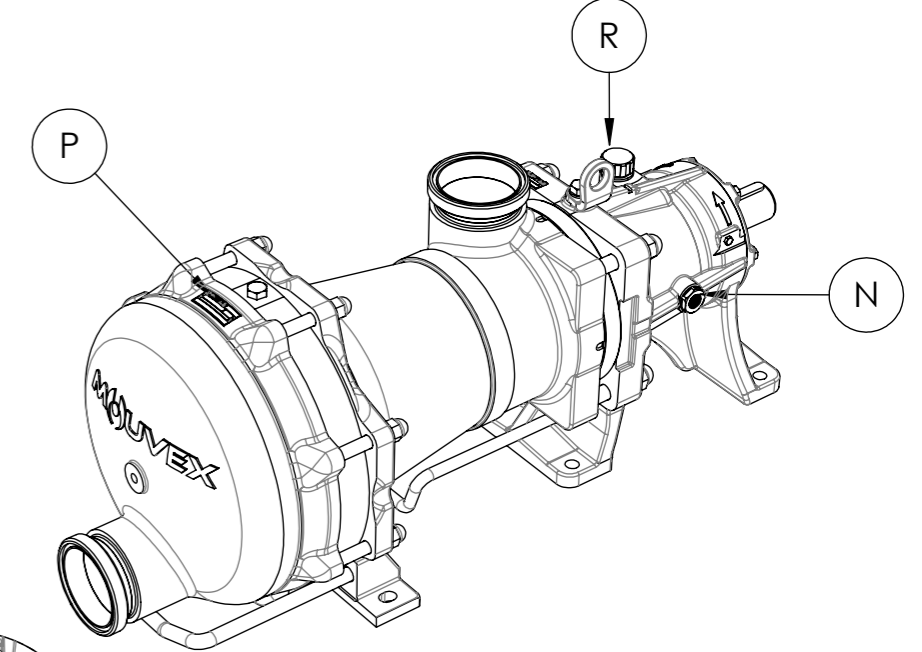


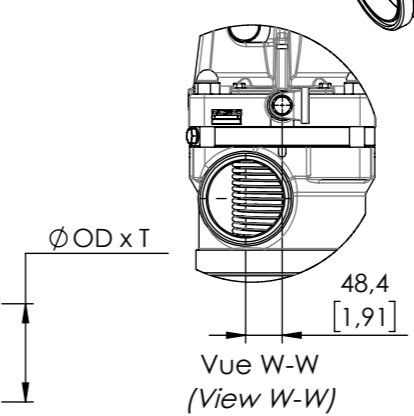
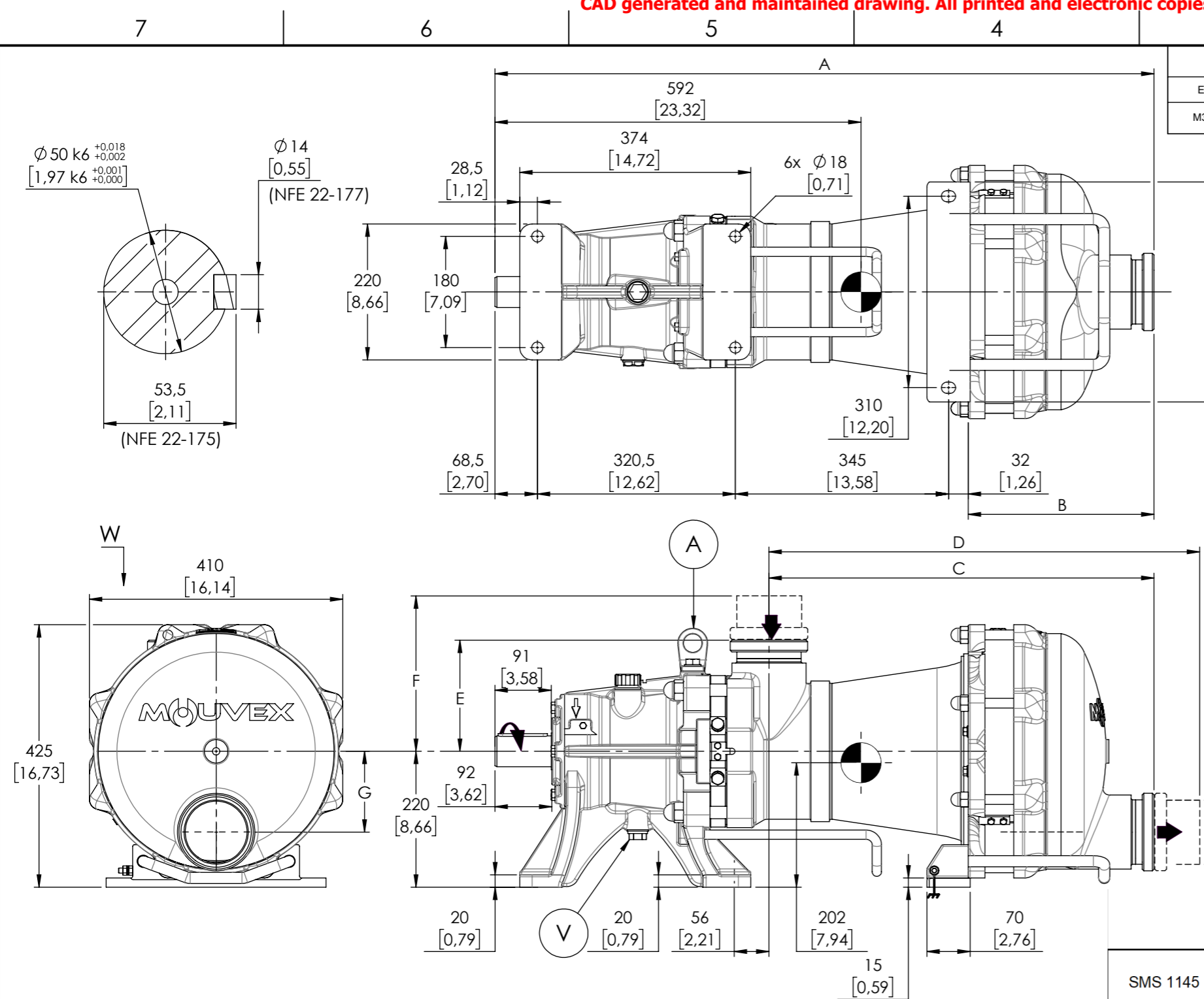
REVISIONS

ECN	REV.	DESCRIPTION
M3731	C	Ajout valeurs de la cote G + mise à jour valeurs de la cote OD x T du clamp ISO

Pompe H-FLO 50 avec Raccords
Pump H-FLO 50 with connections

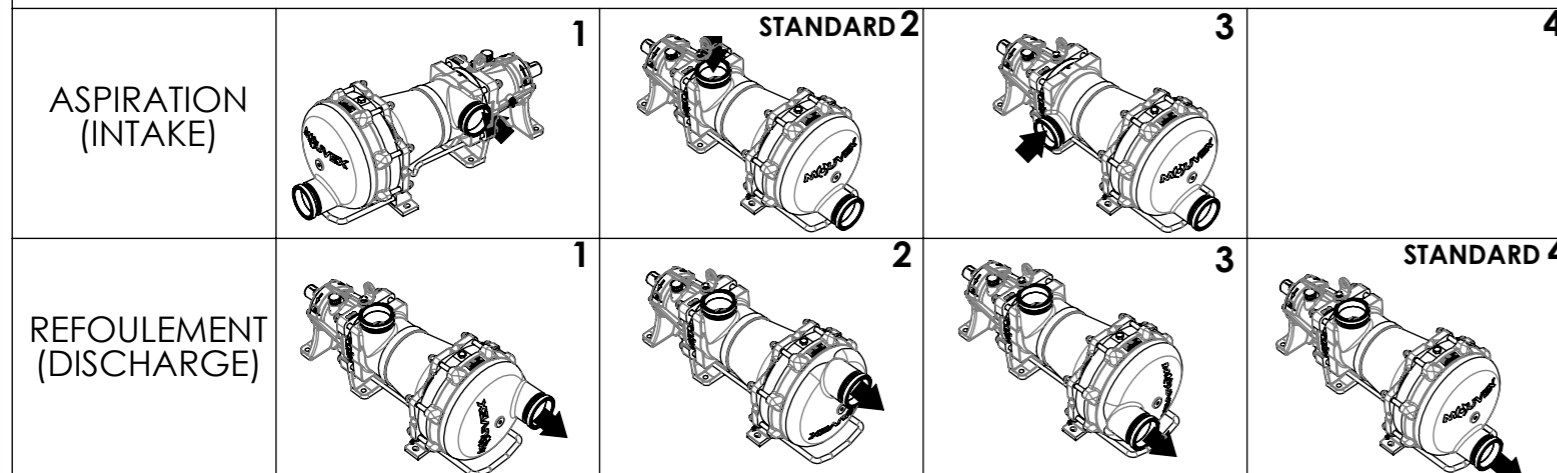


P	Plaque pompe (Pump's name plate)
R	Remplissage / Reniflard (Filling / Breather)
V	Vidange (Drain)
N	Niveau d'huile (Oil level)
A	Patte d'élingage (Slings tab)



	DN	A	B	C	D	E	F	G	OD x T	Masse -kg- (Weight -lb-)
SMS 1145	104 [4,094]	1066,5 [41,988]	300,5 [11,831]	623 [24,528]	642 [25,276]	180 [7,087]	199 [7,835]	130,7 [5,146]	104 x 2 [4,094 x 0,079]	225 [497]
Clamp (ISO 2852)	100 [3,937]	1066,5 [41,988]	300,5 [11,831]	623 [24,528]	651,6 [25,654]	180 [7,087]	208,6 [8,213]	132 [5,197]	102,5 x 2,45 [4,035 x 0,096]	225 [497]
Clamp ASME-BPE (2009)	100 [3,937]	1091 [42,953]	325 [12,795]	647,5 [25,492]	676,2 [26,622]	204 [8,031]	232,7 [9,161]	132 [5,197]	101,6 x 2,1 [4 x 0,083]	225 [497]
DIN 11851	100 [3,937]	1090,5 [42,933]	324,5 [12,776]	647 [25,472]	691 [27,205]	204 [8,031]	248 [9,764]	130,7 [5,146]	104 x 2 [4,094 x 0,079]	225 [497]

POSITIONS POSSIBLES (POSSIBLE POSITIONS)



COMMENTS OR DIMENSIONS IN BRACKETS ARE INDICATIVE
UNLESS OTHERWISE SPECIFIED, ALL DIMENSIONS ARE IN

NAME	DATE	PROJECTION
DRAWN MS	2020-11-13	FIRST ANGLE
APPV'D AW	2023-04-21	

PSG
a DOVER company

M(U)UVEX
Z.I. Plaine des Isles
Rue des Caillottes
89000 AUXERRE - FRANCE
☎ : (33) 3.86.49.86.30
✉ : (33) 3.86.46.42.10

DRAWING N°: **M001464A1** REV: **C**

SCALE: 1:10 DO NOT SCALE DRAWING SIZE: A3 SHEET 1 OF 1

THIS DOCUMENT CONTAINS PROPRIETARY INFORMATION OF PSG - A DOVER COMPANY. ITS RECEIPT AND POSSESSION DO NOT CONVEY ANY RIGHTS TO REPRODUCE OR DISCLOSE ITS CONTENTS OR TO MANUFACTURE USE OR SELL ANYTHING IT MAY DESCRIBE. THIS DOCUMENT IS SUBJECT TO RETURN UPON REQUEST. REPRODUCTION, DISCLOSURE OR USE OF THIS DOCUMENT WITHOUT THE WRITTEN AUTHORIZATION OF DOVER CORPORATION IS STRICTLY FORBIDDEN.