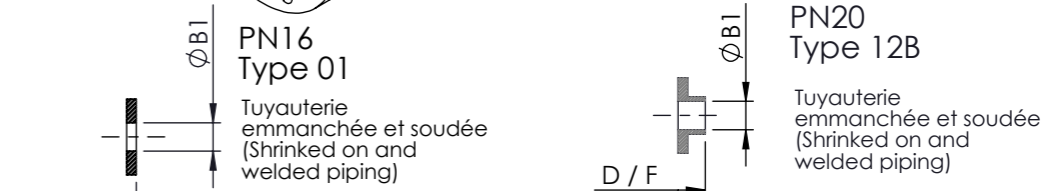
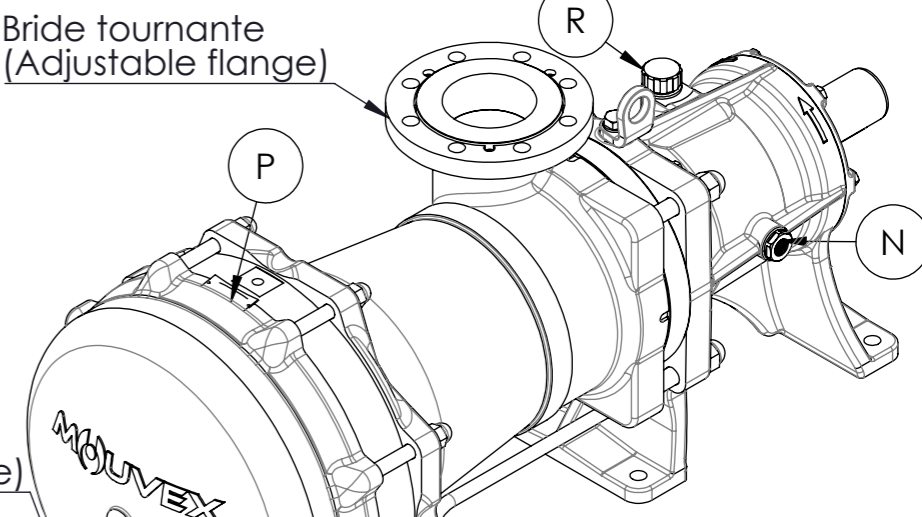


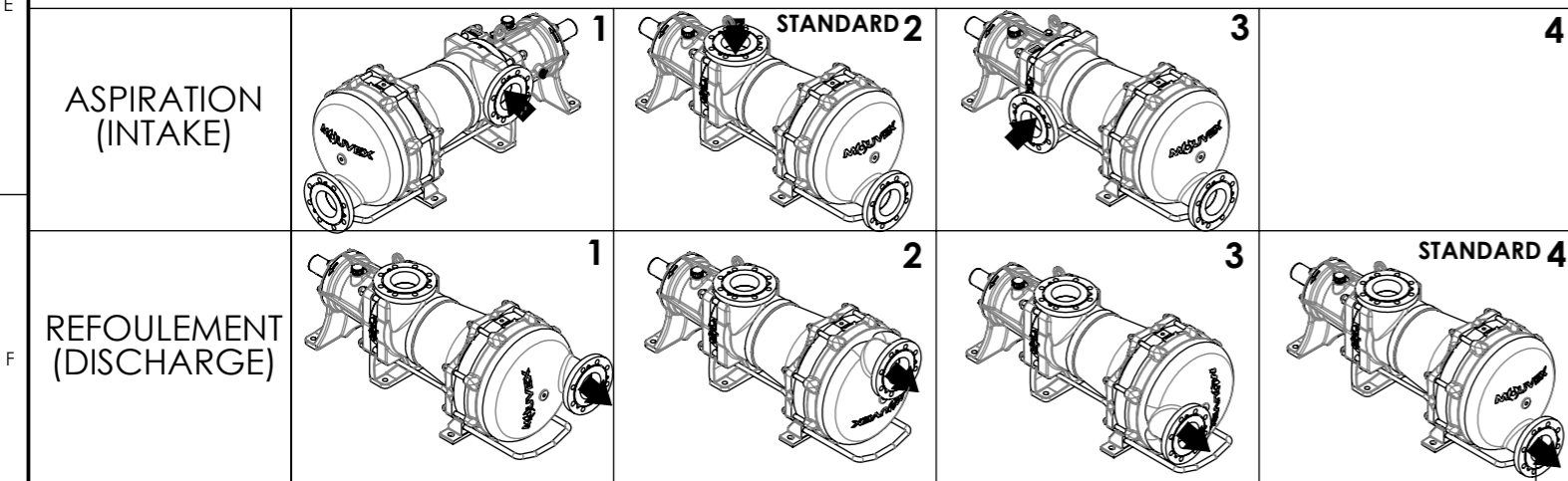
REVISIONS		
ECN	REV.	DESCRIPTION
C824	A	SEND TO PRODUCTION

Pompe G-FLO 65 Avec brides tournantes
Pump G-FLO 65 With rotating flanges



P	Plaque pompe (Pump's name plate)
R	Remplissage / Reniflard (Filling / Breather)
V	Vidange (Drain)
N	Niveau d'huile (Oil level)
A	Anneau de levage (Lifting ring)

POSITIONS POSSIBLES (POSSIBLE POSITIONS)



	BRIDES (FLANGES)												
	DN	A	B	ØB1	C	D	E	F	ØG	ØK	ØL	M (nb holes / trous)	Masse -kg- (Weight -lb-)
PN16 (EN 1092-1)	100	1194	331	116	689,5	711,5	211	233	220	180	18	8	320
	[3,937]	[47,008]	[13,031]	[4,567]	[27,146]	[28,012]	[8,307]	[9,173]	[8,661]	[7,087]	[0,709]		[706]
PN20 (ANSI/ASME B16.5)	100	1194	331	116	689,5	723,5	211	245	230	190,5	19	8	320
	[3,937]	[47,008]	[13,031]	[4,567]	[27,146]	[28,484]	[8,307]	[9,646]	[9,055]	[7,5]	[0,748]		[706]

UNLESS OTHERWISE SPECIFIED, ALL DIMENSIONS ARE IN MM

NAME	DATE	PROJECTION FIRST ANGLE
DRAWN: KK	2020-04-07	
APPV'D: CT	2022-01-04	

WEIGHT: SCALE: 1:10 | DO NOT SCALE DRAWING | SIZE: A3 | SHEET 1 OF 1

PSG a mouvex company

Mouvex Z.I. Plaine des Isles
Rue des Caillottes
89000 AUXERRE - FRANCE
☎: (33) 3.86.49.86.30 - 📠: (33) 3.86.46.42.10

DRAWING N° **M-001300A1** REV: **A**