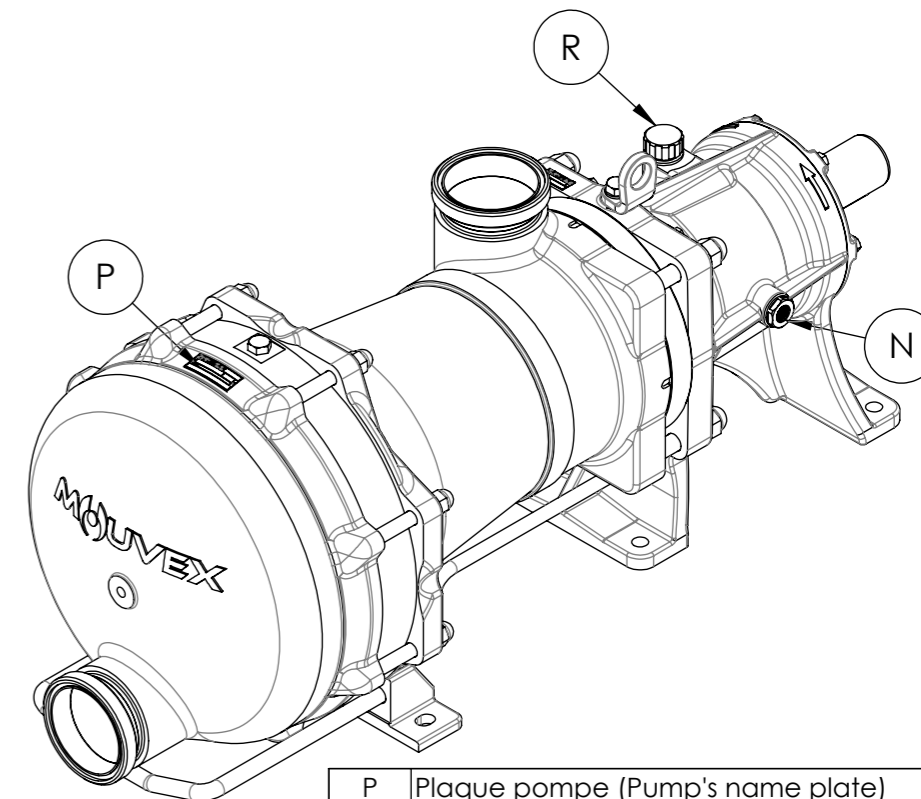


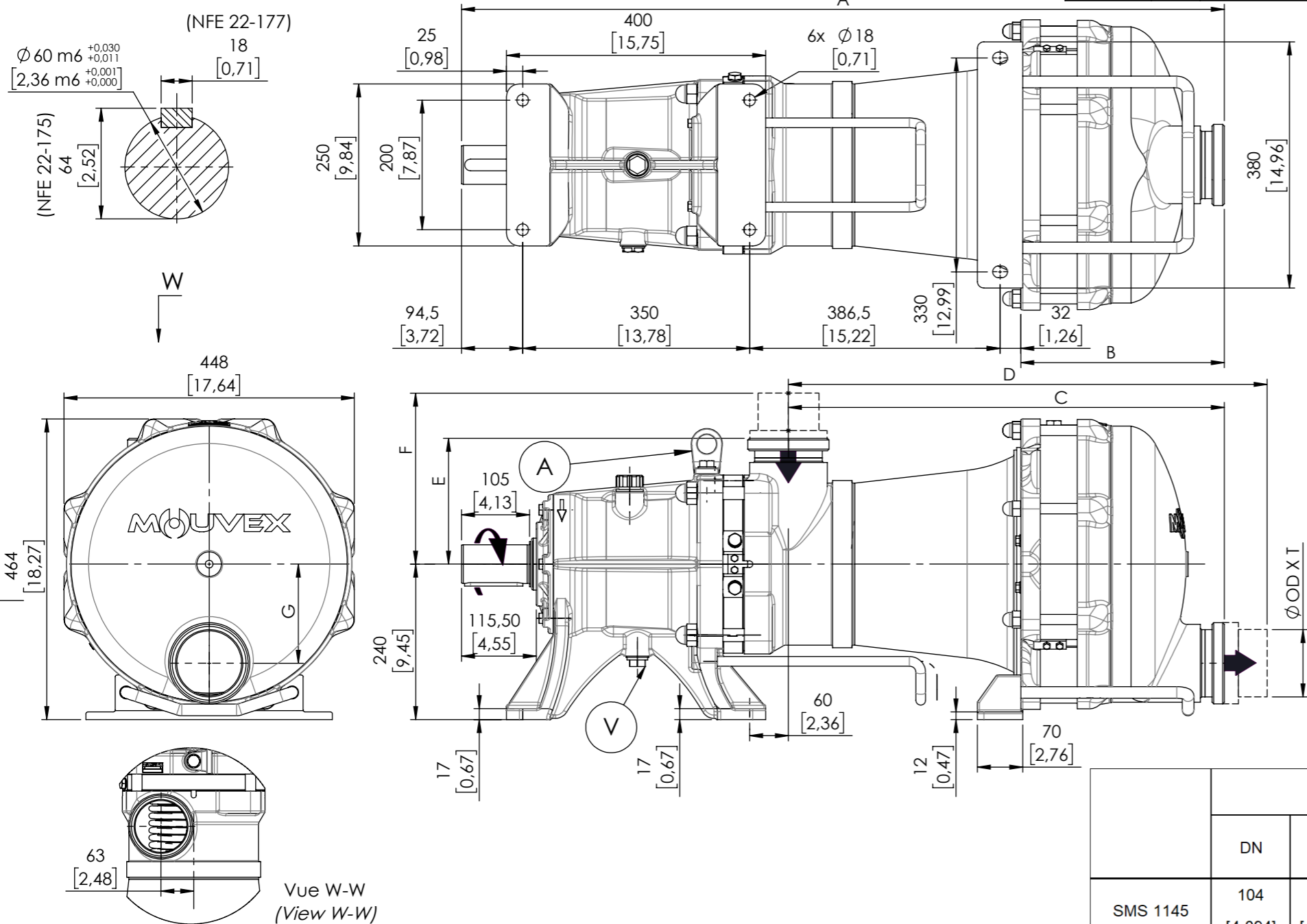
REVISIONS

ECN	REV.	DESCRIPTION
M3733	C	Ajout valeurs de la cote G + mise à jour valeurs de la cote OD x T du clamp ISO

Pompe H-FLO_G-FLO 65
Pump H-FLO_G-FLO 65



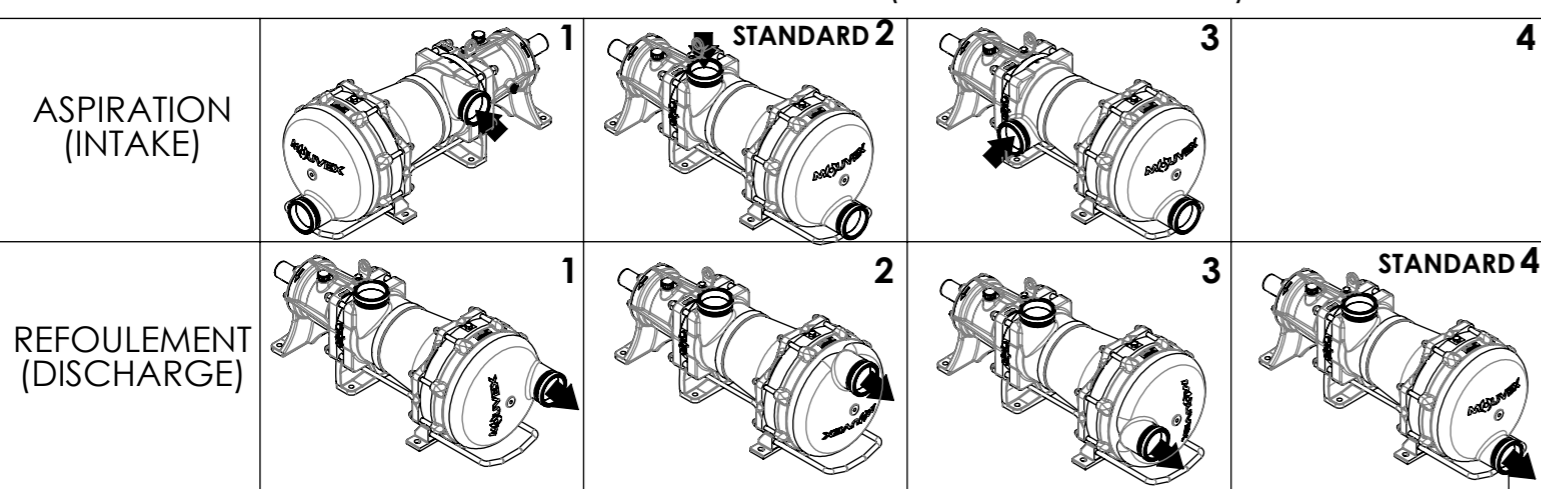
P	Plaque pompe (Pump's name plate)
R	Remplissage / Reniflard (Filling / Breather)
V	Vidange (Drain)
N	Niveau d'huile (Oil level)
A	Anneau de levage (Lifting ring)



RACCORDS (CONNECTIONS)

	DN	A	B	C	D	E	F	G	OD x T	STANDARD Masse -kg- (Weight -lb-)
SMS 1145	104 [4,094]	1177 [46,339]	314 [12,362]	672,5 [26,476]	691,5 [27,224]	194 [7,638]	213 [8,386]	153 [6,024]	104 x 2 [4,094 x 0,079]	315 [695]
Clamp (ISO 2852)	100 [3,937]	1177 [46,339]	314 [12,362]	672,5 [26,476]	704,2 [27,724]	194 [7,638]	225,7 [8,886]	154,2 [6,071]	102,5 x 2,45 [4,035 x 0,096]	315 [695]
Clamp ASME-BPE (2009)	100 [3,937]	1201 [47,283]	338 [13,307]	696,5 [27,421]	711 [27,992]	218 [8,583]	232,5 [9,154]	154,2 [6,071]	101,60 x 2,11 [4 x 0,083]	315 [695]
DIN 11851	100 [3,937]	1201 [47,283]	338 [13,307]	696,5 [27,421]	731,5 [28,799]	218 [8,583]	253 [9,961]	153 [6,024]	104 x 2 [4,094 x 0,079]	315 [695]

POSITIONS POSSIBLES (POSSIBLE POSITIONS)



UNLESS OTHERWISE SPECIFIED, ALL DIMENSIONS ARE IN MM

	NAME	DATE	PROJECTION FIRST ANGLE
DRAWN	MS	2020-11-23	
APPV'D	JÉ	2023-04-21	

PSG a **DOVER** company
MOUVEX Z.I. Plaine des Isles
 Rue des Caillottes
 89000 AUXERRE - FRANCE
 ☎ (33) 3.86.49.86.30 📠 (33) 3.86.46.42.10

DRAWING N°	REV.
M001285A1	C

WEIGHT: -
 SCALE: 1:10 | DO NOT SCALE DRAWING | SIZE: A3 | SHEET 1 OF 1