



MISTRAL Screw Compressor

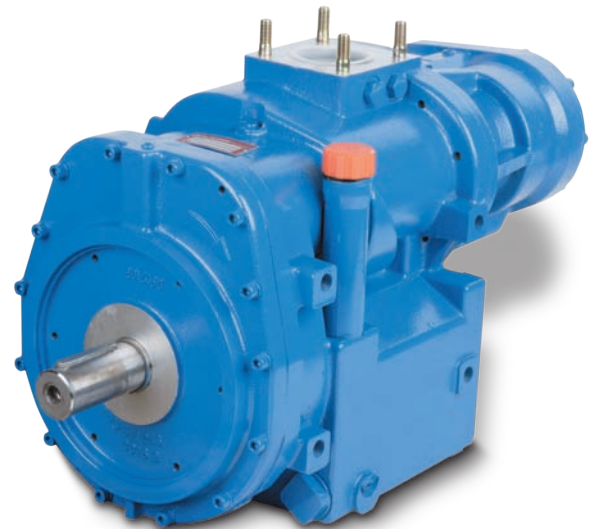




The Multipurpose Solution for Mounting Inside Truck Frame

MISTRAL-20R:1200 – 2000 rpm CW **MISTRAL-30R:**1800 – 3000 rpm CW **Dimensions:**

L 587 x H 355 x W 280 mm

Weight:

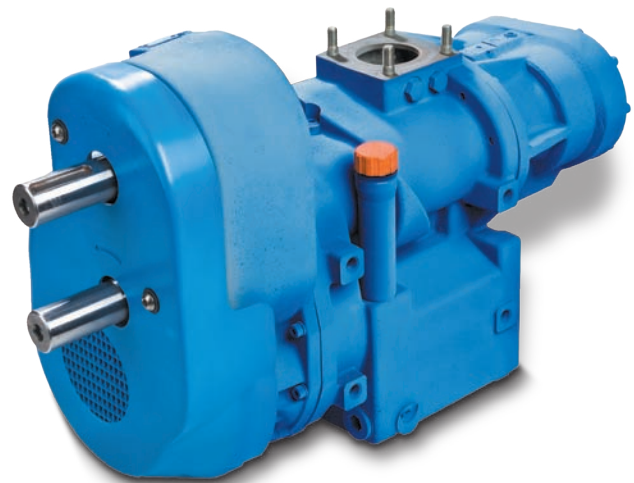
115 kg

**MISTRAL-13R/15L:**Either 780 – 1300 rpm CW 
or 900 – 1500 rpm CCW **MISTRAL-19R/22L:**Either 1170 – 1950 rpm CW 
or 1320 – 2250 rpm CCW **Dimensions:**

L 723 x H 442 x W 295 mm

Weight:

145 kg



Flow rates 365 to 750 m³/h



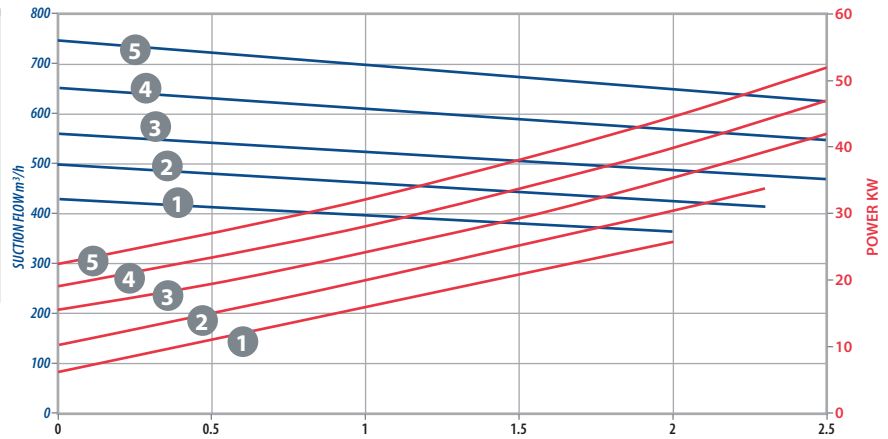
MISTRAL Screw Compressor

The Multipurpose Solution for Mounting Inside Truck Frame

Compressor Speed (rpm)

Model	1	2	3	4	5
13R	780	910	1040	1170	1300
15L	900	1050	1200	1350	1500
19R	1170	1365	1560	1755	1950
20R	1200	1400	1600	1800	2000
22L	1320	1580	1800	2035	2250
30R	1800	2100	2400	2700	3000

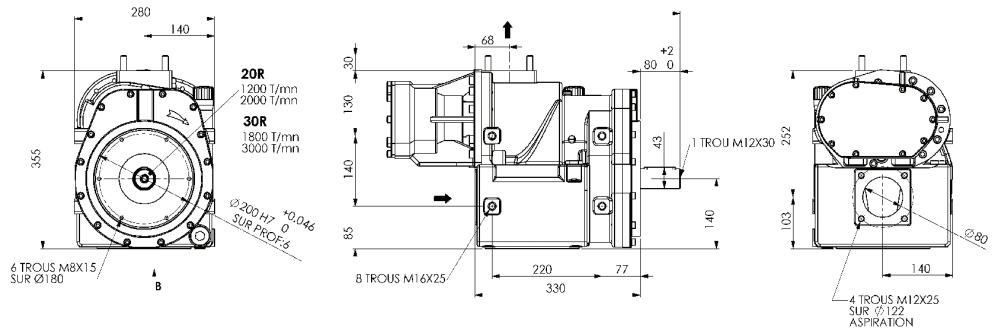
Flow (m³/hr) / Power (kW)



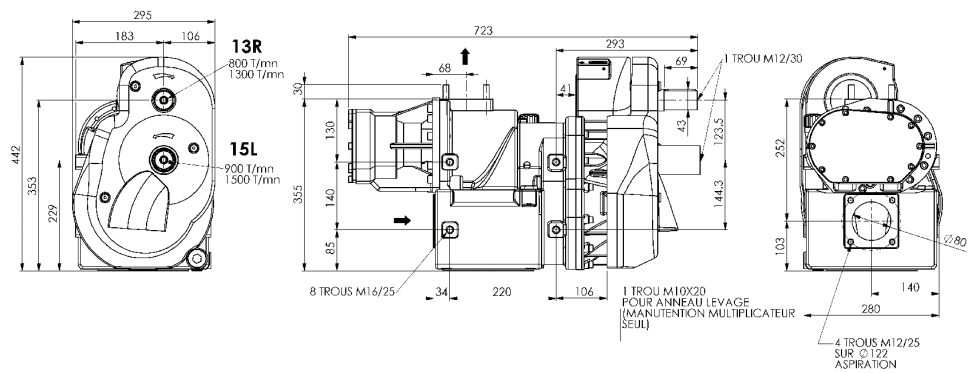
Torque / Pressure (Nm)

Model	Pressure (bar) At Full Speed		
	1.5	2.0	2.5
13R	280	320	380
15L	240	280	330
19R	190	220	260
20R	180	210	250
22L	160	190	230
30R	120	140	170

MISTRAL Screw Compressor 20R and 30R



MISTRAL Screw Compressor with Multiplier 13R/15L and 19R/22L



Authorized PSG® Partner:

ZI la Plaine des Isles • 2 rue des Caillottes
F-89000 AUXERRE - FRANCE
Tel: + 33.3.86.49.86.30 • Fax: + 33.3.86.46.42.10
contact@mouvex.com
mouvex.com