

G-FLO Series

SEAL-LESS ECCENTRIC DISC PUMP

*** NEW ***
Flow Rates
Up To
65 m³/h



Where Innovation Flows



Introducing the Seal-Less Eccentric Disc Transfer Solution for Chemical & Industrial Applications Requiring High Flow Rates

Mouvex® G-FLO Series Seal-Less Eccentric Disc Pumps are designed to provide premium performance and the ultimate in full containment and safety in chemical-processing and industrial applications, delivering high suction vacuum and high discharge pressure that allow it to self-prime and fully maximize product containment. G-FLO Series pumps are ideally suited for the safe transfer of critical high-value fluids.



Mouvex G-FLO Series | Eccentric Disc Pump



SEAL-LESS DESIGN

The unique seal-less design features a triple stainless steel bellows that ensures durability, safety and product containment. The G-FLO Series provides high suction vacuum and high discharge pressure, which allows it to self-prime and fully strip lines, maximizing product recovery.

RUN DRY CAPABILITY

The G-FLO Series can run dry for up to five minutes, and the self-compensating eccentric disc principle provides consistent flow rates over a long period of time. The flow rate is extremely accurate even at low speeds.

DEPENDABLE

Fewer moving parts results in reduced maintenance and downtime.

ADVANTAGES

- Provides consistent and efficient flow with a wide range of viscosities
- Flow rate up to 65 m³/h (286 gpm), 10 bar (145 psi)
- Eccentric disc design allows for consistent flow and improved energy savings
- Extremely gentle, pulse-free flow to protect shear-sensitive products
- Reduced maintenance with no mechanical seals or timing gears
- Easy to install

OPTIONS

- ISO PN 20 flanges / ANSI 150 flanges
- ISO PN 16 flanges
- Heating Jacket



OPERATION

- **Principle:** Eccentric disc, positive displacement
- **Installation:** Can be base mounted

CONSTRUCTION

- All stainless steel construction
- Shaft sealed by triple stainless steel bellows
- O-ring seals in FKM, encapsulated FEP, or EPDM

CERTIFICATIONS



Mouvex G-FLO Series | General Information

FEATURES & BENEFITS:

- Seal-less design eliminates leakage
- Ability to strip and drain transfer piping/tubing
- Line-stripping capabilities
- Self-priming
- Strong suction and discharge pressure
- Ability to handle shear-sensitive products
- Consistent flow rate independent of pressure
- Low linear speed
- Precise dosing
- Accurate volume metering with high turn down
- Dry-run capable
- Maintains consistent performance over time
- Effective with both high- and low-viscosity fluids
- Full drainability
- Easy integration

APPLICATIONS:

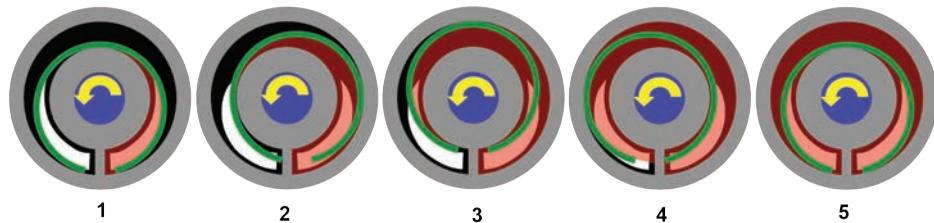
Suitable for most chemical and industrial transfer applications, in particular those that require consistent non-pulsing flow and gentle fluid handling (low shear rates), such as:

- Polymer emulsions
- Isocyanates
- Polyols
- Alcohol
- Acid
- Additives
- Solvents
- Glues: Starch, latex, etc.
- Paint & coatings: Paints, inks, resins, etc.
- Methacrylate
- Soda
- Ether
- Detergents

MOUVEX TECHNOLOGY

Eccentric disc pumps consist of a cylinder and pumping element mounted on an eccentric shaft. As the eccentric shaft is rotated, the pumping element forms chambers within the cylinder, which increase in size at the intake port, drawing fluid into the pumping chamber. The fluid is transported to the discharge port where the pumping chamber size is decreased. This action squeezes the fluid out into the discharge piping.

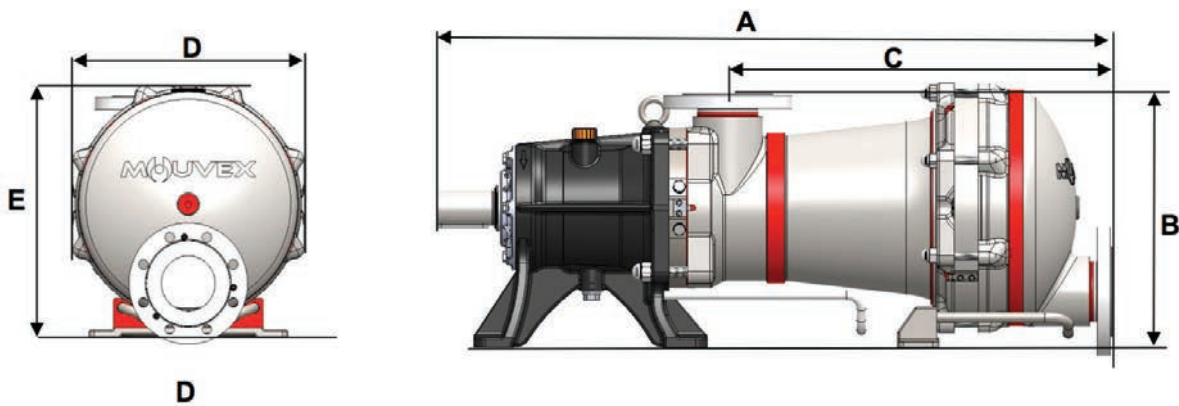
MOUVEX PRINCIPLE



Mouvex G-FLO Series | Performance Data

PUMP MODEL	MAXIMUM FLOW RATE		MAXIMUM SPEED	MAXIMUM OUTPUT PRESSURE		MAXIMUM TEMPERATURE	
	m ³ /h	gpm	rpm	bar	psi	°C	°F
G-FLO 65-S	65	286.2	350	7	101	100	212
G-FLO 65-HP	50	220	350	10	145	100	212
G-FLO 50	50	220	400	10	145	100	212
G-FLO 40	40	176	450	10	145	100	212

Mouvex G-FLO Series | Dimensions



PUMP MODEL	DN mm (in)	A mm (in)	B mm (in)	C mm (in)	D mm (in)	E mm (in)	Weight kg (lbs)
G-FLO 65-S	100 (3.94)	1194 (47.01)	451 (17.58)	689.5 (27.15)	448 (17.64)	464 (18.27)	321 (708)
G-FLO 65-HP	100 (3.94)	1194 (47.01)	451 (17.58)	689.5 (27.15)	448 (17.64)	464 (18.27)	315 (695)
G-FLO 50	100 (3.94)	1083.5 (42.66)	417 (16.42)	640 (25.20)	410 (16.14)	425 (16.73)	232 (512)
G-FLO 40	76 (3)	1015.5 (39.98)	387 (15.24)	584 (22.99)	354 (13.94)	372 (14.65)	182 (402)

(With ISO PN 16 flanges)



PSG

ZI la Plaine des Isles • 2 rue des Caillottes
 F-89000 Auxerre, France
 P: +33 (0) 3 86 49 86 30
 contact.mouvex@psgdover.com
psgdover.com/mouvex

Where Innovation Flows



MX-10310-F-02-A4

Authorized PSG® Partner:

Copyright 2020 PSG®, a Dover company