



INSTRUCTIONS 1401-B00 e

Section	1401
Effective	January 2021
Replaces	August 2020

Original instructions

***Torque limiter
screw compressors
MISTRAL - B600 - TYPHON II - MX12***

INSTALLATION

OPERATION

WARRANTY :

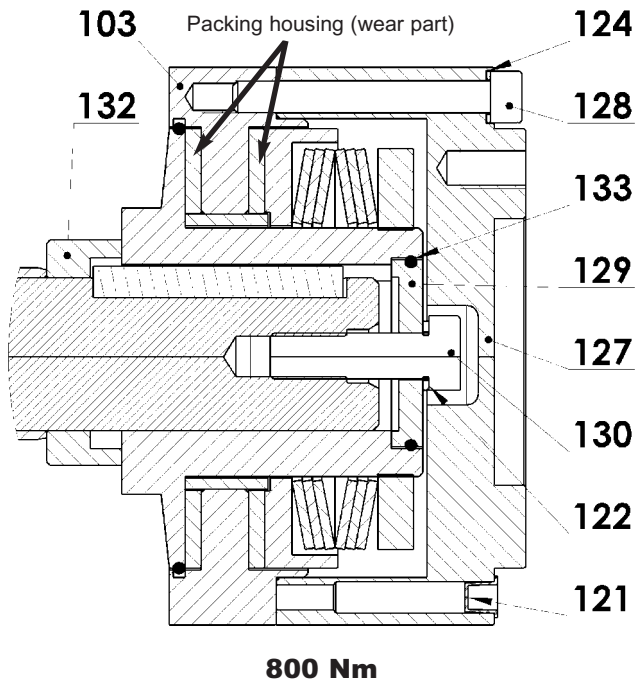
Torque limiters for MISTRAL - B600 - TYPHON II - MX12 are covered 24 months by warranty within the limits mentioned in our General Sales Conditions. In case of a use other than that mentioned in the Instructions manual, and without preliminary agreement of MOUVEX, warranty will be canceled.



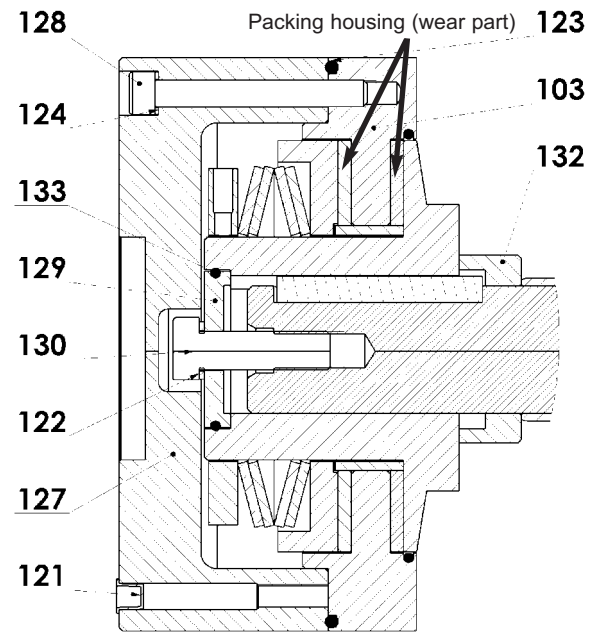
Z.I. La Plaine des Isles - F 89000 AUXERRE - FRANCE
Tel. : +33 (0)3.86.49.86.30 - Fax : +33 (0)3.86.49.87.17
contact.mouvex@psgdover.com - www.mouvex.com

Your distributor :

TORQUE LIMITER - SCREW COMPRESSORS



800 Nm



950 Nm

1. Assembly

The torque limiter is preset at the factory :

- at 800 NmØ ext. : 146 mm
- at 950 NmØ ext. : 180 mm

In no case should this setting be changed.

The table below gives, depending on the compressor and the type of drive, the setting for the suitable MOU-VEX torque limiter.

	30R	20R	19R/22L	13R/15L
B600	800 Nm			
MISTRAL	800 Nm			
TYPHON II	800 Nm			950 Nm

	15R - 15L	18R - 18L	20R - 20L	24R - 24L
MX12 S & N	800 Nm			

2. Opening the limiter

- Unscrew the screws **128**.
- Remove the plastic plugs **121** and screw 2 of the screws **128** into the tapped holes of the clutch **127** until its extraction.

* Loctite® is a registered trademark.

TORQUE LIMITER - SCREW COMPRESSORS

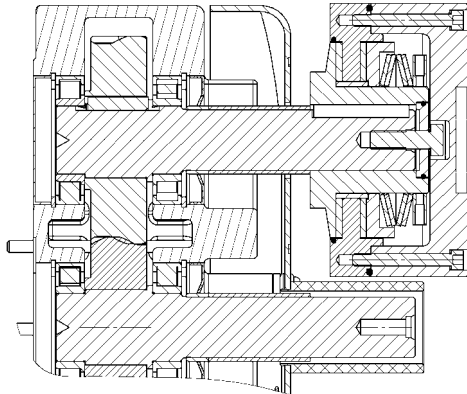
3. Fixing the limiter to the shaft

3.1 MISTRAL - B600 - TYPHON II COMPRESSORS

- Lubricate the shaft with graphite grease.
- **20R & 30R :**
Slip the spacer **132** on the shaft by orienting the internal recess towards the shaft end.

13R/15L & 19R/22L :

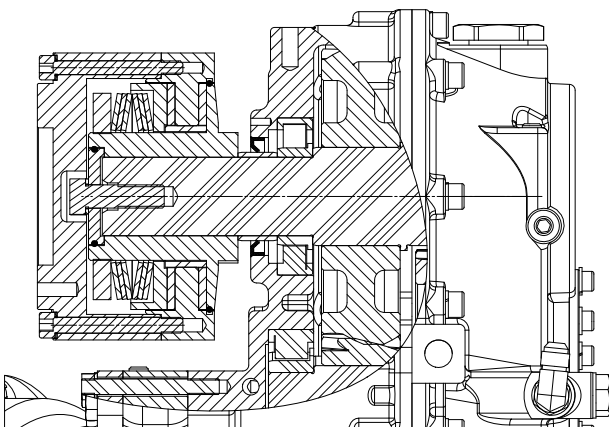
The spacer **132** is already mounted on one shaft. Check it is mounted on the proper shaft. If not, switch position for the shaft protection and the spacer before mounting the torque limiter.



- Position the key.
- Press-fit the limiter onto the shaft so that it abuts with the spacer.
- Grease the O-ring **133** and mount it on the washer **129**.
- Grease the housing of the washer **129** and position it on the torque limiter.
- Screw the screw **130** fitted with the seal **122** on to the shaft.

3.2 MX12 COMPRESSORS

- The spacer **132** is already mounted on the shaft.



- Position the key.
- Press-fit the limiter onto the shaft so that it abuts with the spacer.
- Grease the O-ring **133** and mount it on the washer **129**.
- Grease the housing of the washer **129** and position it on the torque limiter.
- Screw the screw **130** fitted with the seal **122** on to the shaft.

4. Closing the limiter

- **Model 800 Nm :** Apply a sealing waterproof paste Loctite® 5972 or 510* on the disk **103**, in the area guiding part **127**.
- **Model 950 Nm :** Put the O-Ring **123** into the groove of the disk **103**.
- Engage the clutch **127** on to the disk.
- Place the screws **128** and tight them at 24 Nm.
- Fit the plastic plugs **121**.



THE PACKING HOUSING IS PROTECTED FROM CORROSION BY THE WATERPROOF PASTE AND THE SEAL. NON-COMPLIANCE WITH THEIR DISMANTLING INSTRUCTIONS CAN LEAD TO DETERIORATION OF THE PROTECTION PROVIDED BY THE PRESSURE RELIEF VALVE

5. Operating

The torque limiter is a fuse in the transmission line. The aim of the torque limiter is to protect the transmission, specially the PTO (Power Take Off).

The torque is pre-set in factory to avoid any skating in normal use and smooth starting. Hard starting can generate skating.

6. Warranty limits

The damages due to the torque limiter skating are not included in the warranty.

Model 800 Nm : Not use the sealing waterproof paste, plugs **121**, seals **124** and others O-rings will void our warranty.

Model 950 Nm : Not use seal **123** and others O-rings, seals **124** and plugs **121** will void our warranty.