

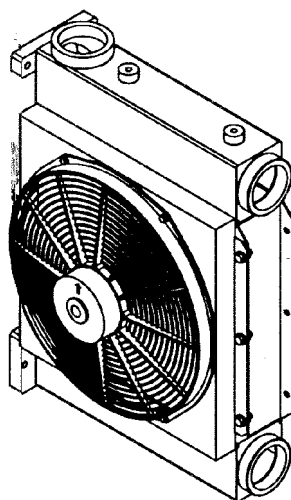


INSTRUCTIONS 1401-AJ00 e

Section	1401
Effective	April 2020
Replaces	October 2018

Original instructions

Intercooler screw compressors MH6 - Mistral - B600 - Typhon II - MX12



WARRANTY :

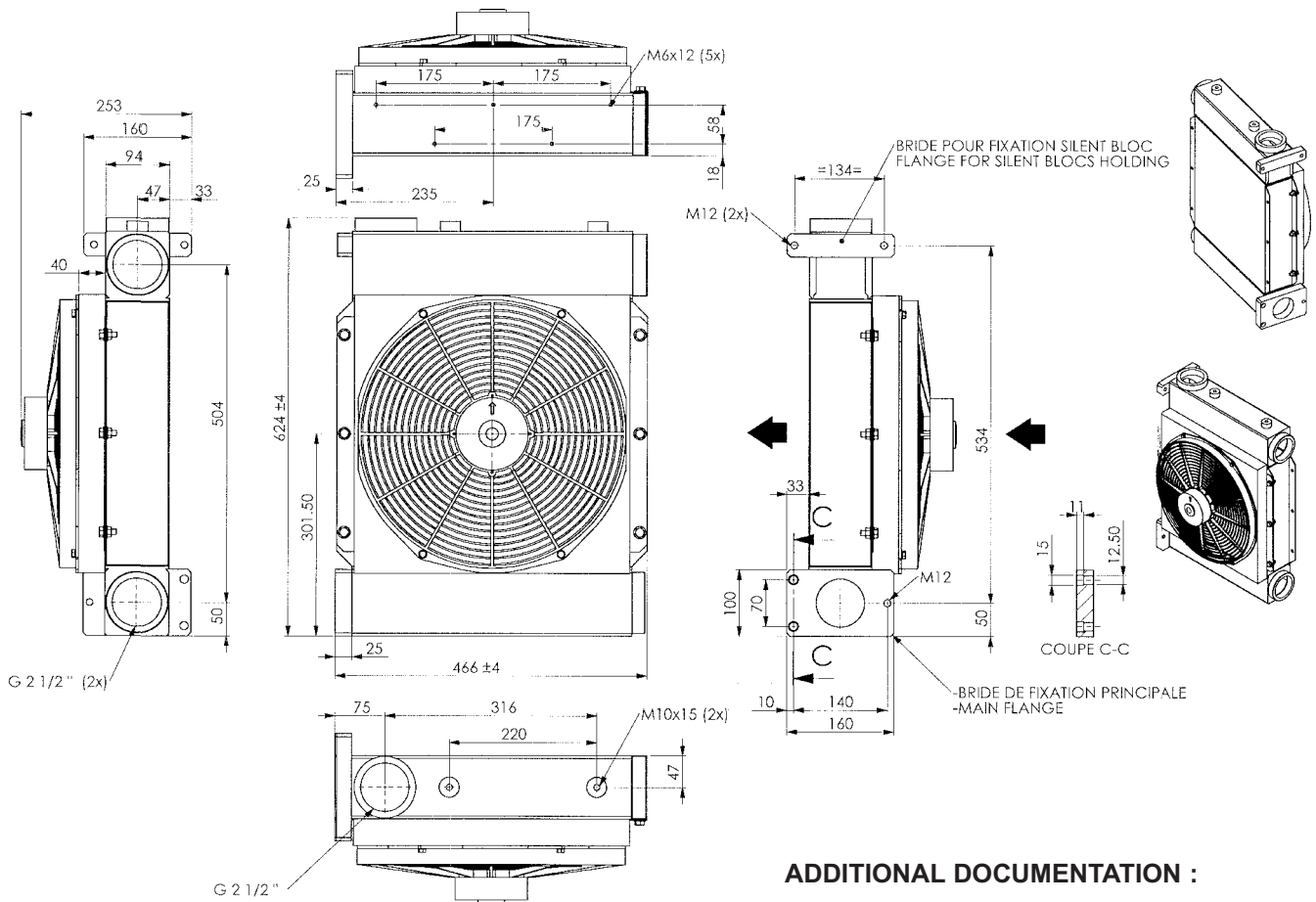
Intercooler for MH6 - MISTRAL - B600 - TYPHON II - MX12 is covered 24 months by warranty within the limits mentioned in our General Sales Conditions. In case of a use other than that mentioned in the Instructions manual, and without preliminary agreement of MOUVEX, warranty will be canceled.



Z.I. La Plaine des Isles - F 89000 AUXERRE - FRANCE
Tel. : +33 (0)3.86.49.86.30 - Fax : +33 (0)3.86.49.87.17
contact.mouvex@psgdover.com - www.mouvex.com

Your distributor :

OVERALL DIMENSIONS



ADDITIONAL DOCUMENTATION :

Spare parts list :

MH6.....	PL 1401-Z01
B600 - Mistral - Typhon II.....	PL 1401-Q01
MX12.....	PL 1401-AL01

FIXATION

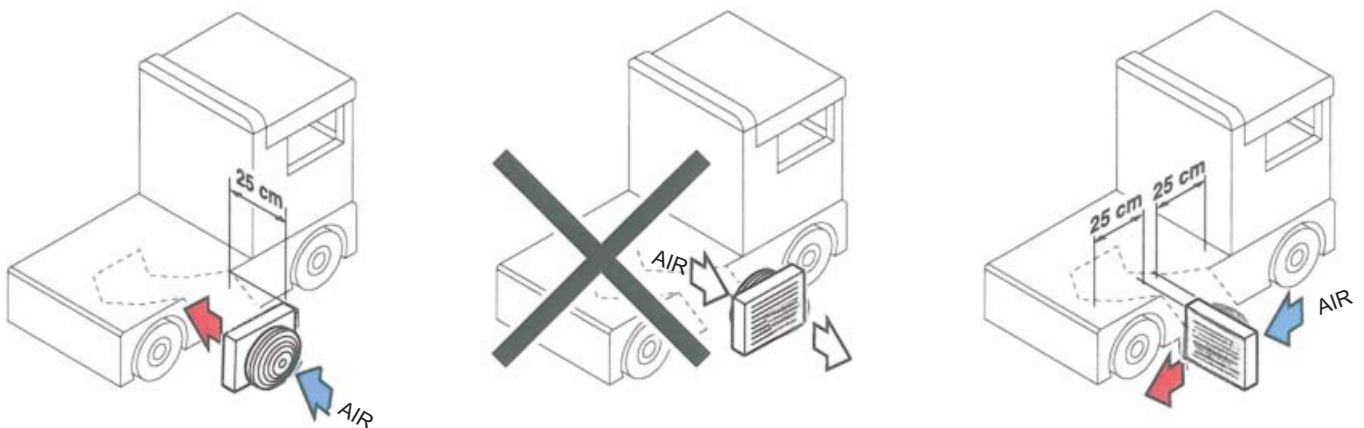
Please, make sure to take care of the information given in the pictures below.

It can be also mounted horizontally, just make sure it is far enough from a wall to ensure a proper air flow.

Turn it in order to ensure the air is sucked from an external area to the truck.

The Intercooler must be also protected from impacts, vibrations and splashes.

It has to be fitted thanks to a bracket to be manufactured.



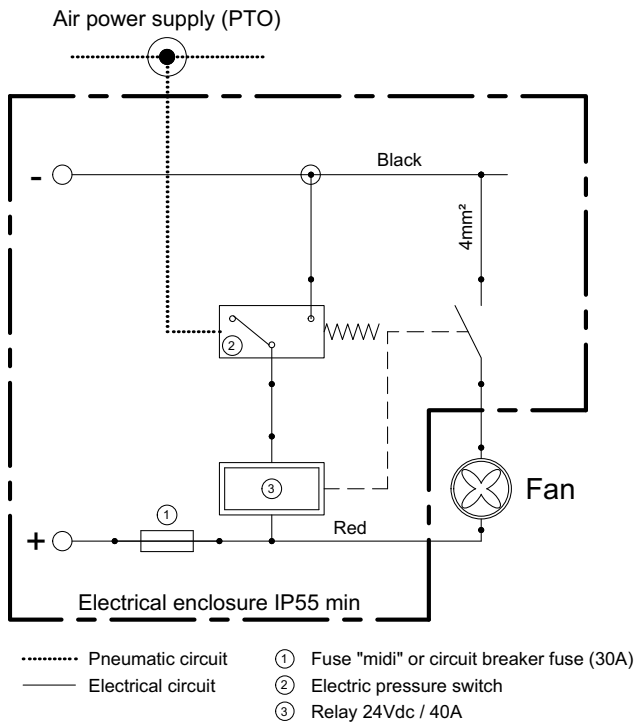
CHARACTERISTICS

- Tension24V DC
- Current consumption de courant10,2 A
- Speed3000 rpm
- Protection standardIP 68
- Pressure drop0,2 bar to 1500 m³/h
- Air flow2670 m³/h
- Weight21 kg
- Delivered with the connection wire

ELECTRIC CONNECTION

Electrical cabling suggested

Connection procedure



Warning : The current source must be cut before any intervention in the electrical circuit to prevent any damage to equipment or physical injury.

The power supply for the cooler must be protected with a fuse (not supplied).

The electrical cable must be correctly supported to prevent its wear through friction, which could make the equipment live or cause unwanted microcuts.

The installer is responsible for supplying this electric line when the compressor is in use and switching it off when the compressor is not required.

To provide with power the fan use a relay. It could be controlled by a manual switch or automatic device that uses the command signal of the control drive.

Turning off the fan while the compressor is running can cause damage to equipment or physical injury (failure of the fan or accessories on the cooled outlet ...).

Make sure of the fan direction rotation in order to take care of the air flow direction specified § FIXATION.