



**INSTRUCTIONS 1011-T00 e**

Section	1011
Effective	January 2019
Replaces	January 2018

Original instructions

# ***ELTOMATIC pulse emitter for ISOIL meters***



**INSTALLATION**

**OPERATION**

**MAINTENANCE**

**WARRANTY :**

ELTOMATIC pulse emitters for ISOIL meters are covered 12 months by warranty within the limits mentioned in our General Sales Conditions. In case of a use other than that mentioned in the Instructions manual, and without preliminary agreement of MOUVEX, warranty will be canceled.

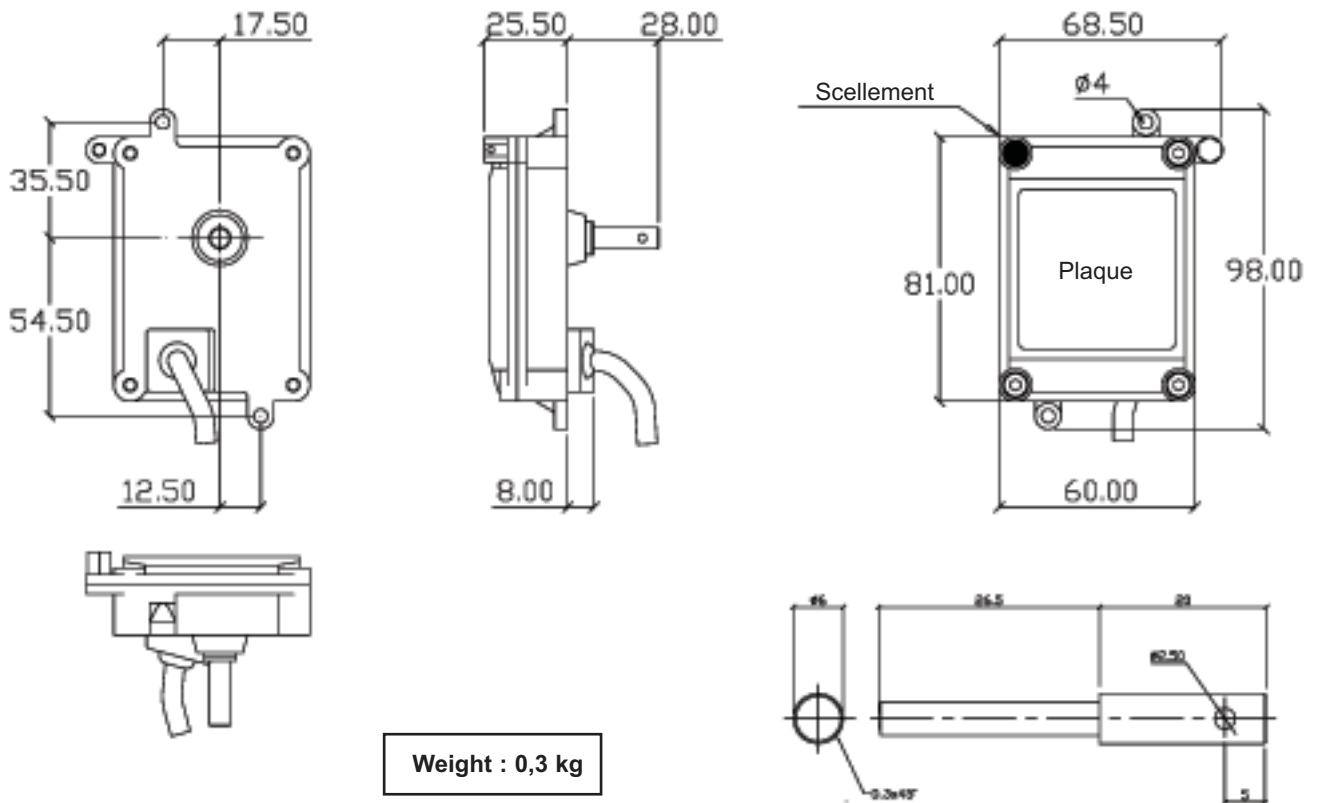


Z.I. La Plaine des Isles - F 89000 AUXERRE - FRANCE  
Tel. : +33 (0)3.86.49.86.30 - Fax : +33 (0)3.86.49.87.17  
contact.mouvex@psgdover.com - www.mouvex.com

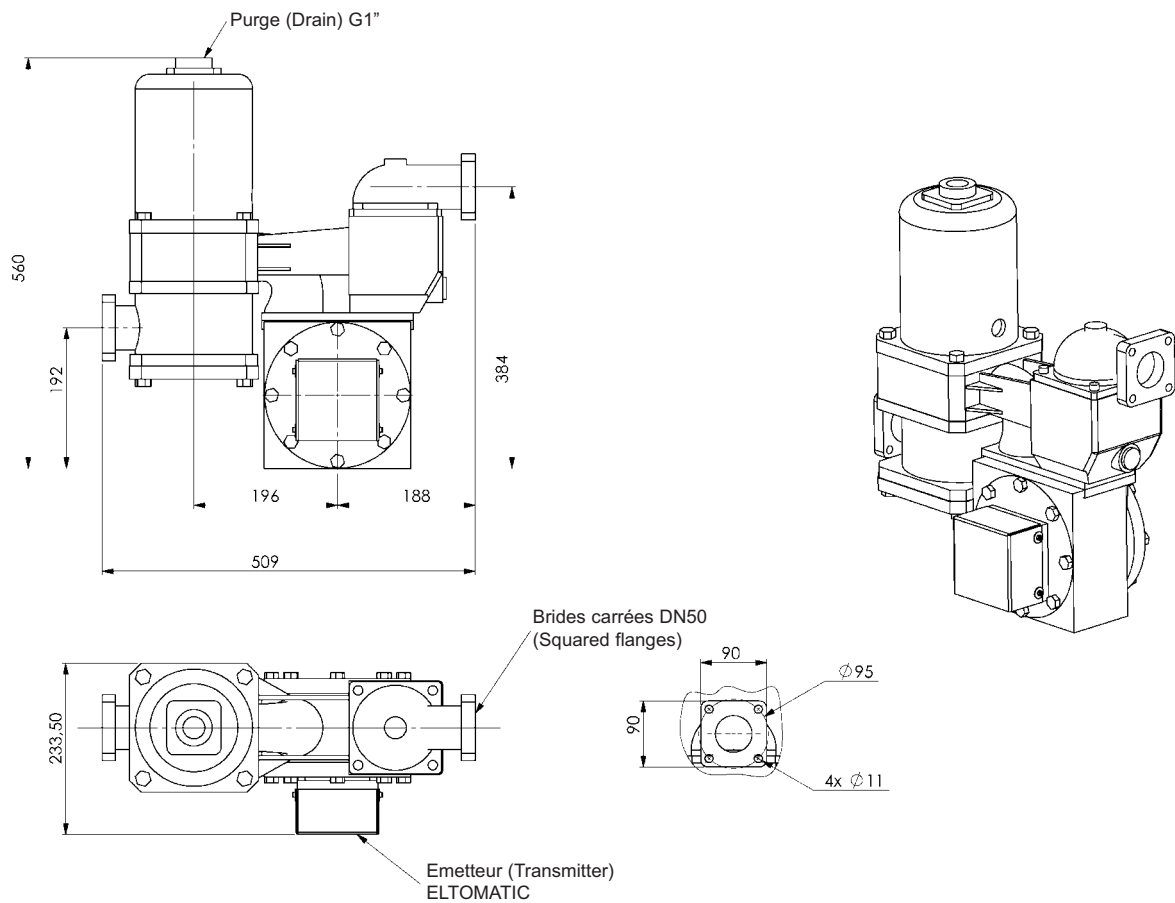
Your distributor :

# 1. OVERALL DIMENSIONS

## Emitter alone

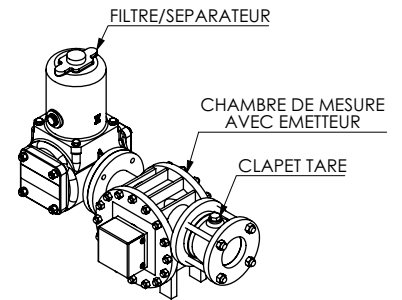
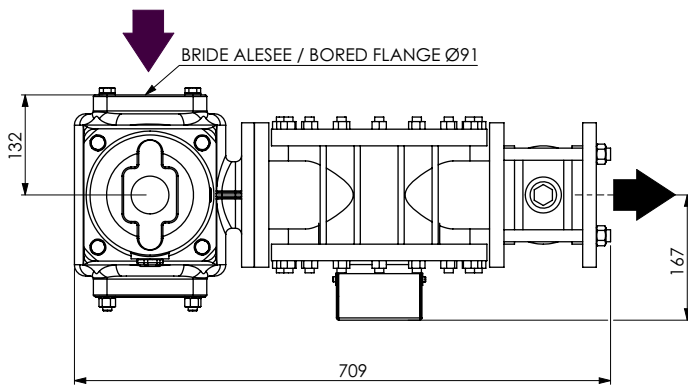
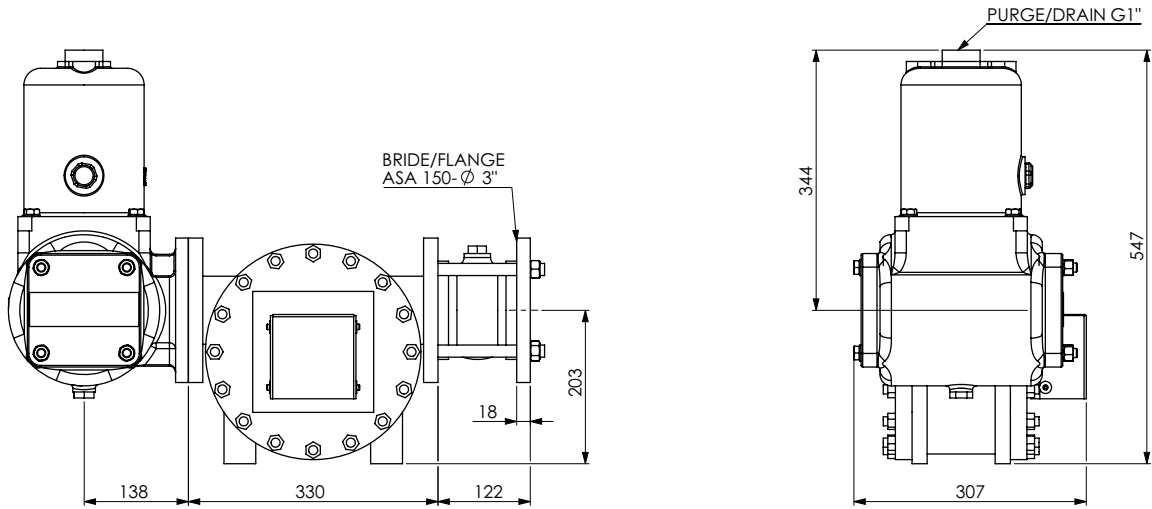


## Set SBM 75

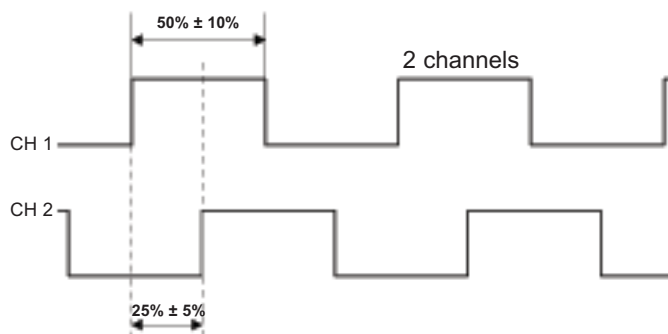


# 1. OVERALL DIMENSIONS (continued)

## Set SBM 150



## 2. CHARACTERISTICS



W & M Approval	PTB no. 5.552-92.14	EMC Approval	CE - EN50081-1 & EN50082-2
Safety Approval	DEMKO 01 ATEX 130641X & DEMKO no. 92C. 105922X	Approval type	EEx d IIb T6
Working Temp	- 30°C to +70°C	Approved T°	- 30°C to +70°C
Sealing	1 lead seal in cover	Labels	59.2432 - 59.2010
Pulse form	Squarewave - 50% duty cycle	Power supply	24 VDC
Phase shift	CH1 - CH2 - 25% ± 5%	Current / no load	20 mA
EI. Cable no	09.4800	Output stage	Totempole
EI. Cable type	4 core + shield - length 2 meters	Output load max	30 mA per channel
Shield	Connected to housing	Output signal	2 x 25 pulses per revolution
+VDC	<span style="border: 1px solid black; padding: 2px;">Green</span>	0VDC	<span style="border: 1px solid black; padding: 2px;">Brown</span>
Ch 1	<span style="border: 1px solid black; padding: 2px;">White</span>	Ch 2	<span style="border: 1px solid black; padding: 2px;">Yellow</span>

## 3. INSTALLATION - OPERATION

- This pulse transmitter is EEx approved for installations in Hazardous Area 1 and 2 only.
- The installation must only be carried out with the power supply disconnected. Take care to ensure potential balancing during the installation of the transmitter.
- The power supply cable must be oriented and secured so that it is protected against tearing and splashing.

The transmitter must be driven by a coupling allowing axial and radial clearance. Otherwise, it can damage the bearing which would compromise the ATEX certification.

Do not expose the transmitter to fuel oil or cleaning products.

- The x marking refers to :
  - Transmitter temperature range: -30°C to + 70°C  
Use of the transmitter outside these limits cancels the ATEX certification.
  - The power supply (see the label for the voltage value) must be connected to a protected area or to a certified connection box.  
The transmitter type 01-09 is available with a fixed voltage or between 4.5 and 24 V.
- When connected to an explosive area where the power supply of the transmitter is connected to a terminal or terminal block of type "spark protection type e" the ends of the cables must be reinforced using ducts.
- Refer to cable markings to identify wire colors.

## 4. MAINTENANCE

There is no special maintenance (bearings lubricated for life). Any repairs can only be carried out by ELTOMATIC.

Never open the transmitter or attempt to remove the plate. Otherwise, the certification and the guarantee will be canceled.