



# M-80 Series

## All stainless, fixed setting flow switch with in-line flow

### Features

- Available in a wide range of fixed flow settings
- High reliability
- Extremely sensitive
- Low hysteresis
- Low pressure drop
- Large port sizes

### Applications

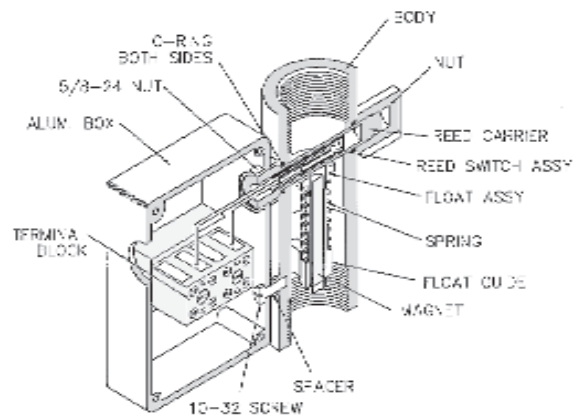
- Process flow monitoring
- Chemical delivery systems
- Cooling water flows
- High volume gas flows
- Heat exchangers
- Transformers
- Brewery process applications

### Description

The M-80 Series flow switches are engineered and field tested for sensing increasing and decreasing flow rates of gases or liquids. Pressure variation effects are minimal. This series features such versatility, economy, and accuracy that they can be used in virtually any application requiring fool-proof inexpensive flow detection. (The M-80 Series is manufactured under license from CT Platon Ltd., United Kingdom.)

### Operation

The M-80 is a flow operated switch for fitting directly in the pipe work. The variable area flow sensing element, mounted on the pipe axis, moves at a preset flow rate from its rest position to an open position where it causes minimum impedance to the flow. The moving member embodies a permanent magnet, which operates a reed switch, which is mounted transversely in the pipe body in a sealed pocket.



Illustrated is the M-80 Model with 1" bspp ports.

## Measurement Specifications

Calibration Range *	Air : 2.3 to 70.6 scfm Water : 2.5 to 80 l/min * These calibration ranges are over different valve sizes. Please see "Standard Flow Set Point Table."
Set Point Accuracy	± 10% maximum
Repeatability	± 5%
Hysteresis	10% to 30%
Material Versions	<ul style="list-style-type: none"> <li>316 Stainless Steel</li> </ul>
Port Sizes	<ul style="list-style-type: none"> <li>1" BSPP or 1" MNPT available</li> </ul>

## Standard Specifications by Materials

Port Size	1" BSP Female	2" Flanged
Body	316SS	
Flow Sensor	Stainless Steel with permanent magnet in axially mounted moving member	
O-Rings	Nitrile	
<b>Pressure &amp; Temperature</b>		
Maximum Operating (psig)	1000	Note 1
Burst (psig)	3000	Note 1
Maximum Operating Temperature	70 C/158°F	70 C/158°F
Reed Switch Data (Electrical Ratings) Reed Switch	10 Watts SPST or 3 Watts SPDT (Hermetically Sealed) UL Recognized. File E47258. Operating Temperature -40°C to 125°C	
Switching Voltage	200 VDC (170 VDC for SPDT)	
Breakdown Voltage	250 VDC (200 VDC for SPDT)	
DC Resistive	10 Watts (3 Watts for SPDT)	
AC Resistive	10 VA (3VA for SPDT)	
Switching Current	0.5 A (0.25 A for SPDT) 1.2 A (0.5A for SPDT)	
Lead Wires	No 24 to 18 AWG. 18" Length, Polymeric UL Recognized	
Lead Wires Color	Green - Common, Yellow - Normally Closed, Orange - Normally Open	
Flow Calibration	(Higher accuracy units available)	
Set Point Accuracy	10% maximum	
Set Point Differential (Deadband)	± 15% - 30%	
Repeatability	± 5% maximum	

Note 1: Maximum pressure 1000 psi (70 bar) or maximum pressure of rated flange.

## Installation & Maintenance

The screwed models for 1" pipe are best installed vertically to eliminate friction; but the 2" flanged models can be installed at any orientation, unless required for extremely low gas applications.

### Corporate Headquarters

1060 S Rogers Circle  
Boca Raton, FL 33487  
P: (561) 995-0595 F: (561) 995-0622

### West Coast Headquarters

2329 Zanker Road  
San Jose, CA 95131  
P: (408) 970-3419 F: (408) 970-3426

### Asia Pacific Headquarters

35 Marsiling Industrial Estate Road 3 #02-06  
Singapore 739257  
P: (65) 6482-3533 F: (65) 6484-4231

### India Headquarters

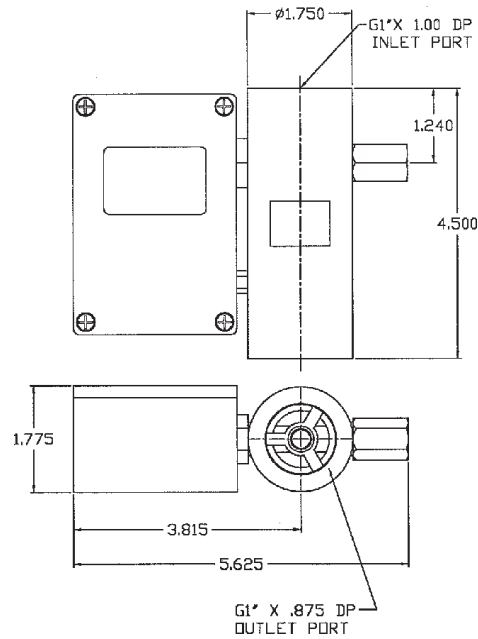
#1433, 3<sup>rd</sup> and 4<sup>th</sup> Floor, Pipeline Road,  
Mahalakshimpuram, Bangalore 560086  
P:(91) 80 2349-9362

## Reed Switch Ratings as Recognized by UL

SPST	120 V ac 24 V dc 50V dc	0.1 A general purpose 0.25 A resistive 0.25 A resistive
SPDT	120 V ac 10 V dc 24 V dc	0.1 A general purpose 0.25 A resistive 0.1 A resistive

## Dimensional Drawings

Illustrated is the M-80 Model with 1" bspp ports.



## Standard Flow Set Point Table

Port Size	Flow Setting (l/min) Water @ 20 C					Flow Setting (scfm) Air @ ATP (20 C and 14.7 psi)				
	1	2	3	4	5	1	2	3	4	5
1"	-	2.5	5	10	20	-	2.3	4.4	8.8	17.7
2"	-	10	20	40	80	-	8.8	17.7	35.3	70.6

## Ordering Information

Standard Part Numbering							
M	-	Model	-	Material	Port	Switch	Flow Set Point
M	-	80	-	S	1	3	
		80		S - 316 Stainless	1 - 1" BSPP * 2 - 2" Flanged	3 - SPDT	(Please see "Flow Set Point Table")

\* 1" MNPT made available with adapter fittings from factory.

NOTE: Specifications are subject to change without notice.

© 2020 Malema Engineering Corporation. All rights reserved.

Malema, Malema Sensors, and Malema Engineering Corporation are service marks of Malema Engineering Corporation. All other trademarks are property of their respective owners. Malema supplies this publication for informational purposes only. While every effort has been made to ensure accuracy, this publication is not intended to make performance claims or process recommendations. Malema does not warrant, guarantee, or assume any legal liability for the accuracy, completeness, timeliness, reliability, or usefulness of any information, product, or process described herein. We reserve the right to modify or improve the designs or specifications of our products at any time without notice. For actual product information and recommendations, please contact your local Malema representative.

### Corporate Headquarters

1060 S Rogers Circle  
Boca Raton, FL 33487  
P: (561) 995-0595 F: (561) 995-0622

### West Coast Headquarters

2329 Zanker Road  
San Jose, CA 95131  
P: (408) 970-3419 F: (408) 970-3426

### Asia Pacific Headquarters

35 Marsiling Industrial Estate Road 3 #02-06  
Singapore 739257  
P: (65) 6482-3533 F: (65) 6484-4231

### India Headquarters

#1433, 3<sup>rd</sup> and 4<sup>th</sup> Floor, Pipeline Road,  
Mahalakshimpuram, Bangalore 560086  
P:(91) 80 2349-9362