



M-200 Series

High flow, Adjustable flow switch with right-angle flow

Features

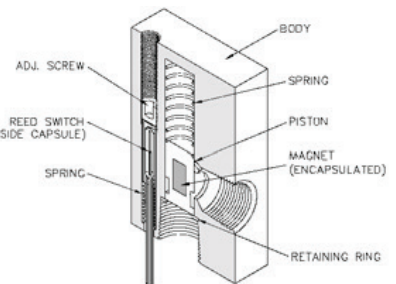
- Field adjustable - Infinite flow range
- High Repeatability
- Extremely sensitive
- Minimum pressure drop
- Position Insensitive

Description

The M-200 Series flow switches are engineered and field tested for sensing increasing and decreasing flow rates of gases or liquids. Pressure variation effects are minimal. This series features such versatility, economy, and accuracy that they can be used in virtually any application requiring fool-proof inexpensive flow detection.

Operation

The flow switch is activated by flow forcing a piston kept in place by a spring to travel past a reed switch. This provides a positive signal after a certain amount of travel. Set point adjustment is controlled by adjusting the positioning of the reed switch.



Illustrated is the M-200-B Model
with 1/2" ports.

Applications

- Cleaning Tools in the semiconductor industry
- Cooling systems
- Water treatment systems
- Process flows

Measurement Specifications

Calibration Range *	3/8", 1/2", SAE8: Air : 1 - 50 scfm Water : 0.03 - 5 gpm 3/4": Air : 2 - 100 scfm Water : 0.2 - 10 gpm * Maximum flows through switch are higher. For higher flow settings, contact factory.
Set Point Accuracy	±10% maximum
Repeatability	± 5% maximum
Hysteresis	15% - 30%
Material Versions *	<ul style="list-style-type: none"> • Acrylic • Alumunium • Brass • 316 Stainless Steel • PTFE * Other materials available on request.
Port Sizes	<ul style="list-style-type: none"> • 3/8" FNPT • 3/4" FNPT • 1/2" FNPT • SAE8

Custom Versions Available

Malema welcomes the opportunity to apply its flow sensor experience to work for its customers. Please contact the factory for any special requirements; such as ports, extreme temperature and pressure capabilities, etc.

Design Considerations/Construction

The M-100 Series comprises a Body, Piston, Endplugs, O-ring seals, and adjustment mechanism. Selecting a Flow Switch begins with selecting the body; this series is available in a number of materials. Adjustability is achieved by means of an adjustment screw controlling a bypass. Construction of the piston is important from a design perspective. We manufacture three (it is critical to select the correct piston for your application): 316 Stainless Steel, Teflon Encapsulated, and Special All-Metal piston.

(1) The standard piston is a 316 Stainless Steel piston with epoxy to hold the magnet in place. This piston is recommended for non-aggressive fluids and inert gases. Stainless Steel retaining rings are typically used with this piston type.

(2) The second piston that is available is a PTFE Encapsulated one. This piston is a magnet that has Teflon molded around it and then machined to the appropriate configuration. These pistons are primarily used in Teflon flow switches and also in other flow switch bodies (typically 316SS and Acrylic bodies) where customers prefer a piston that does not have epoxy in the fluid path; as well as a piston that is impervious to aggressive fluids and gases. This piston is highly recommended for medical applications. Hysteresis on these pistons does tend to be slightly higher (10 to 15%) than metal pistons due to frictional effects, weight, and surface adhesion considerations. Prior to selecting this piston, fluid temperatures and fluid compatibility with Teflon must be taken into account because certain aggressive chemicals at specific temperatures tend to swell PTFE causing the piston to change shape resulting in failure of the product. Stainless or PTFE-coated retaining rings can be used with this piston, along with a stainless spring (also coated).

(3) The third piston that is available is a Special All-Metal piston with no epoxy (only available in 316SS). This piston is fabricated in a proprietary process with only one weld seam (leak tested) which presents an all 316SS surface to the fluid path. This piston is recommended for those applications where the piston could experience a lot of cycling wear. This piston has been tested to 250,000 cycles at 125 psi. Stainless Steel retaining rings are recommended for this piston type.

Corporate Headquarters

1060 S Rogers Circle
 Boca Raton, FL 33487
 P: (561) 995-0595 F: (561) 995-0622

West Coast Headquarters

2329 Zanker Road
 San Jose, CA 95131
 P: (408) 970-3419 F: (408) 970-3426

Asia Pacific Headquarters

35 Marsiling Industrial Estate Road 3 #02-06
 Singapore 739257
 P: (65) 6482-3533 F: (65) 6484-4231

India Headquarters

#1433, 3rd and 4th Floor, Pipeline Road,
 Mahalakshimpuram, Bangalore 560086
 P:(91) 80 2349-9362

Standard Specifications by Materials

Housing	Acrylic	Brass	316SS	PTFE
Piston*	PTFE	PTFE	PTFE	PTFE Encapsulated
Spring	Stainless Steel			PTFE Coated Stainless Steel
Retaining Ring*	Stainless Steel			PTFE Coated Stainless Steel
Pressure and Temperature Specifications				
Maximum Operating (psig)	200	1,500	3,000	200
Burst (psig)	400	3,000	5,000	600
Maximum Operating Temperature	77 C (170°F)	149 C (300°F)	149 C (300°F)	149 C (300°F)
Reed Switch Data (Electrical Ratings) Reed Switch	10 Watts SPST or 3 Watts SPDT (Hermetically Sealed) UL Recognized. File E47258. Operating Temperature -40°C to 125°C			
Switching Voltage	200 VDC (170 VDC for SPDT)			
Breakdown Voltage	250 VDC (200 VDC for SPDT)			
DC Resistive	10 Watts (3 Watts for SPDT)			
AC Resistive	10 VA (3VA for SPDT)			
Switching Current	0.5 A (0.25 A for SPDT) 1.2 A (0.5A for SPDT)			
Lead Wires	No. 24 to 18 AWG. 18" Length, Polymeric UL Recognized or Belden cable with connectors to suit			
Lead Wires Color	SPST: 2 Blue wires; SPDT: Green - Common, Yellow - Normally Closed, Orange - Normally Open			
Flow Calibration	(Higher accuracy units available)			
Set Point Accuracy	± 10% maximum			
Set Point Differential (Deadband)	15% - 30% (lower hysteresis on request)			
Repeatability	± 5% maximum			

* See "Design Considerations/Construction" above

Reed Switch Ratings as Recognized by UL

SPST	120 V ac	0.1 A general purpose
	24 V dc	0.25 A resistive
	50V dc	0.25 A resistive
SPDT	120 V ac	0.1 A general purpose
	10 V dc	0.25 A resistive
	24 V dc	0.1 A resistive

Corporate Headquarters

1060 S Rogers Circle
Boca Raton, FL 33487
P: (561) 995-0595 F: (561) 995-0622

West Coast Headquarters

2329 Zanker Road
San Jose, CA 95131
P: (408) 970-3419 F: (408) 970-3426

Asia Pacific Headquarters

35 Marsiling Industrial Estate Road 3 #02-06
Singapore 739257
P: (65) 6482-3533 F: (65) 6484-4231

India Headquarters

#1433, 3rd and 4th Floor, Pipeline Road,
Mahalakshmpuram, Bangalore 560086
P:(91) 80 2349-9362

Installation & Maintenance

This product can be mounted in any orientation. Adequate filtration and sealing procedures should be used when mounting in flow lines. For detailed directions, please refer to our "Installation and Maintenance" sheet.

Certifications

UL and Canadian UL

UL and Canadian UL Recognized for ordinary locations. File E138467

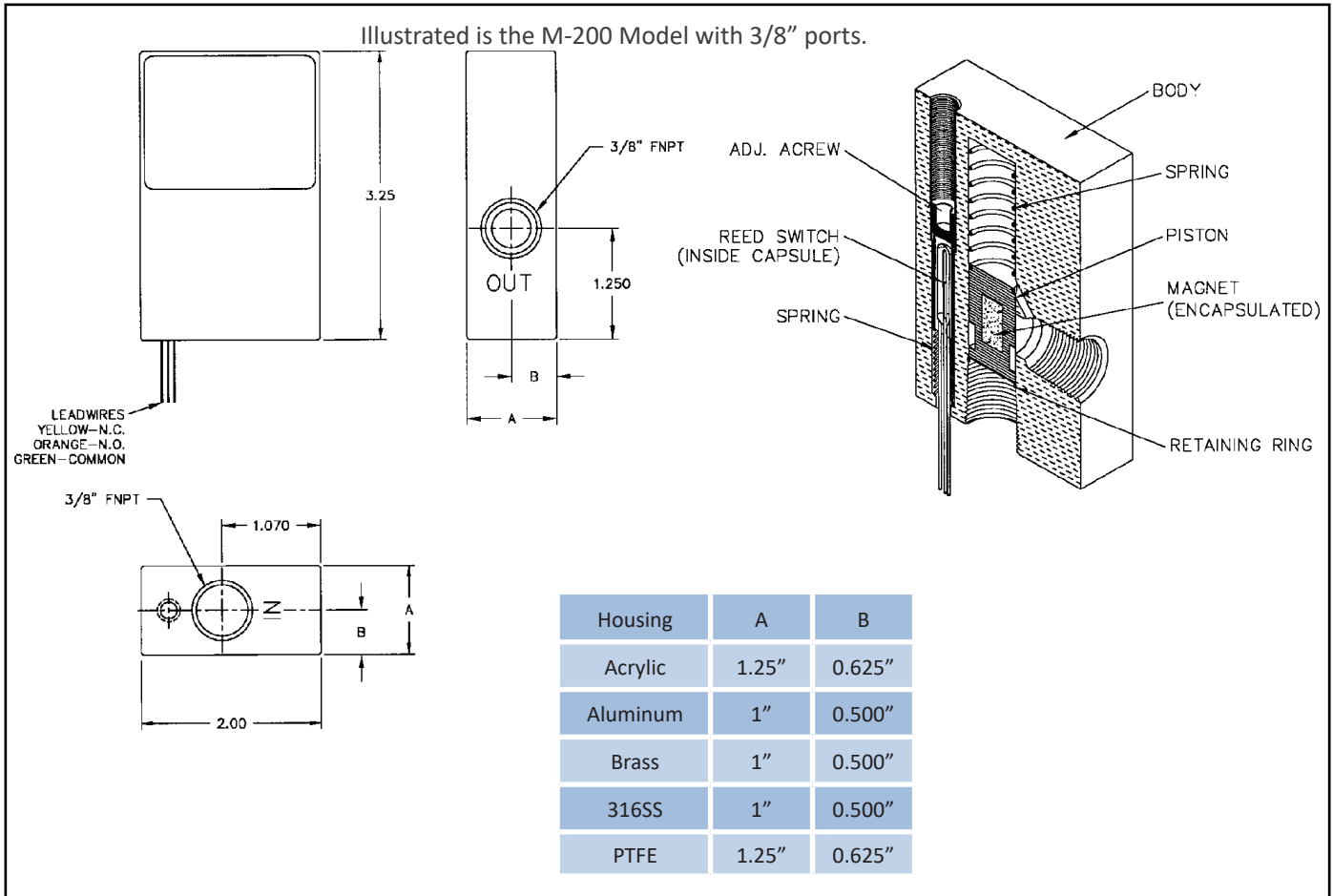
CE Compliance

As per LVD directive

Cv

Cv values available upon request.

Dimensional and Cut-Away Drawings



Corporate Headquarters

1060 S Rogers Circle
Boca Raton, FL 33487
P: (561) 995-0595 F: (561) 995-0622

West Coast Headquarters

2329 Zanker Road
San Jose, CA 95131
P: (408) 970-3419 F: (408) 970-3426

Asia Pacific Headquarters

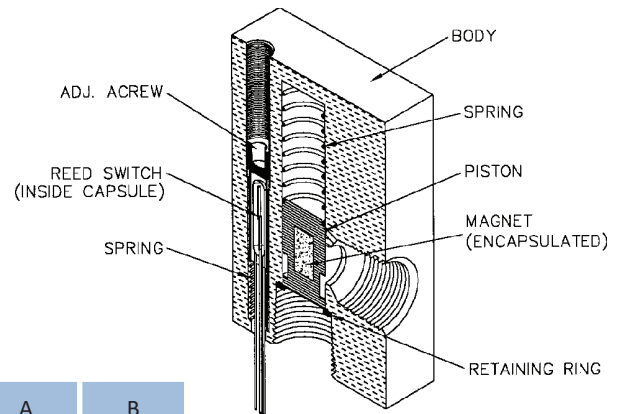
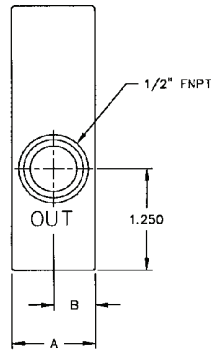
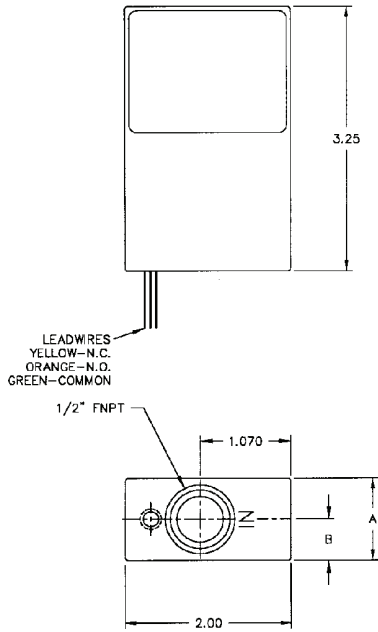
35 Marsiling Industrial Estate Road 3 #02-06
Singapore 739257
P: (65) 6482-3533 F: (65) 6484-4231

India Headquarters

#1433, 3rd and 4th Floor, Pipeline Road,
Mahalakshimpuram, Bangalore 560086
P:(91) 80 2349-9362

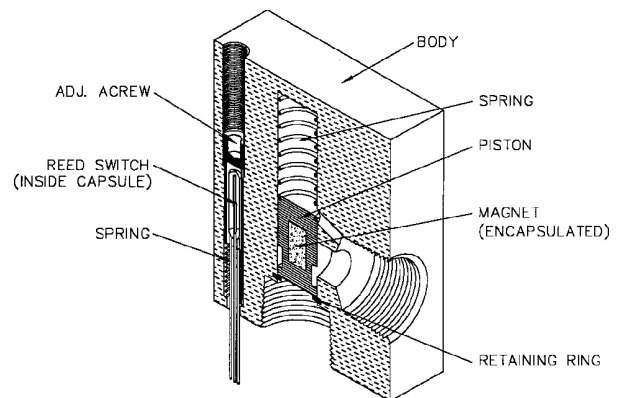
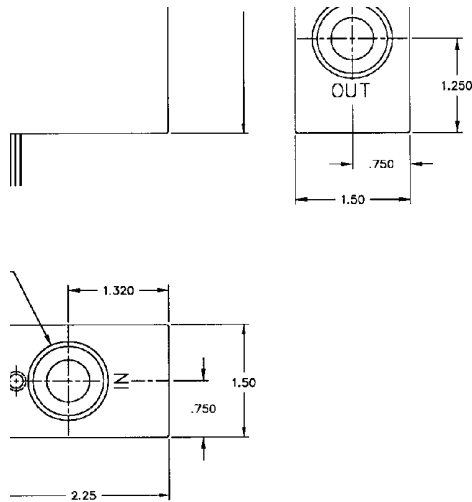
Dimensional and Cut-Away Drawings (continued)

Illustrated is the M-200 Model with 1/2" ports.



Housing	A	B
Acrylic	1.25"	0.625"
Aluminum	1"	0.500"
Brass	1"	0.500"
316SS	1"	0.500"
PTFE	1.25"	0.625"

Illustrated is the M-200 Model with 3/4" ports.



* Note: The M-200 Model with 3/4" ports is only available in Brass, PTFE and 316 SS

Kalrez® and Viton® are registered trademarks of DuPont.

Corporate Headquarters

1060 S Rogers Circle
Boca Raton, FL 33487
P: (561) 995-0595 F: (561) 995-0622

West Coast Headquarters

2329 Zanker Road
San Jose, CA 95131
P: (408) 970-3419 F: (408) 970-3426

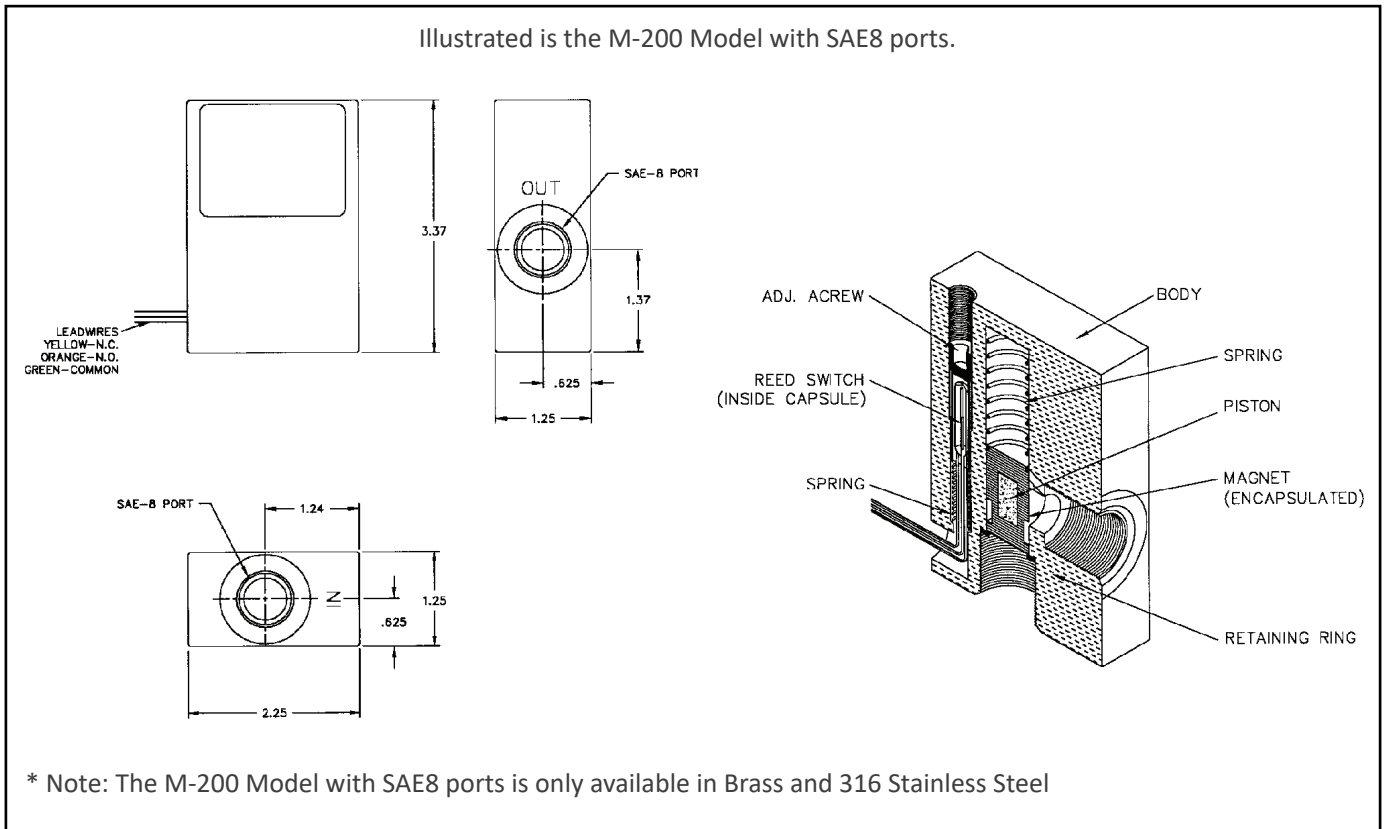
Asia Pacific Headquarters

35 Marsiling Industrial Estate Road 3 #02-06
Singapore 739257
P: (65) 6482-3533 F: (65) 6484-4231

India Headquarters

#1433, 3rd and 4th Floor, Pipeline Road,
Mahalaxmipuram, Bangalore 560086
P:(91) 80 2349-9362

Dimensional and Cut-Away Drawings (continued)



Factory Preset Information

The M-200 is an adjustable flow switch. The flow set point can be set at the factory, upon request. Proper calibration of the set point requires the following information. When purchasing a flow switch that needs to be factory preset, use the "Set Point Calibration" form on page i-vi or provide this information on the purchase order.

- Calibration set point,
- Increasing or decreasing flow,
- Fluid type (i.e. liquid or gas),
- Density or specific gravity,
- Viscosity,
- System pressure and temperature,
- Flow direction (i.e. upward or downward), and
- Mounting orientation (i.e. horizontal or vertical).

Ordering Information

Standard Part Numbering						
M	-	Model	-	Material	Port	Switch
M	-	200	-	S	1	1
		200		A - Aluminum	3 - 3/8"	1 - SPST N.O.
				B - Brass	4 - 1/2"	3 - SPDT
				P - Acrylic	6-3/4"	
				S - 316 Stainless		
				T - PTFE		

* The M-200 with 3/4" ports is ONLY available in the Brass, PTFE or 316 SS body material.

The M-200 in Brass or 316 Stainless Steel is also available with SAE 8 ports.

NOTE: Specifications are subject to change without notice.

© 2020 Malema Engineering Corporation. All rights reserved.

Malema, Malema Sensors, and Malema Engineering Corporation are service marks of Malema Engineering Corporation. All other trademarks are property of their respective owners. Malema supplies this publication for informational purposes only. While every effort has been made to ensure accuracy, this publication is not intended to make performance claims or process recommendations. Malema does not warrant, guarantee, or assume any legal liability for the accuracy, completeness, timeliness, reliability, or usefulness of any information, product, or process described herein. We reserve the right to modify or improve the designs or specifications of our products at any time without notice. For actual product information and recommendations, please contact your local Malema representative.

Corporate Headquarters

1060 S Rogers Circle
Boca Raton, FL 33487
P: (561) 995-0595 F: (561) 995-0622

West Coast Headquarters

2329 Zanker Road
San Jose, CA 95131
P: (408) 970-3419 F: (408) 970-3426

Asia Pacific Headquarters

35 Marsiling Industrial Estate Road 3 #02-06
Singapore 739257
P: (65) 6482-3533 F: (65) 6484-4231

India Headquarters

#1433, 3rd and 4th Floor, Pipeline Road,
Mahalakshimpuram, Bangalore 560086
P:(91) 80 2349-9362