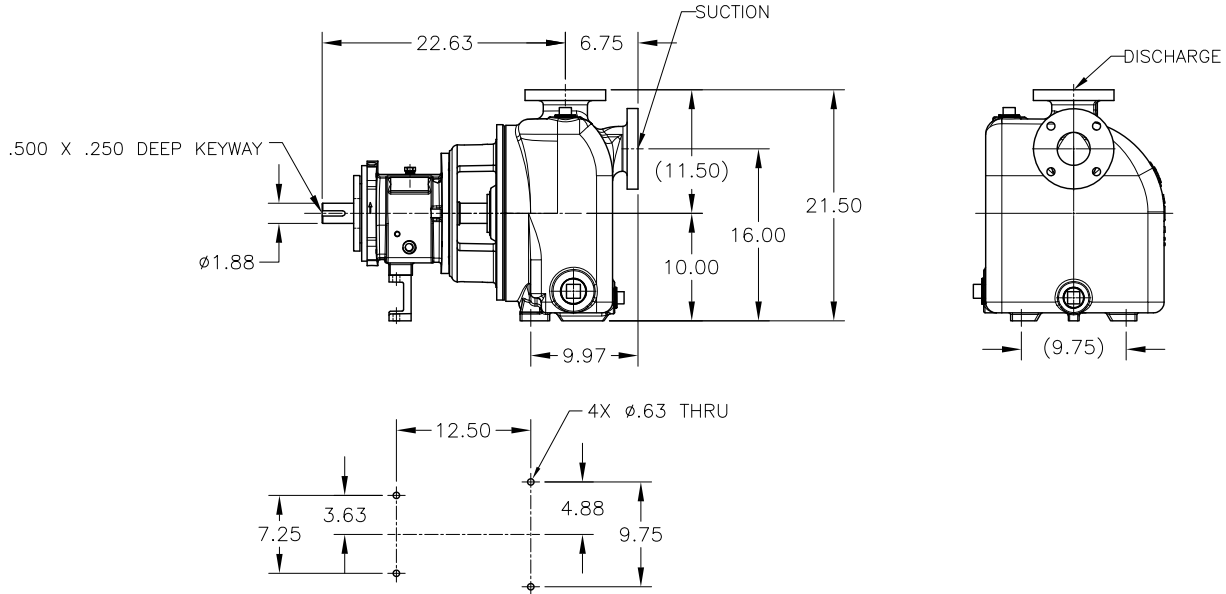


NOTES: UNLESS OTHERWISE SPECIFIED

1. DIMENSIONS AND TOLERANCES PER ASME Y14.5M-1994.
2. * INDICATES DIMENSIONS AND/OR FEATURES MODIFIED ON CURRENT REVISION LEVEL.
3. DIMENSIONS REFLECT STANDARD MFG TOLERANCES.
4. WEIGHTS ARE APPROXIMATE BASED ON MANUFACTURER'S MATERIALS AND PUMP CONFIGURATION.

REV.	DESCRIPTION	BY	CHK.	APP.	DATE
A	RELEASED INTO PRODUCTION SEE ECN #GRT001328	-	-	-	-



FLANGE OPTION DIMENSIONS							
OPTION	NOMINAL PIPE SIZE	FLANGE DIAMETER	BOLT CIRCLE DIAMETER	NO. OF BOLTS	DIAMETER OF BOLTS	BOLT HOLE	FLANGE
✓	3" ASME 150# (SHOWN)						DISCHARGE
	3.00	7.50	6.00	4	0.63	0.75	
✓	3" ASME 150# (SHOWN)						SUCTION
	3.00	7.50	6.00	4	0.63	0.75	
✓	3" ASME 300#						DISCHARGE
	3.00	8.25	6.62	8	0.75	0.88	
✓	3" ASME 300#						SUCTION
	3.00	8.25	6.62	8	0.75	0.88	

**CERTIFIED
FOR
CONSTRUCTION**

ONLY WHEN SIGNED

Signature _____
Date _____

Customer _____

Customer P.O. # _____

OPTION	AVAILABLE OPTIONS
✓	PUMP MATERIAL
	X4 CD4MCU SS
	OTHER
	FLANGE FACE
	FLAT FACE
	RAISED FACE

△ PUMP WT.- 443 LBS

DO NOT SCALE DRAWING UNLESS OTHERWISE SPECIFIED DIMENSIONS ARE IN INCHES TOLERANCES ARE:	
DECIMALS .XX ± -	
.XXX ± -	
ANGLES ± -	
SCALE -	SHEET 1 OF 1

		GRISWOLD PUMP COMPANY 22869 VAN BUREN STREET GRAND TERRACE, CA 92313-9807 PHONE: (909) 642-2222 / (209) 526-5555 WWW.GRISWOLDPUMP.COM	
TITLE 3 x 3 - 13, 811SP PEO, LG PF			
DRAWN BY	R. ANDRADE	DATE	03/05/21
CHECKED BY	T. VOVAN	DATE	03/09/21
APPROVED BY	R. BEACH	DATE	3/30/21
ASSY. NO.		DRAWING NO.	LG1882
REV.			A