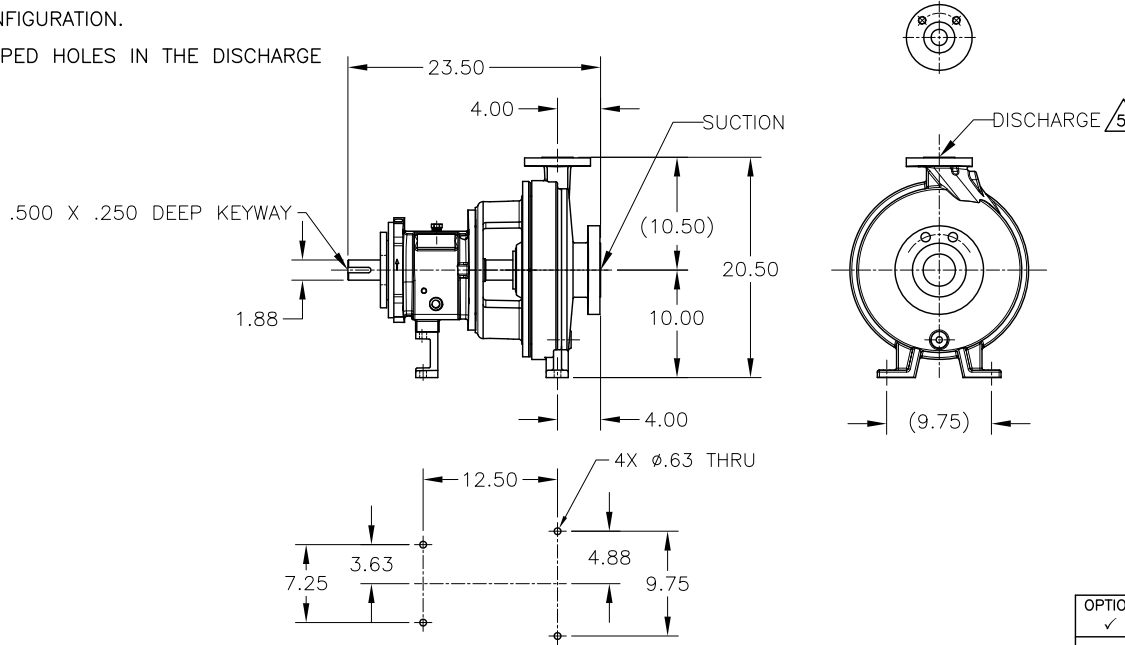


REV.	DESCRIPTION	BY	CHK.	APP.	DATE
A	RELEASED INTO PRODUCTION SEE ECN #G01031	-	-	-	-

NOTES: UNLESS OTHERWISE SPECIFIED

- DIMENSIONS AND TOLERANCES PER ASME Y14.5M-1994.
- \* INDICATES DIMENSIONS AND/OR FEATURES MODIFIED ON CURRENT REVISION LEVEL.
- △ DIMENSIONS REFLECT STANDARD MFG TOLERANCES.
- △ WEIGHTS ARE APPROXIMATE AND MAY VARY BASED ON MANUFACTURER'S MATERIALS AND PUMP CONFIGURATION.
- △ THIS PUMP MAY HAVE TAPPED HOLES IN THE DISCHARGE FLANGE PER ASME B73.1.



FLANGE OPTION DIMENSIONS						
NOMINAL PIPE SIZE	FLANGE DIAMETER	BOLT CIRCLE DIAMETER	NO. OF BOLTS	DIAMETER OF BOLTS	BOLT HOLE	FLANGE
1.5" ASME 300# (THD) △						DISCHARGE
1.50	6.12	4.50	4	0.75	.750-10 UNC-2B	
3" ASME 300#						SUCTION
3.00	8.25	6.62	8	0.75	0.88	

**CERTIFIED FOR CONSTRUCTION**

ONLY WHEN SIGNED

Signature \_\_\_\_\_  
Date \_\_\_\_\_

Customer \_\_\_\_\_

Customer P.O. # \_\_\_\_\_

OPTION	AVAILABLE OPTIONS
<input checked="" type="checkbox"/>	PUMP MATERIAL
	N6 DUCTILE IRON
	N6 DUCTILE IRON CASE / 91 SS IMPELLER
	91 STAINLESS STEEL
	20 HASTELLOY
	X4 CD4MCU SS
	OTHER:
	FLANGE FACE
n/a	FLAT FACE
<input checked="" type="checkbox"/>	RAISED FACE (ONLY)

△ PUMP WT.- 335 LBS

DO NOT SCALE DRAWING UNLESS OTHERWISE SPECIFIED DIMENSIONS ARE IN INCHES TOLERANCES ARE:	
DECIMALS .XX ± -	
.XXX ± -	
ANGLES ± -	
SCALE 1/8	SHEET 1 OF 1



GRISWOLD PUMP COMPANY  
22060 VAN BUREN STREET  
GRAND TERRACE, CA 92314-9697  
PHONE: (909) 942-2222 (225) 226-5255  
WWW.GRISWOLDPUMP.COM

TITLE 3x1.5-13LF (A20) PEO, LG PF			
DRAWN BY R. Schwartz	DATE 1/19/17	ASSY. NO.	
CHECKED BY R. Beach	DATE 1/26/17	DRAWING NO.	
APPROVED BY B. Backman	DATE 1/26/17	LG0768	REV. A

THIS DOCUMENT AND ITS CONTENTS ARE PROPRIETARY TO GRISWOLD PUMP. ANY REPRODUCTION, DISCLOSURE OR USE OF THIS DOCUMENT IS EXPRESSLY PROHIBITED EXCEPT AS OTHERWISE AGREED TO IN WRITING.