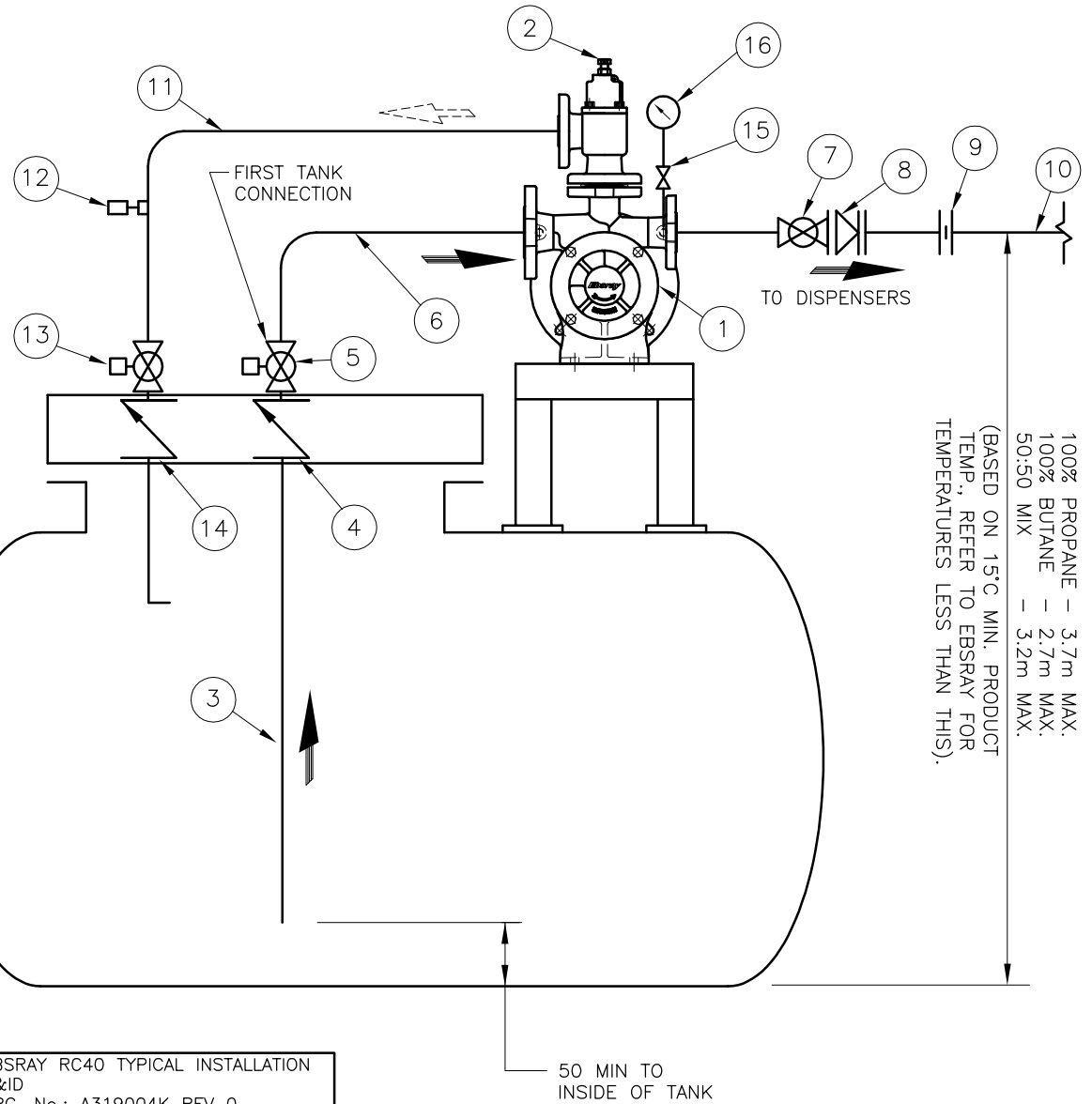


IMPORTANT NOTES

- 1 This P&ID is **TYPICAL ONLY** and Only Relates to the Specifications of the Minimum Equipment Required to Ensure the Optimum Performance, Maximum Life and Trouble-Free Operation of the Ebsray RC40 Pumpset and the Pumping System in General.
- 2 This P&ID Does **NOT** Depict:
 - 2.1 Ancillary Required Equipment Related to the Fabrication, Installation and Operation of the Pumpset e.g. Misc. Flanges, Fittings, Etc..
 - 2.2 Required Equipment unrelated to the Pumpset e.g. Tank Fill Lines, Vapour Return Lines, Emergency Shutdown Systems, Etc.
 - 2.3 The Materials and Method of Fabrication and/or Installation of the Tank and Required Sub-Systems.
- 3 It is the Responsibility of the Designer, Fabricator and the Installer of Each Actual Tank and Required Sub-Systems to Ensure that:
 - 3.1 The Ebsray Specifications within this P&ID and any other Relevant Ebsray Documents are **STRICTLY** Adhered to.
 - 3.2 Any Variation (Including Use of Equipment Deemed "Equivalent") or Addition to the Ebsray Specifications, as Related to the Pumpset and the Pumping System in General, meet Ebsray's Minimum Requirements.
 - 3.3 All Design, Fabrication and Installation of the Tank and Required Sub-Systems is **STRICTLY** in Accordance with all Relevant Federal, State and Local Codes, Regulations and Standards.
- 4 Ebsray Reserves the Right to:
 - 4.1 Withdraw or Alter Any or All of the Ebsray Specifications within this P&ID and any other Relevant Ebsray Documents without Notification.
 - 4.2 Determine the Validity of Any Warranty Claims for Ebsray Equipment Based on the Proper Application of Ebsray Supplied Equipment by the way of Adherence to the Ebsray Specifications within this P&ID and any other Relevant Ebsray Documents.



ITEM	DESCRIPTION	SUPPLY	QTY
1	EBSRAY "RC40" PUMPSET FLANGED DN40 INLET, DN25 DISCHARGE A.N.S.I CL.300 OR DIN PN40	EBSRAY	1
2	EBSRAY RV18-VRS19 OR -CBS3 BYPASS VALVE FLANGED DN25 A.N.S.I CL.300 OR NPT	EBSRAY	1
3	DN40 PIPE (PUMP INLET - IN TANK)	COM'L	1
4	DN50 EXCESS FLOW VALVE REGO A3292C (OR EQUAL)	COM'L	1
5	DN40 FULL BORE ACTUATED BALL VALVE	COM'L	1
6	DN40 PIPE (PUMP INLET - ABOVE GROUND)	COM'L	1
7	DN25 FULL BORE BALL VALVE	COM'L	1
8	DN32 SOFT SEATED BACK CHECK VALVE	COM'L	1
9	FLANGE INSULATION KIT (SIZE AS REQUIRED)	COM'L	1
10	DN25 TO DN40 PUMP DISCHARGE - DEPENDENT ON LENGTH RUN OF PIPE	COM'L	1
11	DN25 PIPE - BYPASS RETURN	COM'L	1
12	DN8 HYDROSTATIC RELIEF VALVE	COM'L	1
13	DN25 FULL BORE ACTUATED BALL VALVE	COM'L	1
14	DN25 EXCESS FLOW VALVE (NOT NON-RETURN VALVE)	COM'L	1
15	DN8 ISOLATION VALVE	COM'L	1
16	0-25 BAR PRESSURE GAUGE	COM'L	1

Ebsray
part of P&G | a DUNLOP company
ABN 52 000 061 003

EBSRAY RC40 TYPICAL INSTALLATION
P&ID
DRG. No.: A319004K REV 0
DATE: 14.09.16

50 MIN TO
INSIDE OF TANK

(BASED ON 15°C MIN. PRODUCT
TEMP., REFER TO EBSRAY FOR
TEMPERATURES LESS THAN THIS).
100% PROPANE - 3.7m MAX.
100% BUTANE - 2.7m MAX.
50:50 MIX - 3.2m MAX.