

Ebsray V30 & V35 pumps fitted with FPC (flow and pressure control) valve.

To be read in conjunction with

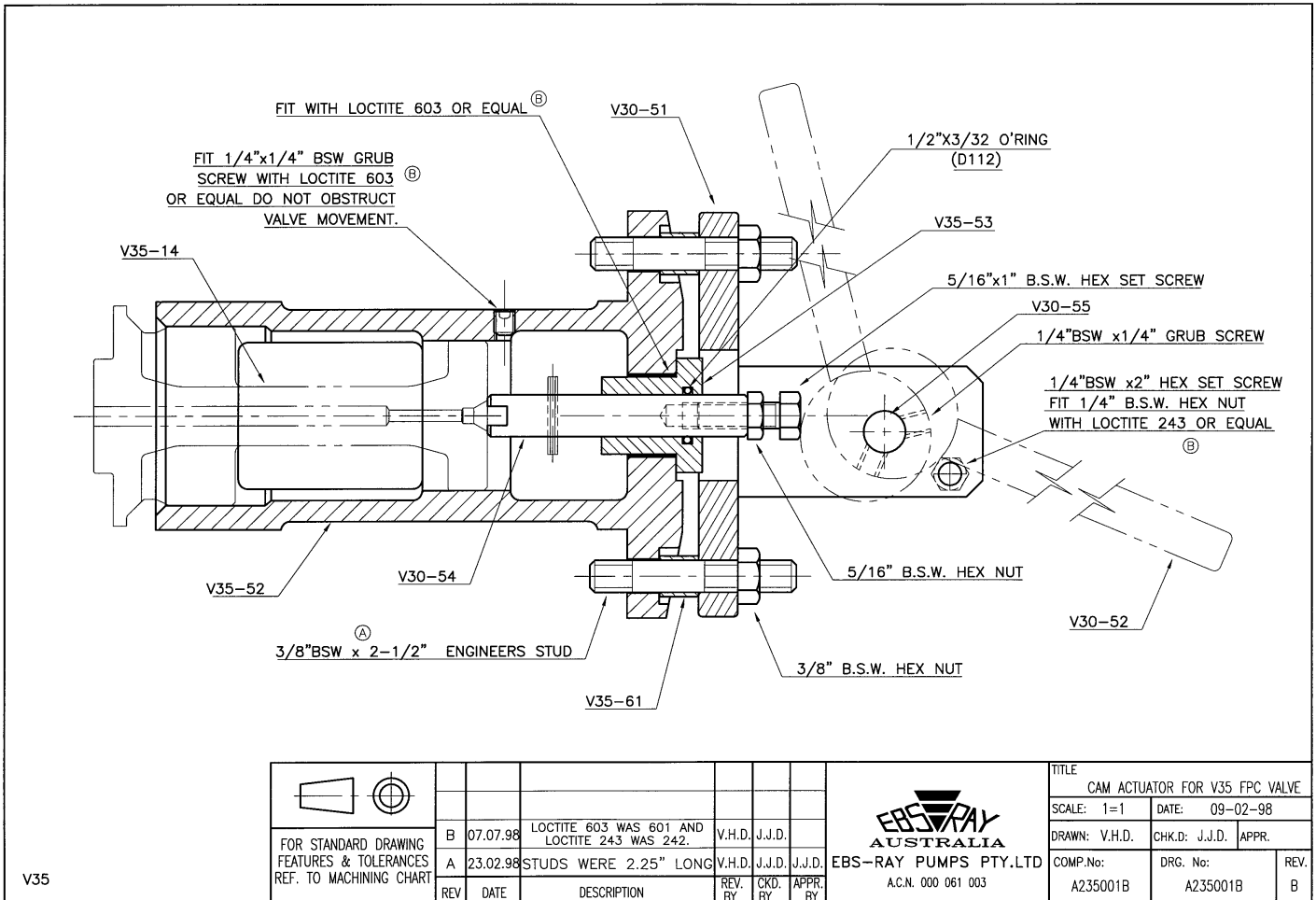
Installation, operation & Maintenance instructions Publication No 1103-1995

The FPC feature is an option on a number of V30 & V35 models and is standard on V30 & V35 type 81 and type 82. The type 81 is factory equipped with the spindle and seal only, the type 82 includes the cam and lever actuating device.

The FPC uses a spindle to enable mechanical opening of the bypass valve for reduced flow. Assembly and disassembly of these pumps is identical to the procedure outlined in this manual except for fitting of the 'O' ring and valve spindle to the bypass valve cartridge, if fitted with cam actuator the valve cartridge setscrews are replaced with studs, spacers and nuts. (refer Drawing A235001B).

DISASSEMBLY: After removing bypass valve cartridge, (IV-C Section 1 - Bypass Valve para' 5) remove spindle and spindle 'O'ring from cartridge.

REASSEMBLY: Before fitting valve to bypass valve cartridge,(IV-F section II-Bypass Valve para' 2) fit spindle 'O' ring to bypass valve cartridge, lubricate and fit spindle assembly from inside bypass valve cartridge. The short, slotted end of the spindle points toward the valve with the long end of the spindle projecting from the cover. Refer to Drawing A235001B for final reassembly detail.



V35