

LB601B PARTS LIST

Serial # _____

ID# _____

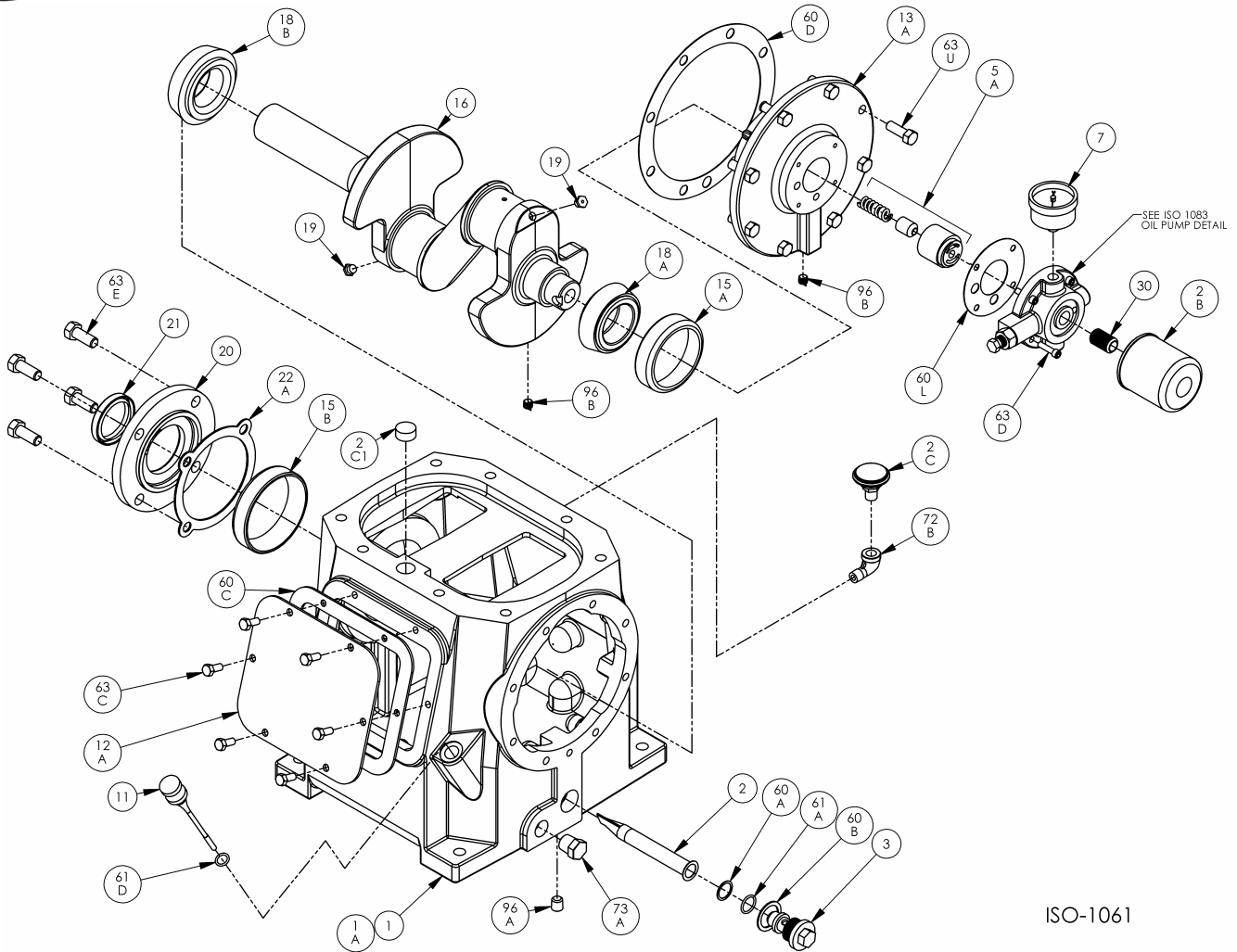
Gasket Set, Repair Kits and Special Tools

Gasket Set	Buna-N & Aluminum	794099
Top End Repair Kit		794237
Includes Piston Rings & Expanders, Packing Sets, Valves, Gaskets Oil Filter & O-rings		
Intermediate Repair Kit		794238
Includes Top End Kit plus Wrist Pins & Bushings, Connecting Rod Bearings, and Crossheads.		
Packing Installation Tool		790538
Spanner Wrench, 1/4" Adjustable		790316
Tool Kit		790199

Bulletins Needed For Complete Parts List

This page	5E-051
Crankcase	5F-031
Oil Pump	5G-011
Flywheel	5H-020
Crosshead	5J-051
Cylinder	5L-041
Head	5M-030

Notes:



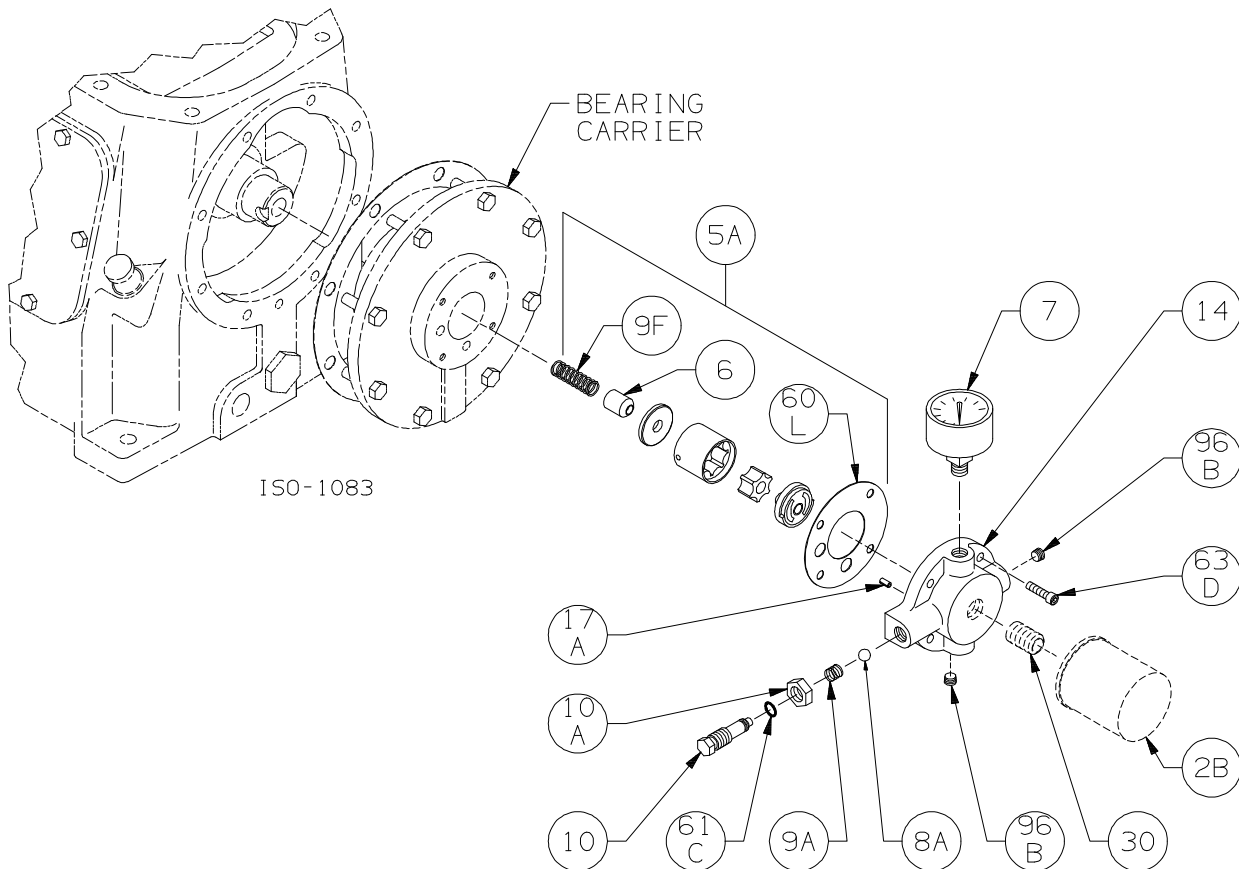
Crankcase Assembly: Models LB601B, LB602B

ISO1061

Ref	Description	Qty	Part No
1	Crankcase Assembly - with Oil Filter Crankcase Assembly - no Oil Filter	1	794758 794759
1A	Crankcase	1	794709
2	Oil Intake Screen	1	792135
2B	Oil Filter	1	794726
2C	Breather Filter (current)	1	792070
2C1	Breather Filter (Previous Construction)		794752
3	Oil Screen Plug	1	792145
5A	Oil Pump Kit	1	794760
7	Oil Pressure Gauge	1	790012
11	Oil Bayonet Assembly	1	792162
12A	Inspection Plate	1	794140
13A	Bearing Carrier	1	794714
15A	Bearing Cup (Outboard)	1	794131
15B	Bearing Cup (Inboard)	1	794731
16	Crankshaft Assembly (w/ 18A,18B,19,96B)	1	794708
18A	Bearing Cone (Outboard)	1	794130
18B	Bearing Cone (Inboard)	1	794730
19	Orifice	2	792146

Ref	Description	Qty	Part No
20	Bearing Cover Plate	1	794716
21	Oil Seal	1	794732
22A	Bearing Adjustment Shim Kit	1	794733
30	Oil Filter Fitting	1	794725
60A	Gasket - Oil Screen *	1	792136
60B	Gasket - Oil Screen Plug *	1	792123
60C	Gasket - Inspection Plate *	1	794122
60D	Gasket - Bearing Carrier Assembly*	1	794720
60L	Gasket - Oil Pump Cover *	1	794721
61A	O-Ring - Oil Screen *	1	792175
61D	O-Ring - Oil Bayonet *	1	792174
63C	Capscrew - Hex Hd	6	793116
63D	Capscrew - Soc Hd	4	790559
63E	Capscrew - Hex Hd	4	790484
63U	Capscrew - Hex Hd	8	792093
72B	Elbow	1	790453
73A	Pipe Plug	1	790024
96A	Pipe Plug	1	790488
96B	Pipe Plug	2	790309

* Included in Gasket Sets



Oil Pump Detail:

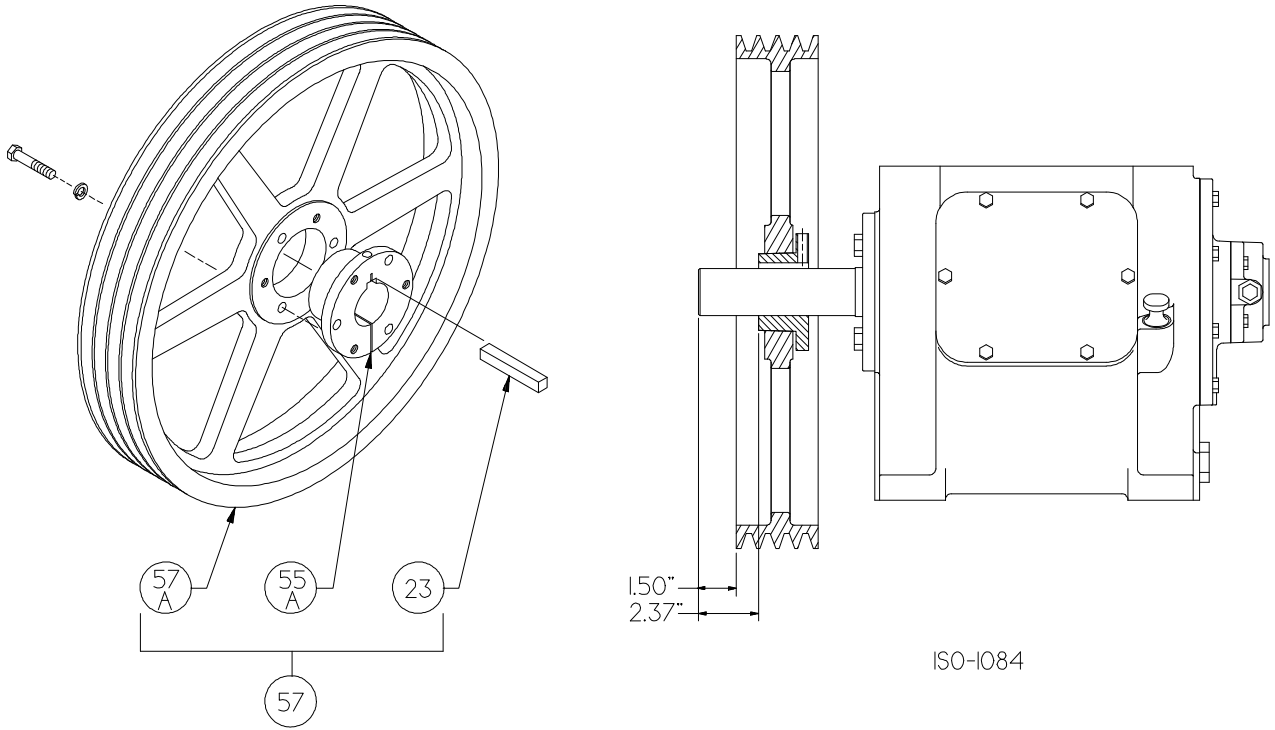
Models LB081B, LB082B, LB161B, LB162B, LB361B, LB362C,
LB601B, LB602B, LB602C, LB942A, LB942B, LB943B

ISO1083

Ref	Description	Qty	Part No
2B	Oil Filter	1	794726
5A	Oil Pump Kit (with 6, 9F, 60L)		794760
6	Oil Pump Cone	1	794750
7	Oil Pressure Gauge	1	790012
8A	Oil Pressure Adj. Ball	1	792154
9A	Oil Pressure Adj. Spring	1	792153
9F	Oil Pump Spring	1	794751
10	Oil Pressure Adj. Screw	1	792148
10A	Locknut	1	792152

Ref	Description	Qty	Part No
14	Oil Pump Cover Assembly - For Filter	1	794764
	Oil Pump Cover Assembly (both include 17A, 96B)		794763
17A	Roll Pin	1	794753
30	Oil Filter Fitting	1	794725
60L	Gasket - Oil Pump Cover *	1	794721
61C	O-Ring - Adjusting Screw *	1	792168
63D	Capscrew - Socket Head	4	790559
96B	Pipe Plug	2	790309

* Included in Gasket Sets

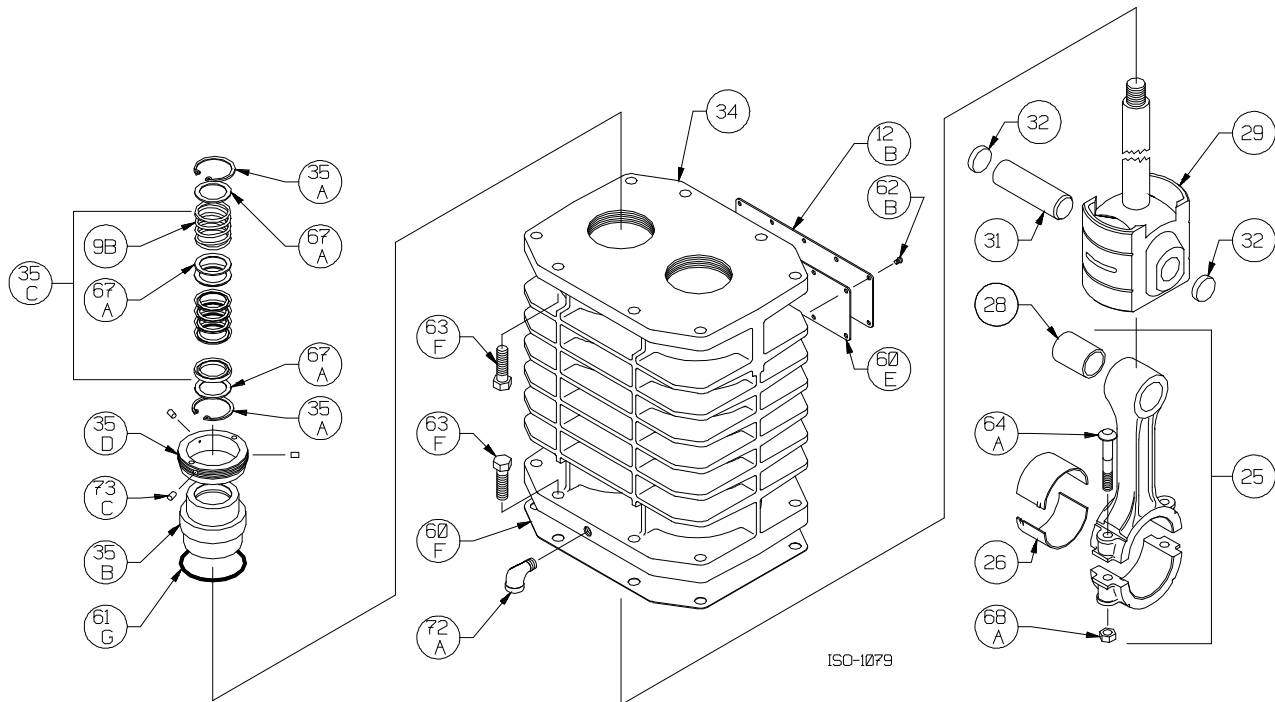


ISO-1084

Flywheel Assembly:
LB601B, LB602B

ISO1084

Ref	Description	Qty	Part No
23	Key	1	794267
55A	Hub	1	790149
57	Flywheel Assembly	1	794132
57A	Flywheel	1	790545



Crosshead Assembly: LB601B

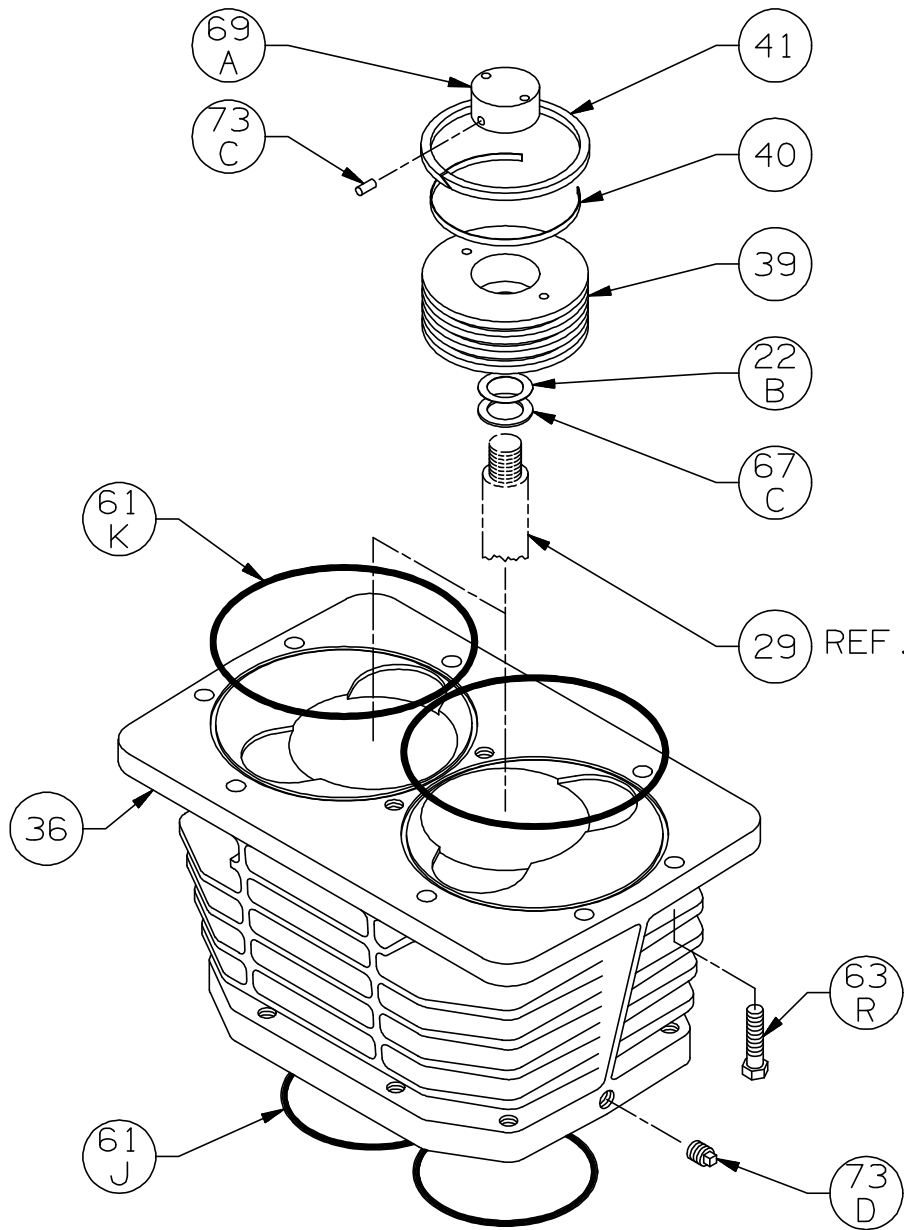
ISO1079

Ref	Description	Qty	Part No
9B	Packing Spring	2	794083
12B	Inspection Plate	1	794093
25	Connecting Rod Assembly	2	794728
26	Connecting Rod Bearing	2	794710
28	Wrist Pin Bushing **	2	794749
29	Crosshead Assembly	2	794523
31	Wrist Pin	2	794727
32	Wrist Pin Plug	4	794724
34	Crosshead Guide	1	794091
35A	Retainer Ring	4	794080
35B	Packing Box	2	794221
35C	Packing Set	2	794499

Ref	Description	Qty	Part No
35D	Hold-down Ring	2	794220
60E	Gasket - Inspection Plate *	1	794092
60F	Gasket - Crankcase *	1	794121
61G	O-Ring (Buna-N) Std *	2	794082
62B	Machine Screw - Inspection Plate	10	793096
63F	Capscrew - Hex Hd	16	794094
64A	Connecting Rod Bolt	4	794012
67A	Washer - Packing Box	6	794084
68A	Connecting Rod Bolt Nut	4	794013
72A	Elbow - Vent	1	790453
73C	Lock Plug *	6	794028

*Included in Gasket Sets

** Must be honed after installing



ISO-1021

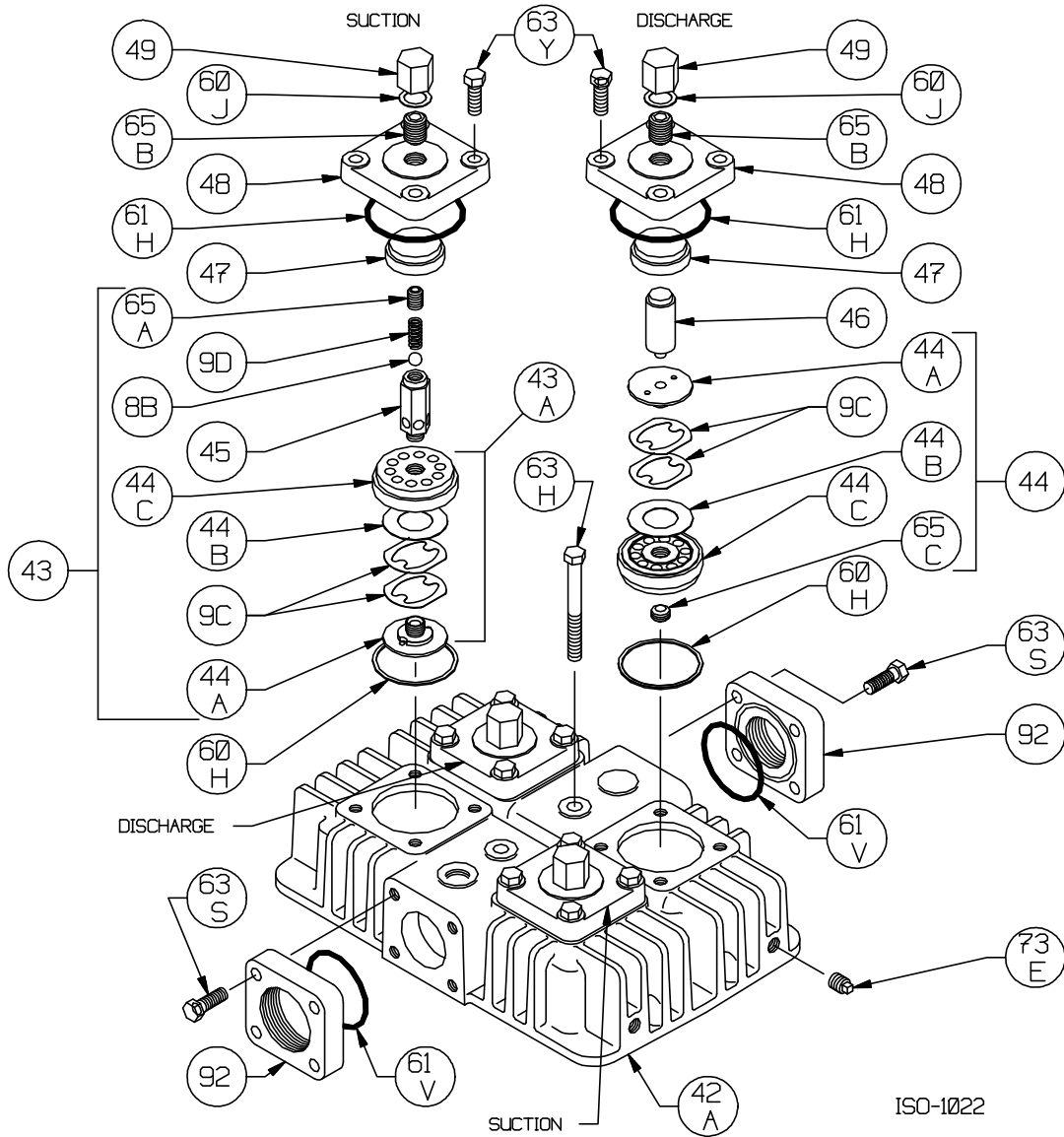
Cylinder Assembly: LB601B, LB602A, LB602B

ISO1021

Ref	Description	Qty	Part No
22B	Piston Shim - 0.015"	AR	794434
	Piston Shim - 0.007"	AR	794436
36	Cylinder	1	794103
39	Piston	2	794421
40	Expander	6	794025
41	Piston Ring	6	794024
61J	O-Ring *	2	794126

Ref	Description	Qty	Part No
61K	O-Ring *	2	794104
63R	Capscrew - Hex Hd	8	794097
67C	Thrust Washer	2	794433
69A	Piston Nut	2	794422
73C	Lock Plug *	4	794222
73D	Pipe Plug	1	793498

* Included in Gasket Sets



Head Assembly: LB601A, LB601B, LB602A, LB602B

ISO1022

Ref	Description	Qty	Part No
8B	Liquid Relief Valve Ball	2	792042
9C	Valve Spring	8	794038
9D	Liquid Relief Valve Spring	2	792045
42A	Head	1	794102
43	Suction Valve Assembly	2	794269
43A	Valve Sub-Assembly		794259
44	Discharge Valve Assembly	2	794279
44A	Valve Bumper	4	794235
44B	Valve Disc	4	794037
44C	Valve Body	4	794236
45	Liquid Relief Valve Body	2	794046
46	Post	2	794034
47	Valve Spacer	4	793061
48	Valve Cover Plate	4	794071
49	Valve Cap	4	793072

Ref	Description	Qty	Part No
60H	Gasket - Valve *	4	794107
60J	Gasket - Valve Cap *	4	793108
61H	O-Ring *	4	792112
61V	O-Ring *	2	792412
63Y	Capscrew - Hex Hd	16	793094
63H	Capscrew - Hex Hd	2	794115
63S	Capscrew - Hex Hd	8	794096
65A	Liquid Relief Valve Screw	2	794014
65B	Valve Holddown Screw	4	794068
65C	Screw	2	794042
73E	Pipe Plug	2	793498
92	Flange-Inlet (2 NPT) Std	1	794117
	Flange-Outlet (1.5 NPT) Std	1	794116
	Flange (1.25 NPT)		794118

* Included in Gasket Sets

Suggested Spare Parts for LB601B Compressors:

Part #	Description	Qty./ Unit	Comm. Qty.	Spare Qty.
794099	Gasket Set - Buna-N, Aluminum	T 1	1	1
794259	Suction Valve Sub-Assembly	T 2		2
794279	Discharge Valve	T 2		2
794024	Piston Ring	T 6	6	6
794025	Piston Ring Expander	T 6	6	6
794499	Packing Set	T 2	2	2
794726	Oil Filter	T 1		6
794727	Wrist Pin	I 2		2
794749	Wrist Pin Bushing	I 2	2	2
794710	Conrod Bearing	I 2	2	2
The following parts would normally be required only for major compressor overhaul.				
794523	Crosshead Assembly	I 2		1
794730	Inboard Bearing Cone	1		1
794130	Outboard Bearing Cone	1		1
794731	Inboard Bearing Cup	1		1
794131	Outboard Bearing Cup	1		1
794728	Conrod Assembly	2		1
794708	Crankshaft Assembly with Bearing Cones	1		
794733	Bearing Adjustment Shim Kit	1		
794760	Oil Pump Repair Kit	1		
794103	Cylinder	1		
The Following Spare Parts Kits Are Available				
794237	Top End Kit (Includes 'T' Parts)			
794238	Intermediate Kit (Includes 'T' and 'I' Parts)			

* Optional Equipment on New Compressors