

LB162B PARTS LIST

Serial # _____

ID# _____

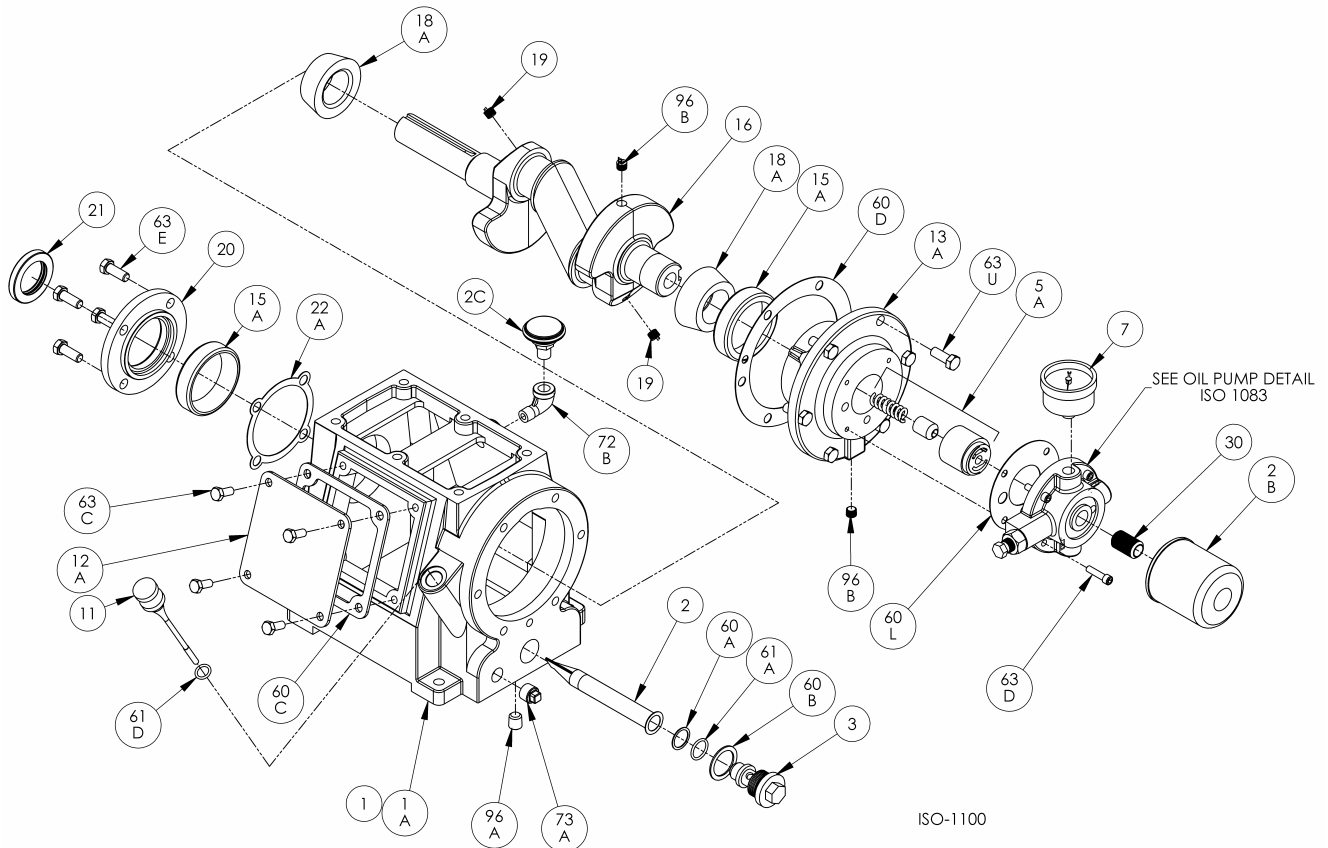
Gasket Set and Special Tools

| | | |
|---------------------------------|-------------------|--------|
| Gasket Set | Buna-N & Aluminum | 792599 |
| Packing Installation Tool | | 790536 |
| Spanner Wrench, 1/4" Adjustable | | 790316 |
| Wrench for Valve Holdown Screw | | 790535 |
| Tool Kit | | 790199 |

Bulletins Needed For Complete Parts List

| | |
|-----------|--------|
| This page | 5E-021 |
| Crankcase | 5F-011 |
| Oil Pump | 5G-011 |
| Flywhel | 5H-010 |
| Crosshead | 5J-021 |
| Cylinder | 5L-010 |
| Head | 5M-010 |

Notes:

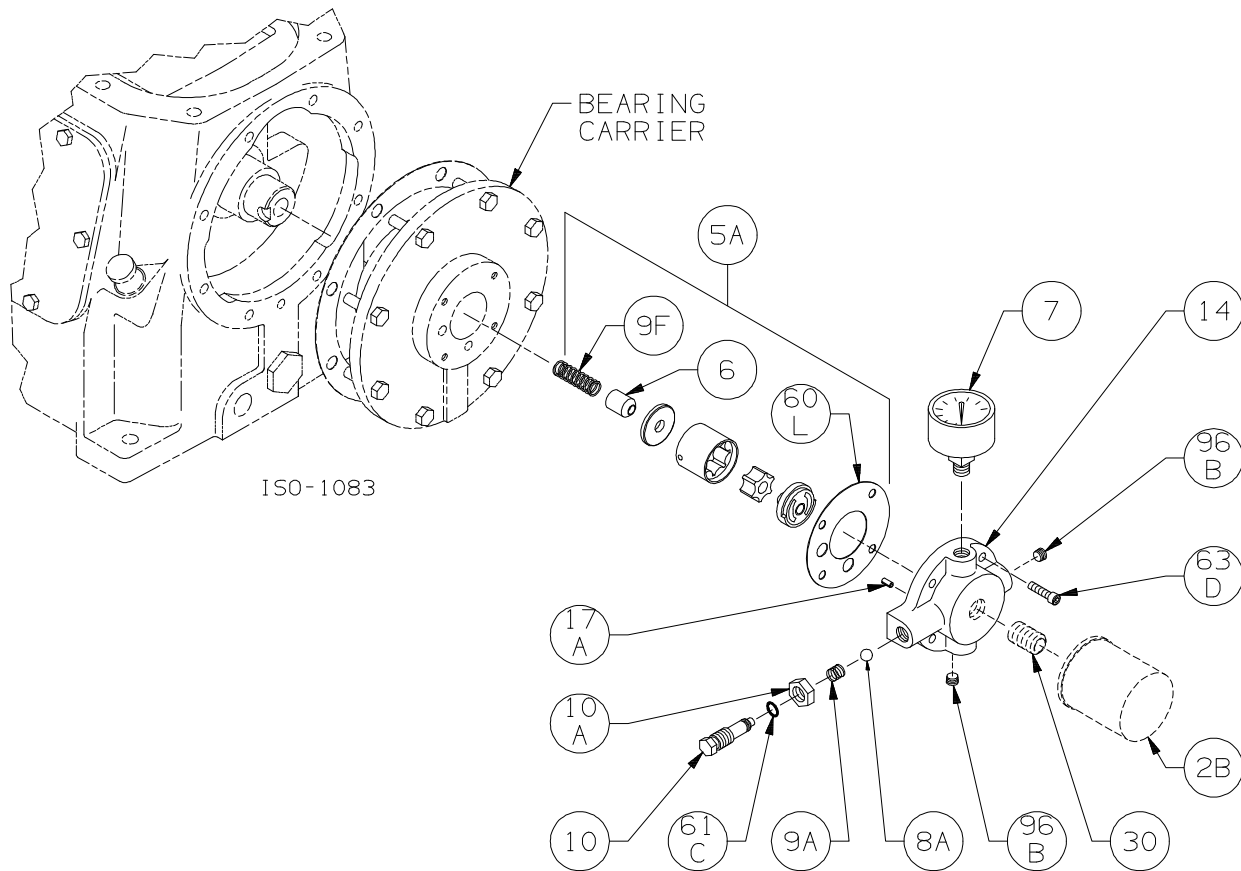

Crankcase Assembly: Models LB161B, LB162B

ISO1100

| Ref | Description | Qty | Part No |
|-----|---------------------------------------------------------------------------------------------------------------------------------------------------------------------|-----|--------------------------------------|
| 1 | Crankcase Assembly – with Oil Filter (std) Crankcase Assembly – no Oil Filter Crankcase Assembly - with Ext. Shaft Crankcase Assy - Ext Shaft & Oil Filter | 1 | 792100 792103 792155 792171 |
| 1A | Crankcase | 1 | 792102 |
| 2 | Oil Intake Screen | 1 | 792135 |
| 2B | Oil Filter | 1 | 794726 |
| 2C | Breather Filter | 1 | 792070 |
| 3 | Oil Screen Plug | 1 | 792145 |
| 5A | Oil Pump Kit | 1 | 794760 |
| 7 | Oil Pressure Gauge | 1 | 790012 |
| 11 | Oil Bayonet Assembly | 1 | 792162 |
| 12A | Inspection Plate | 1 | 792105 |
| 13A | Bearing Carrier | 1 | 792104 |
| 15A | Bearing Cup | 2 | 793126 |
| 16 | Crankshaft Assembly (w\ 18A,19,96B) Crankshaft Assembly-Ext (w\ 18A,19,96B) | 1 | 792157 792191 |
| 18A | Bearing Cone | 2 | 793142 |
| 19 | Orifice | 2 | 792146 |

| Ref | Description | Qty | Part No |
|-----|------------------------------------|-----|---------|
| 20 | Bearing Cover Plate | 1 | 793106 |
| 21 | Oil Seal | 1 | 793143 |
| 22A | Bearing Adjustment Shim Kit | 1 | 793133 |
| 30 | Oil Filter Fitting | 1 | 794725 |
| 60A | Gasket - Oil Screen * | 1 | 792136 |
| 60B | Gasket - Oil Screen Plug * | 1 | 792123 |
| 60C | Gasket - Inspection Plate * | 1 | 792122 |
| 60D | Gasket - Bearing Carrier Assembly* | 1 | 792124 |
| 60L | Gasket - Oil Pump Cover * | 1 | 794721 |
| 61A | O-Ring - Oil Screen * | 1 | 792175 |
| 61D | O-Ring - Oil Bayonet * | 1 | 792174 |
| 63C | Capscrew - Hex Hd | 4 | 793116 |
| 63D | Capscrew - Soc Hd | 4 | 790559 |
| 63E | Capscrew - Hex Hd | 4 | 792093 |
| 63U | Capscrew - Hex Hd | 6 | 792093 |
| 72B | Elbow | 1 | 790453 |
| 73A | Pipe Plug | 1 | 792166 |
| 96A | Pipe Plug | 1 | 790488 |
| 96B | Pipe Plug | 2 | 790309 |

* Included in Gasket Sets



Oil Pump Detail:

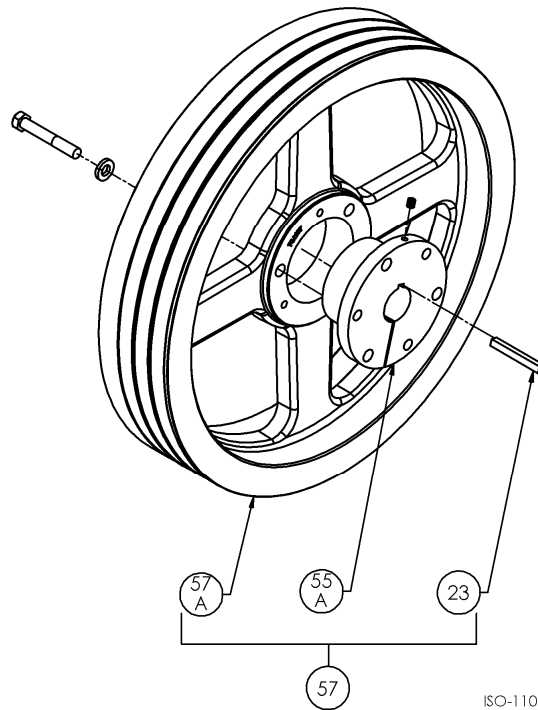
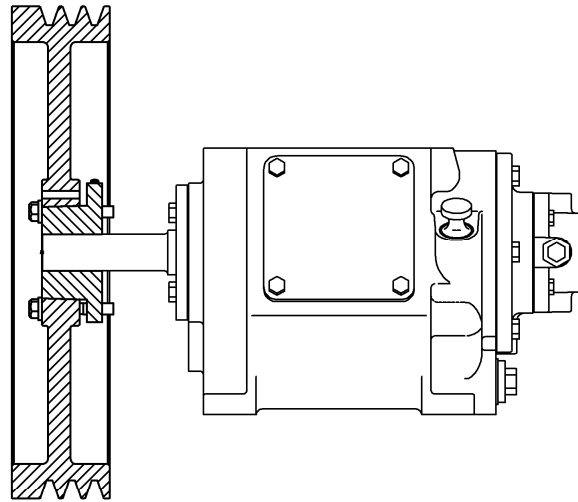
Models LB081B, LB082B, LB161B, LB162B, LB361B, LB362C,
LB601B, LB602B, LB602C, LB942A, LB942B, LB943B

ISO1083

| Ref | Description | Qty | Part No |
|-----|--------------------------------|-----|---------|
| 2B | Oil Filter | 1 | 794726 |
| 5A | Oil Pump Kit (with 6, 9F, 60L) | | 794760 |
| 6 | Oil Pump Cone | 1 | 794750 |
| 7 | Oil Pressure Gauge | 1 | 790012 |
| 8A | Oil Pressure Adj. Ball | 1 | 792154 |
| 9A | Oil Pressure Adj. Spring | 1 | 792153 |
| 9F | Oil Pump Spring | 1 | 794751 |
| 10 | Oil Pressure Adj. Screw | 1 | 792148 |
| 10A | Locknut | 1 | 792152 |

| Ref | Description | Qty | Part No |
|-----|----------------------------------------------------|-----|---------|
| 14 | Oil Pump Cover Assembly - For Filter | 1 | 794764 |
| | Oil Pump Cover Assembly (both include 17A, 96B) | | 794763 |
| 17A | Roll Pin | 1 | 794753 |
| 30 | Oil Filter Fitting | 1 | 794725 |
| 60L | Gasket - Oil Pump Cover * | 1 | 794721 |
| 61C | O-Ring - Adjusting Screw * | 1 | 792168 |
| 63D | Capscrew - Socket Head | 4 | 790559 |
| 96B | Pipe Plug | 2 | 790309 |

* Included in Gasket Sets



Flywheel Assembly:

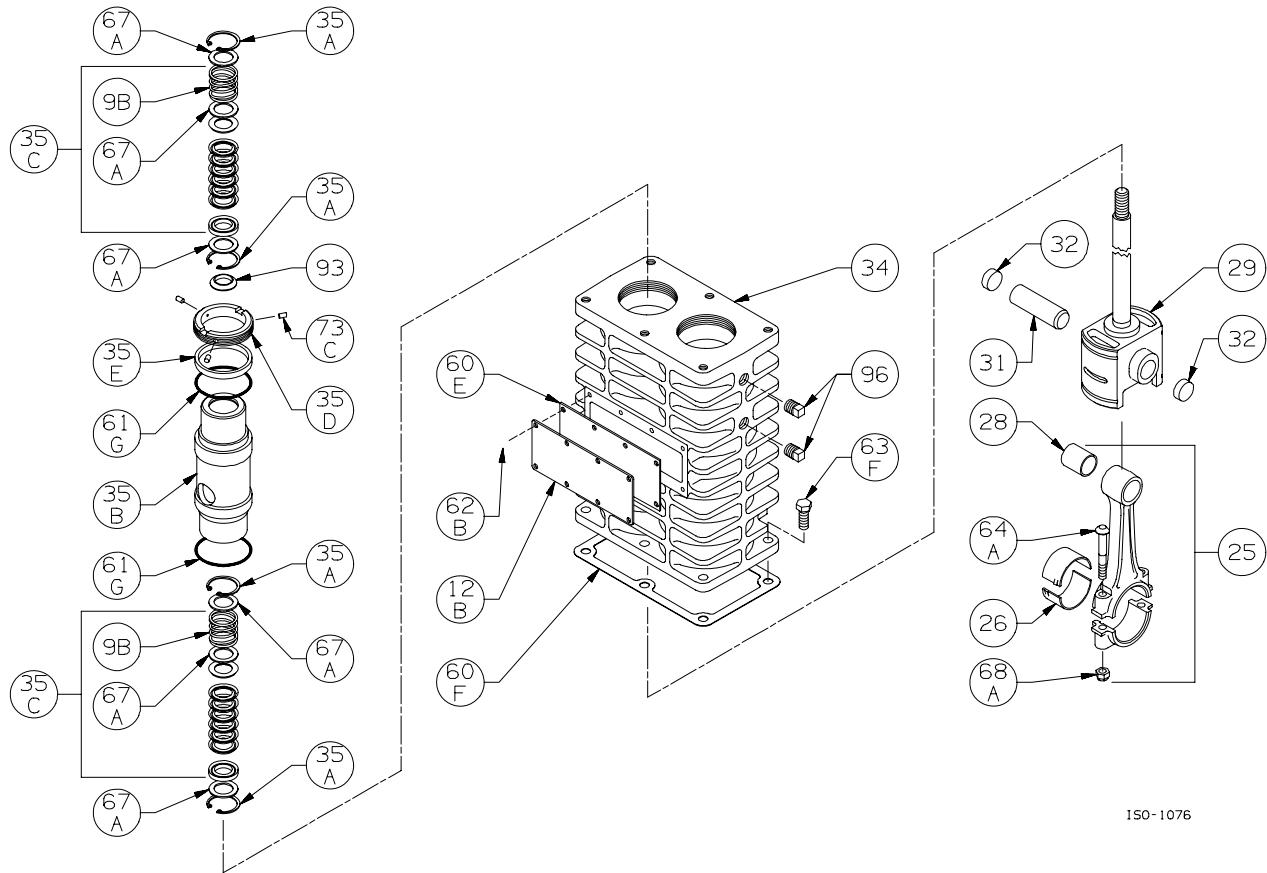
Models LB081B, LB082B, LB161B, LB162B

| Ref | Description | Qty | Part No |
|-----|-------------------|-----|---------|
| 23 | Key | 1 | 792167 |
| 55A | Hub (SF 1.25") | 1 | 790563 |
| 57 | Flywheel Assembly | 1 | 792073 |
| 57A | Flywheel | 1 | 792197 |

S1106

Models LB361B, LB362C

| Ref | Description | Qty | Part No |
|-----|-------------------|-----|---------|
| 23 | Key | 1 | 793167 |
| 55A | Hub | 1 | 790143 |
| 57 | Flywheel Assembly | 1 | 793047 |
| 57A | Flywheel | 1 | 792197 |



Crosshead Assembly: LB162B

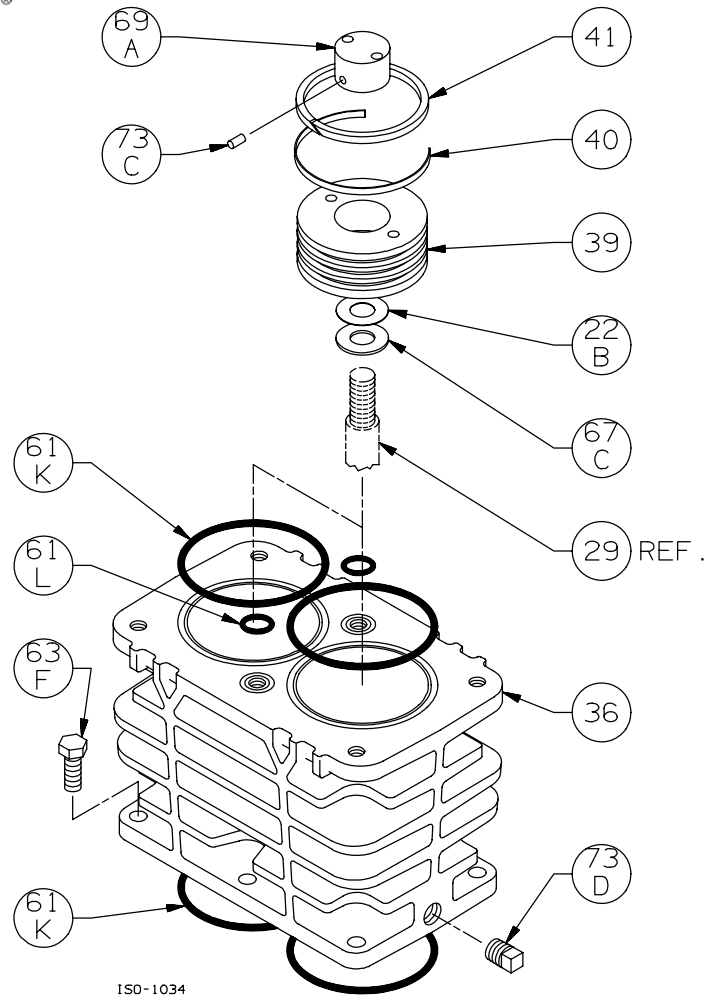
ISO1076

| Ref | Description | Qty | Part No |
|-----|-------------------------|-----|---------|
| 9B | Packing Spring | 4 | 792077 |
| 12B | Inspection Plate | 1 | 792017 |
| 25 | Connecting Rod Assembly | 2 | 792009 |
| 26 | Connecting Rod Bearing | 2 | 792012 |
| 28 | Wrist Pin Bushing ** | 2 | 792013 |
| 29 | Crosshead Assembly | 2 | 792429 |
| 31 | Wrist Pin | 2 | 792014 |
| 32 | Wrist Pin Plug | 4 | 792178 |
| 34 | Crosshead Guide | 1 | 792455 |
| 35A | Retainer Ring | 8 | 793404 |
| 35B | Packing Box | 2 | 792502 |
| 35C | Packing Set | 4 | 793499 |
| 35D | Hold-down Ring | 2 | 793220 |

| Ref | Description | Qty | Part No |
|-----|----------------------------------|-----|---------|
| 35E | Spacer Ring | 2 | 793402 |
| 60E | Gasket - Inspection Plate * | 1 | 792092 |
| 60F | Gasket - Crankcase * | 1 | 792121 |
| 61G | O-Ring (Buna-N) Std * | 4 | 792125 |
| 62B | Machine Screw - Inspection Plate | 8 | 793096 |
| 63F | Capscrew - Hex Hd | 6 | 792093 |
| 64A | Connecting Rod Bolt | 4 | 792006 |
| 67A | Washer - Packing Box | 12 | 792087 |
| 68A | Connecting Rod Bolt Nut | 4 | 792005 |
| 73C | Lock Plug * | 6 | 792030 |
| 93 | Oil Deflector Ring | 2 | 793478 |
| 96 | Pipe Plug | 4 | 793498 |

*Included in Gasket Sets

** Must be honed after installing

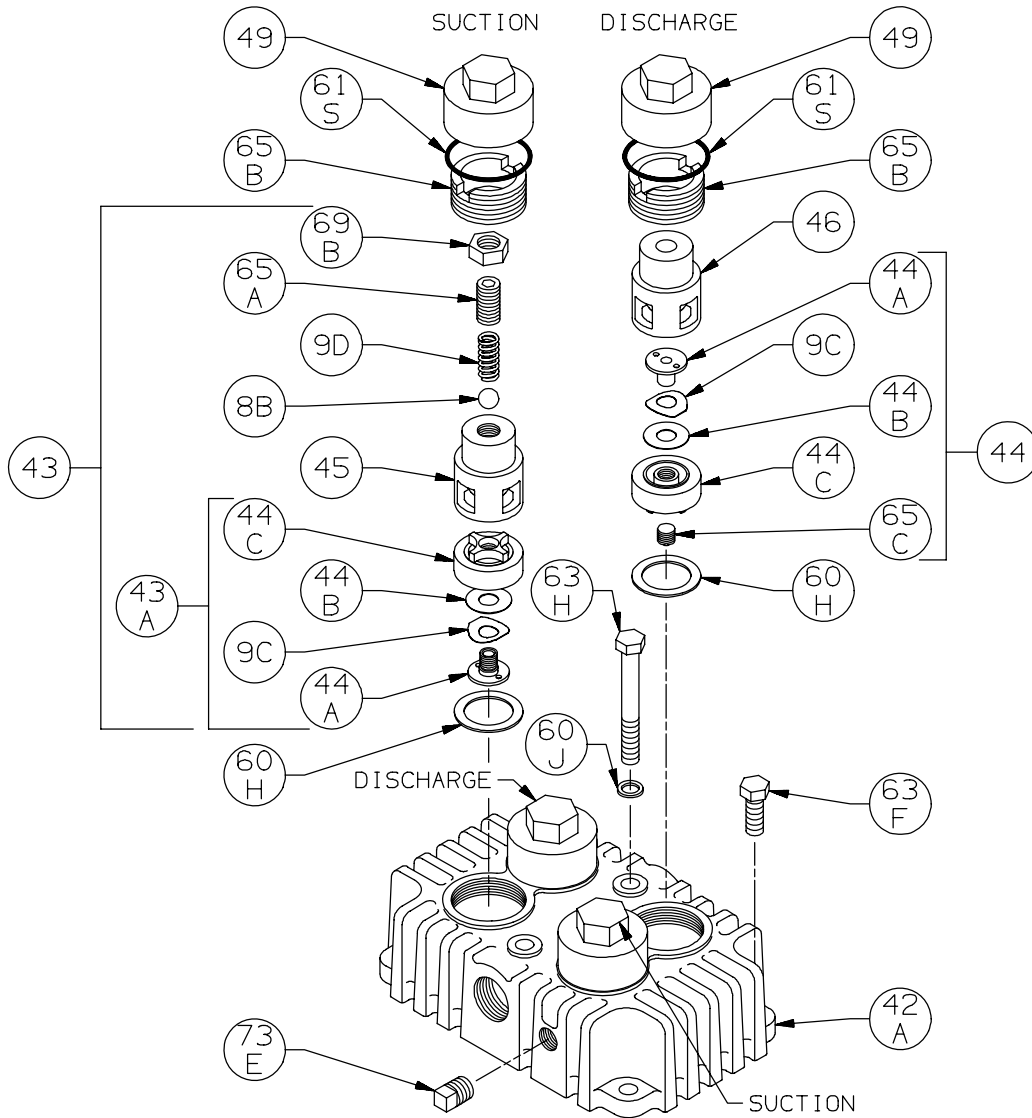


Cylinder Assembly:
Models LB161, LB161B, LB162B

ISO1034

| Ref | Description | Qty | Part No |
|-----|---------------------|-----|---------|
| 22B | Piston Shim - 0.015 | AR | 792034 |
| | Piston Shim - 0.007 | AR | 792050 |
| 36 | Cylinder | 1 | 792101 |
| 39 | Piston | 2 | 792031 |
| 40 | Expander | 6 | 792022 |
| 41 | Piston Ring | 6 | 792018 |
| 61K | O-Ring * | 4 | 792112 |
| 61L | O-Ring * | 2 | 792114 |
| 63F | Capscrew - Hex Hd | 6 | 792093 |
| 67C | Thrust Washer | 2 | 792033 |
| 69A | Piston Nut | 2 | 793022 |
| 73C | Lock Plug * | 4 | 793028 |
| 73D | Pipe Plug | 1 | 793498 |

* Included in Gasket Sets



ISO-1033

Head Assembly: Models LB161, LB161B, LB162, LB162B

ISO1033

| Ref | Description | Qty | Part No |
|-----|----------------------------|-----|---------|
| 8B | Liquid Relief Valve Ball | 2 | 792042 |
| 9C | Valve Spring | 4 | 792038 |
| 9D | Liquid Relief Valve Spring | 2 | 792045 |
| 42A | Head | 1 | 792111 |
| 43 | Suction Valve Assembly | 2 | 792269 |
| 43A | Valve Sub-Assembly | 0 | 792259 |
| 44 | Discharge Valve Assembly | 2 | 792279 |
| 44A | Valve Bumper | 4 | 792235 |
| 44B | Valve Disc | 4 | 792037 |
| 44C | Valve Body | 4 | 792236 |
| 45 | Liquid Relief Valve Body | 2 | 792046 |
| 46 | Cage | 2 | 792051 |

| Ref | Description | Qty | Part No |
|-----|-----------------------------|-----|---------|
| 49 | Valve Cap | 4 | 792003 |
| 60H | Gasket - Valve * | 4 | 792107 |
| 60J | Gasket - Center Head Bolt * | 2 | 792113 |
| 61S | O-Ring * | 4 | 792306 |
| 63F | Capscrew - Hex Hd | 4 | 792093 |
| 63H | Capscrew - Hex Hd | 2 | 792095 |
| 65A | Liquid Relief Valve Screw | 2 | 792043 |
| 65B | Valve Holddown Screw | 4 | 792002 |
| 65C | Screw | 2 | 792234 |
| 69B | Nut | 2 | 792044 |
| 73E | Pipe Plug | 2 | 793498 |

* Included in Gasket Sets

Suggested Spare Parts for LB162B Compressors:

| Part # | Description | Qty./ Unit | Comm. Qty. | Spare Qty. |
|------------------------------------------------------------------------------------|--------------------------------|------------|------------|------------|
| 792599 | Gasket Set - Buna-N, Aluminum | 1 | 1 | 1 |
| 792259 | Suction Valve Sub-Assembly | 2 | | 2 |
| 792279 | Discharge Valve | 2 | | 2 |
| 792018 | Piston Ring | 6 | 6 | 6 |
| 792022 | Piston Ring Expander | 6 | 6 | 6 |
| 793499 | Packing Set | 4 | 4 | 4 |
| 794726 | Oil Filter | 1 | | 6 |
| 792014 | Wrist Pin | 2 | | 2 |
| 792013 | Wrist Pin Bushing | 2 | 2 | 2 |
| 792012 | Conrod Bearing | 2 | 2 | 2 |
| The following parts would normally be required only for major compressor overhaul. | | | | |
| 793142 | Bearing Cone | 2 | | 2 |
| 793126 | Bearing Cup | 2 | | 2 |
| 792429 | Crosshead Assembly | 2 | | 1 |
| 792009 | Conrod Assembly | 2 | | 1 |
| 794760 | Oil Pump Repair Kit | 1 | | |
| 792157 | Crankshaft Assembly | 1 | | |
| 792191 | Extended Crankshaft Assembly * | | | |
| 793133 | Bearing Adjustment Shim Kit | 1 | | |
| 792101 | Cylinder | 1 | | |

* Optional Equipment on New Compressors