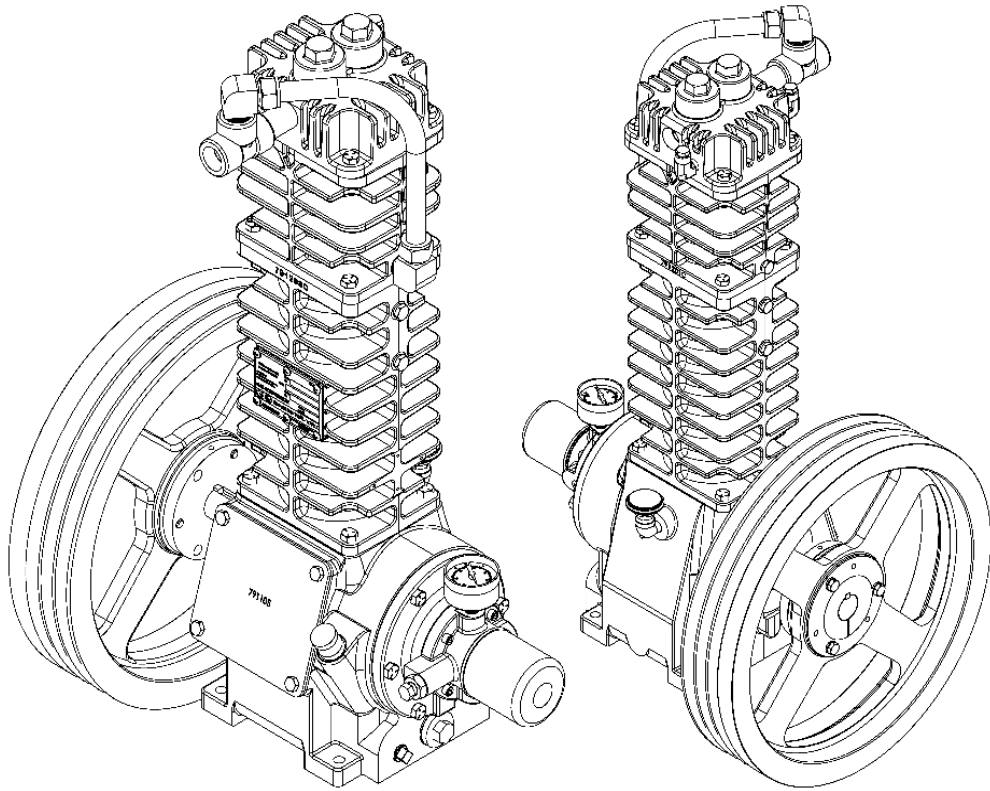


LB082B PARTS LIST

Serial # _____

ID# _____



Gasket Set, Repair Kits and Special Tools

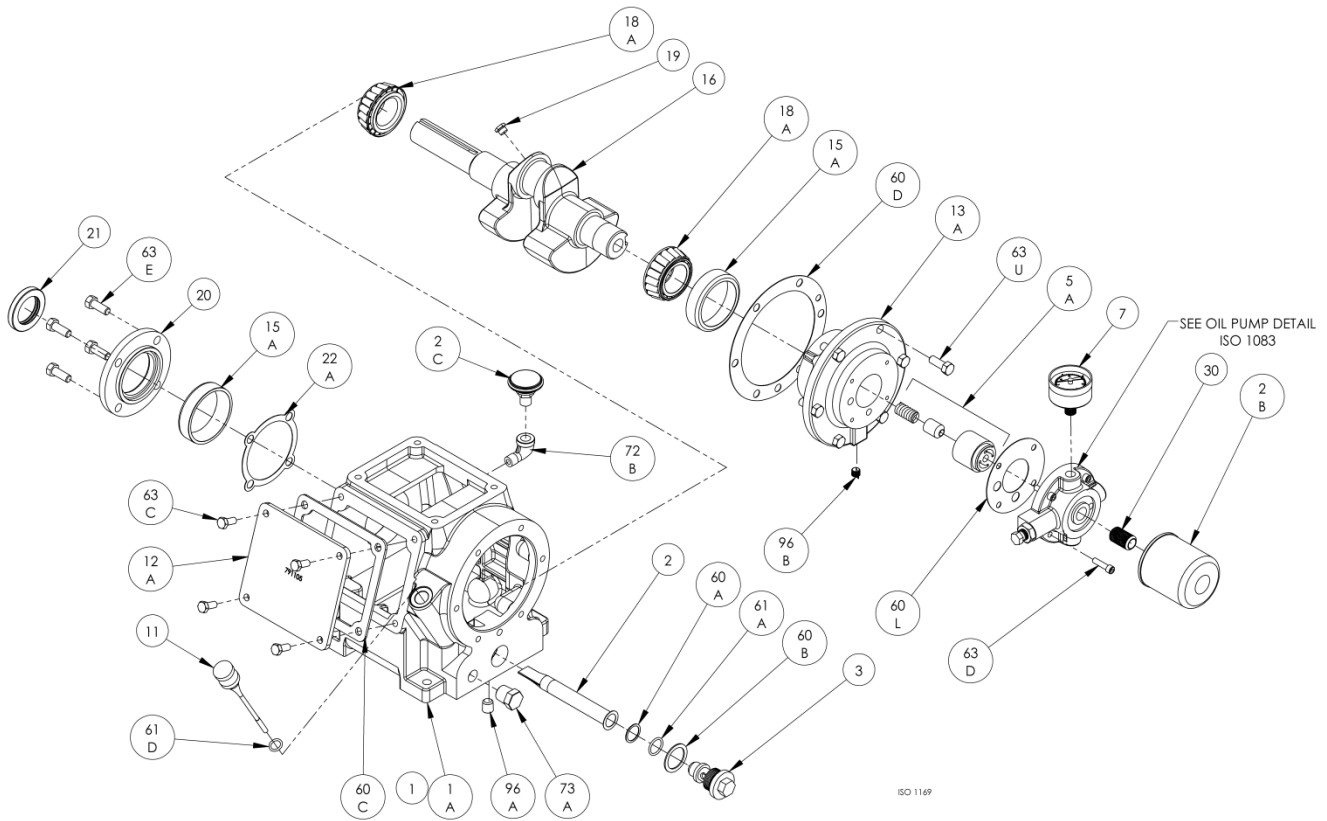
Gasket Set	Buna-N & Aluminum	791298
Packing Installation Tool		790536
Spanner Wrench, 1/4" Adjustable		790316
Wrench for Valve Holdown Screw		790535
Tool Kit		790199

Bulletins Needed For Complete Parts List

This page	5E-005
Crankcase	5F-050
Oil Pump	5G-011
Flywheel	5H-010
Crosshead	5J-005
Cylinder	5L-060
Head	5M-040

Suggested Spare Parts for LB082B Compressors:

Part #	Description	Qty./ Unit	Comm. Qty.	Spare Qty.
791298	Gasket Set - Buna-N, Aluminum	1	1	1
792259	Suction Valve Sub-Assembly	1		1
792279	Discharge Valve	1		1
792018	Piston Ring	3	3	3
792022	Piston Ring Expander	3	3	3
793499	Packing Set	2	2	2
794726	Oil Filter	1		1
792014	Wrist Pin	1		1
792013	Wrist Pin Bushing	1	1	1
792012	Conrod Bearing	1	1	1
The following parts would normally be required only for major compressor overhaul.				
792429	Crosshead Assembly	1		1
793142	Bearing Cone	2		2
793126	Bearing Cup	2		2
792009	Conrod Assembly	1		1
791257	Crankshaft Assembly with Bearing Cones	1		
793133	Bearing Adjustment Shim Kit	1		
794760	Oil Pump Repair Kit	1		
791201	Cylinder	1		



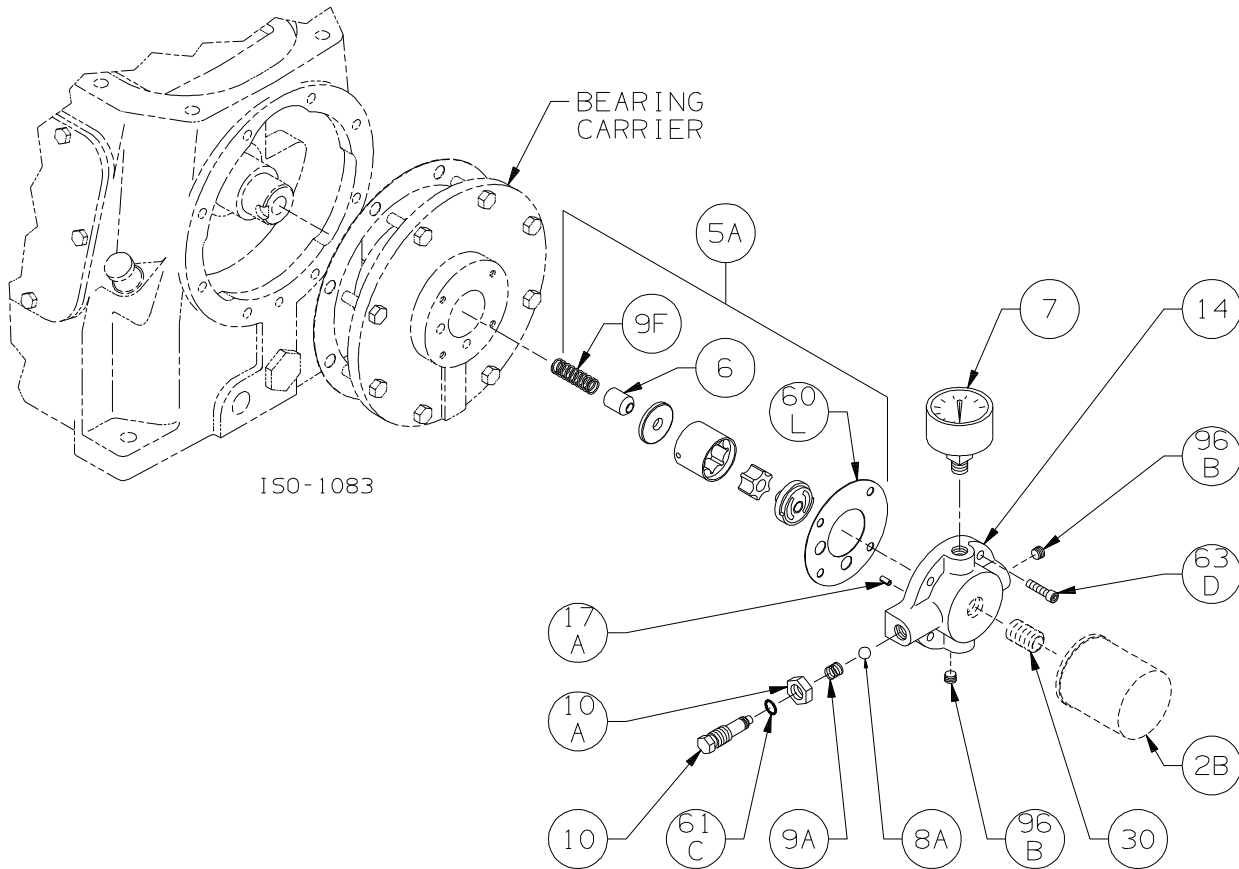
Crankcase Assembly: Models LB081B, LB082B

ISO1169

Ref	Description	Qty	Part No
1	Crankcase Assembly – with Oil Filter	1	791241
1A	Crankcase	1	791202
2	Oil Intake Screen	1	792135
2B	Oil Filter	1	794726
2C	Breather Filter	1	792070
3	Oil Screen Plug	1	792145
5A	Oil Pump Kit	1	794760
7	Oil Pressure Gauge	1	790012
11	Oil Bayonet Assembly	1	792162
12A	Inspection Plate	1	791205
13A	Bearing Carrier	1	792104
15A	Bearing Cup	2	793126
16	Crankshaft Assembly (w\ 18A,19)	1	791257
18A	Bearing Cone	2	793142
19	Orifice	1	792146
20	Bearing Cover Plate	1	793106
21	Oil Seal	1	793143

Ref	Description	Qty	Part No
22A	Bearing Adjustment Shim Kit	1	793133
30	Oil Filter Fitting	1	794725
60A	Gasket - Oil Screen *	1	792136
60B	Gasket - Oil Screen Plug *	1	792123
60C	Gasket - Inspection Plate *	1	791222
60D	Gasket - Bearing Carrier Assembly*	1	792124
60L	Gasket - Oil Pump Cover *	1	794721
61A	O-Ring - Oil Screen *	1	792175
61D	O-Ring - Oil Bayonet *	1	792174
63C	Capscrew - Hex Hd	4	793116
63D	Capscrew - Soc Hd	4	790559
63E	Capscrew - Hex Hd	4	792093
63U	Capscrew - Hex Hd	6	792093
72B	Elbow	1	790453
73A	Pipe Plug	1	792166
96A	Pipe Plug	1	790488
96B	Pipe Plug	1	790309

* Included in Gasket Sets



Oil Pump Detail:

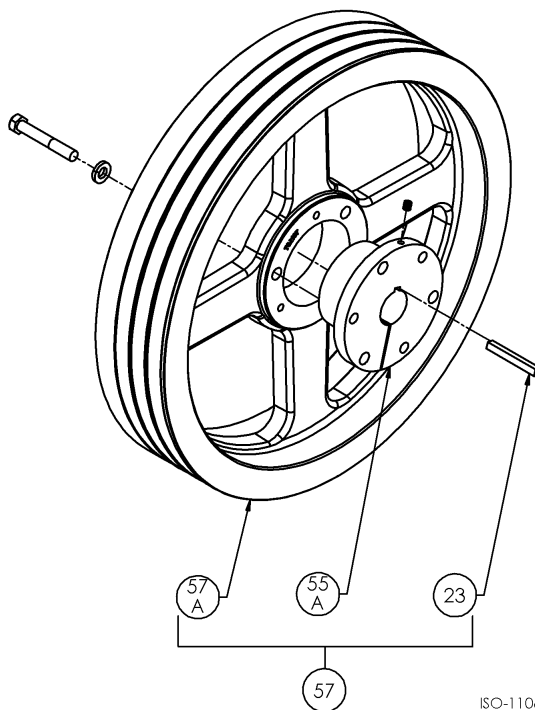
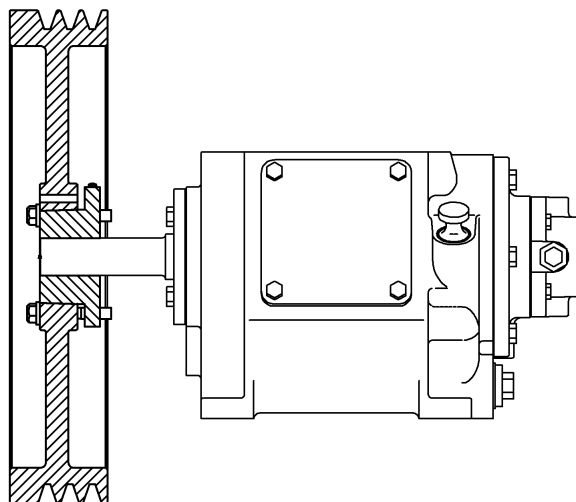
Models LB081B, LB082B, LB161B, LB162B, LB361B,
LB362C, LB601B, LB602B, LB602C, LB942A, LB942B

ISO1083

Ref	Description	Qty	Part No
2B	Oil Filter	1	794726
5A	Oil Pump Kit (with 6, 9F, 60L)		794760
6	Oil Pump Cone	1	794750
7	Oil Pressure Gauge	1	790012
8A	Oil Pressure Adj. Ball	1	792154
9A	Oil Pressure Adj. Spring	1	792153
9F	Oil Pump Spring	1	794751
10	Oil Pressure Adj. Screw	1	792148
10A	Locknut	1	792152

Ref	Description	Qty	Part No
14	Oil Pump Cover Assembly - For Filter	1	794764
	Oil Pump Cover Assembly (both include 17A, 96B)		794763
17A	Roll Pin	1	794753
30	Oil Filter Fitting	1	794725
60L	Gasket - Oil Pump Cover *	1	794721
61C	O-Ring - Adjusting Screw *	1	792168
63D	Capscrew - Socket Head	4	790559
96B	Pipe Plug	2	790309

* Included in Gasket Sets



Flywheel Assembly:

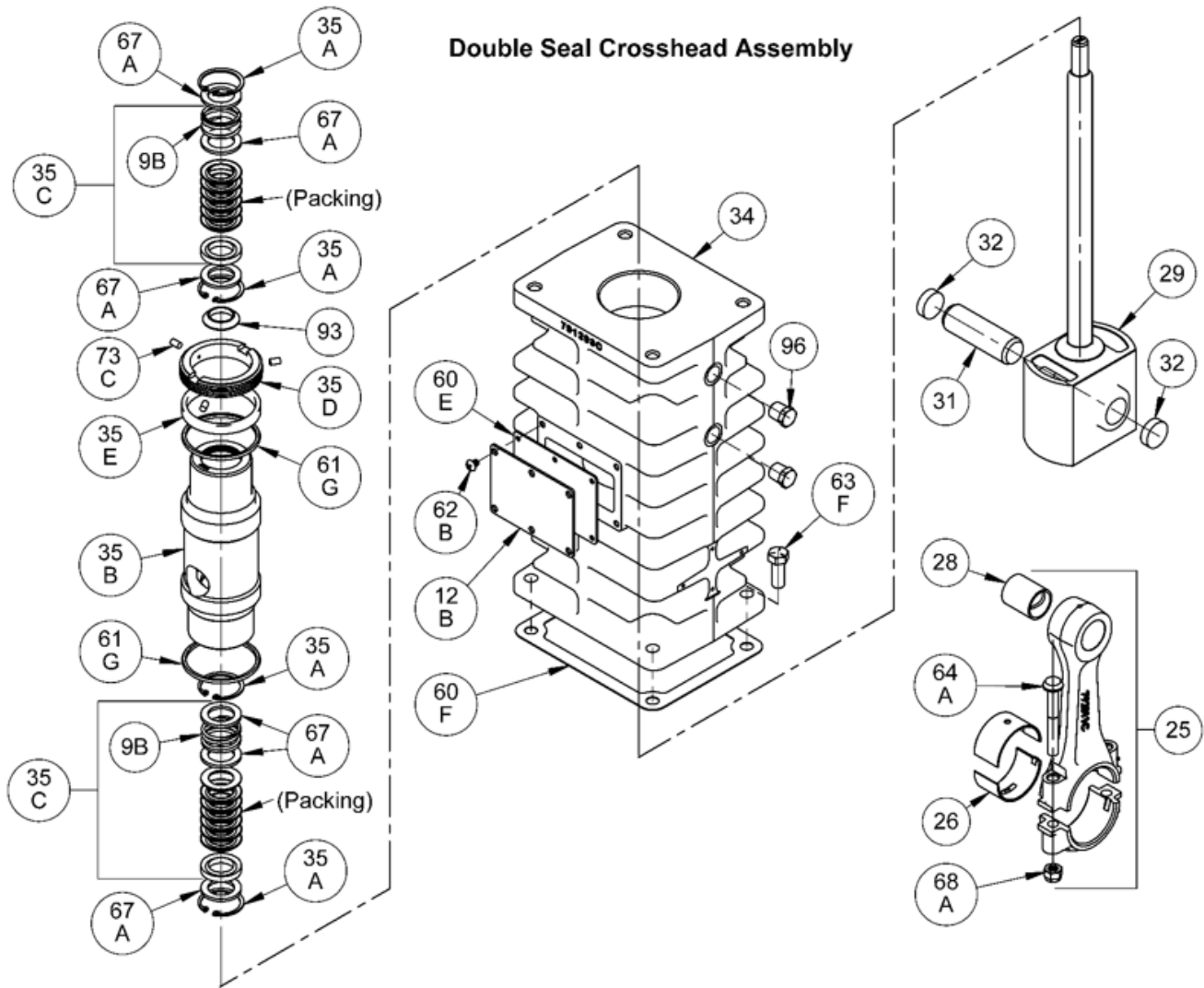
S1106

Models LB081B, LB082B, LB161B, LB162B

Models LB361B, LB362C

Ref	Description	Qty	Part No
23	Key	1	792167
55A	Hub (SF 1.25")	1	790563
57	Flywheel Assembly	1	792073
57A	Flywheel	1	792197

Ref	Description	Qty	Part No
23	Key	1	793167
55A	Hub	1	790143
57	Flywheel Assembly	1	793047
57A	Flywheel	1	792197



Crosshead Assembly: LB082B

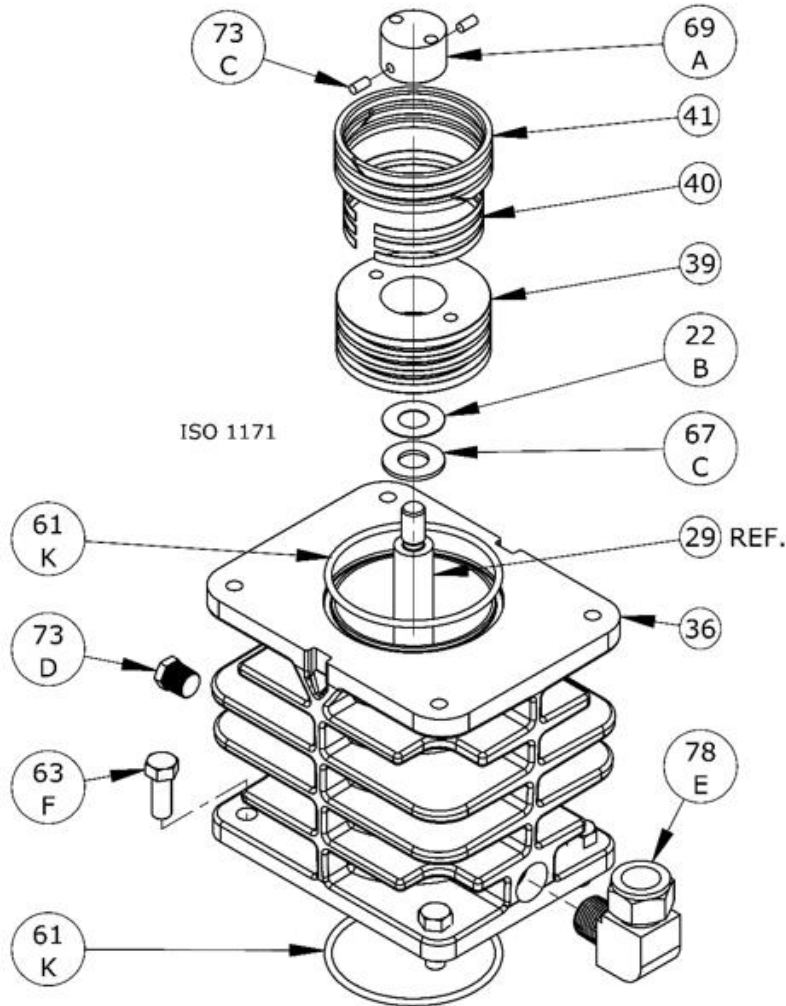
ISO1170

Ref	Description	Qty	Part No
9B	Packing Spring	2	792077
12B	Inspection Plate	1	791217
25	Connecting Rod Assembly	1	792009
26	Connecting Rod Bearing	1	792012
28	Wrist Pin Bushing **	1	792013
29	Crosshead Assembly	1	792429
31	Wrist Pin	1	792014
32	Wrist Pin Plug	2	792178
34	Crosshead Guide	1	791293
35A	Retainer Ring	4	793404
35B	Packing Box	1	792502
35C	Packing Set	2	793499
35D	Hold-down Ring	1	793220

Ref	Description	Qty	Part No
35E	Spacer Ring	1	793402
60E	Gasket - Inspection Plate *	1	791292
60F	Gasket - Crankcase *	1	791221
61G	O-Ring *	2	792125
62B	Machine Screw - Inspection Plate	6	793096
63F	Capscrew - Hex Hd	4	792093
64A	Connecting Rod Bolt	2	792006
67A	Washer - Packing Box	6	792087
68A	Connecting Rod Bolt Nut	2	792005
73C	Lock Plug *	3	792030
93	Oil Deflector Ring	1	793478
96	Pipe Plug	4	793498

* Included in Gasket Sets

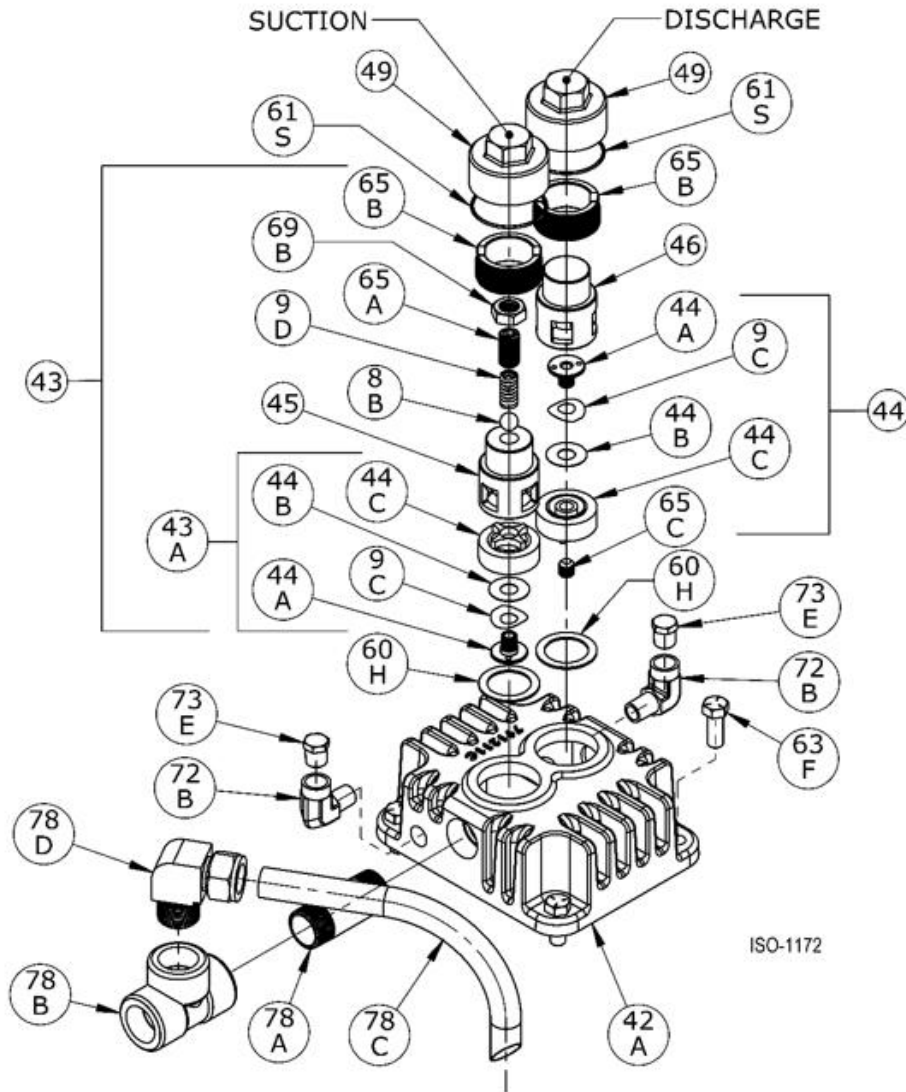
** Must be honed after installing



Cylinder Assembly: Model LB081B, LB082B ISO1171

Ref	Description	Qty	Part No
22B	Piston Shim - 0.015	AR	792034
	Piston Shim - 0.007	AR	792050
36	Cylinder	1	791201
39	Piston	1	792031
40	Expander	3	792022
41	Piston Ring	3	792018
61K	O-Ring *	2	792112
63F	Capscrew - Hex Hd	4	792093
67C	Thrust Washer	1	792033
69A	Piston Nut	1	793022
73C	Lock Plug *	2	793028
73D	Pipe Plug	1	793498
78E	Tubing Elbow, Suction Pipe	1	790392

* Included in Gasket Sets



Head Assembly: Models LB081B, LB082B

ISO1172

Ref	Description	Qty	Part No
8B	Liquid Relief Valve Ball	1	792042
9C	Valve Spring	2	792038
9D	Liquid Relief Valve Spring	1	792045
42A	Head	1	791211
43	Suction Valve Assembly	1	792269
43A	Valve Sub-Assembly		792259
44	Discharge Valve Assembly	1	792279
44A	Valve Bumper	2	792235
44B	Valve Disc	2	792037
44C	Valve Body	2	792236
45	Liquid Relief Valve Body	1	792046
46	Cage	1	792051
49	Valve Cap	2	792003

Ref	Description	Qty	Part No
60H	Gasket - Valve *	2	792107
61S	O-Ring *	2	792306
63F	Capscrew - Hex Hd	4	792093
65A	Liquid Relief Valve Screw	1	792043
65B	Valve Hold Down Screw	2	792002
65C	Screw	1	792234
69B	Nut	1	792044
72B	Elbow	2	790296
73E	Pipe Plug	2	793498
78A	Nipple, Suction Pipe	1	790541
78B	Tee, Suction Pipe	1	790121
78C	Tubing, Suction Pipe	1	791295
78D	Elbow, Suction Pipe	1	790391

* Included in Gasket Sets