

## HDL342C PARTS LIST

Serial # \_\_\_\_\_

ID# \_\_\_\_\_

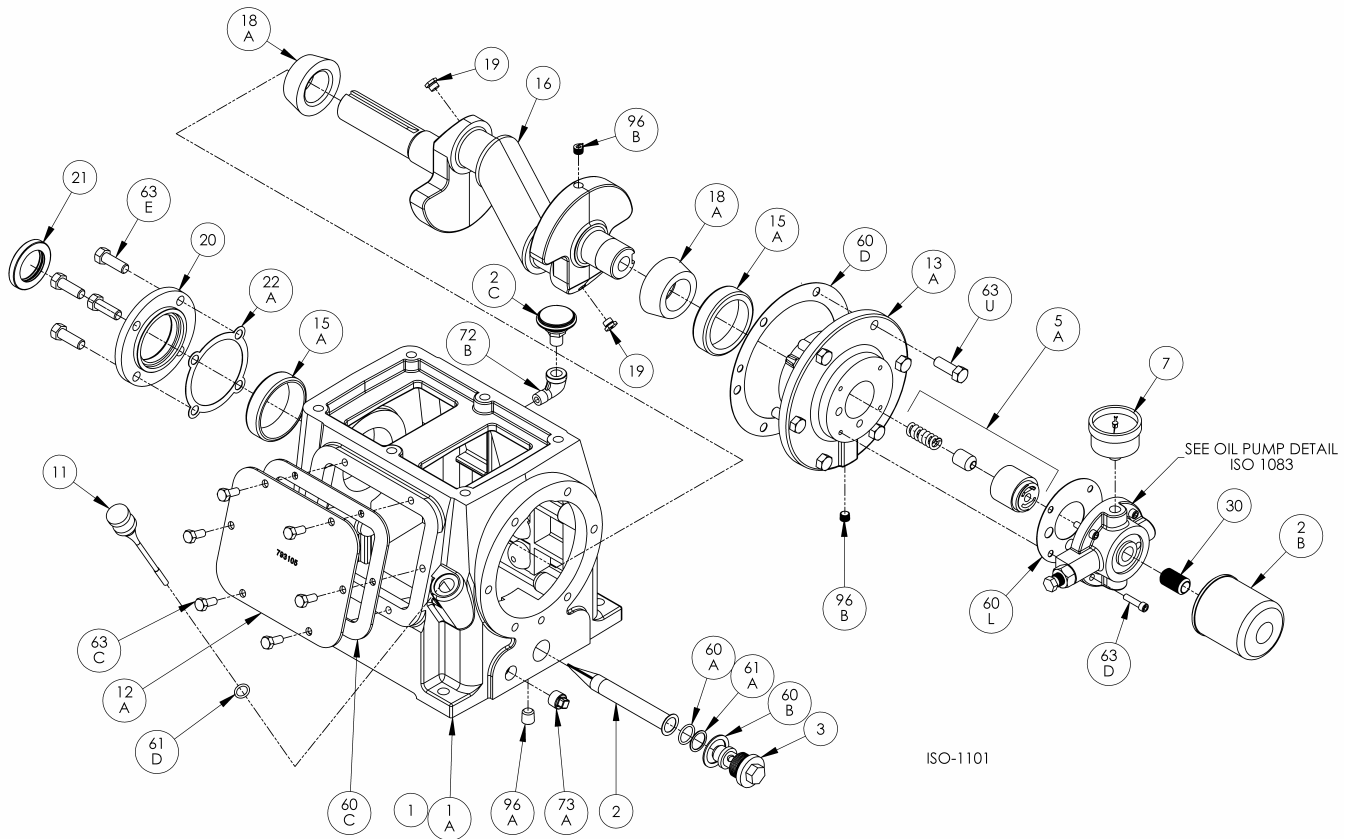
### Gasket Sets and Special Tools

Gasket Set	Buna-N & Iron	793776
	PTFE & Iron	793777
	FKM & Iron	793778
	Neoprene & Iron	793779
	Ethylene Propylene & Iron	793780
Packing Installation Tool		790536
Spanner Wrench, 1/4" Adjustable		790316
Wrench for Valve Holdown Screw		790535
Tool Kit		790199

### Bulletins Needed For Complete Parts List

This page	9E-260
Crankcase	9F-021
Oil Pump	9G-011
Flywheel	9H-020
Crosshead	9J-051
Cylinder	9L-150
Head	9M-190
Head with Unloaders	9M-200

Notes:



**Crankcase Assembly:**

Models HDL342B, HDL343B, HDL342C, HDL343C, HDL322C

HDL362B, HDL363B, HDL362C, HDL363C

HD361B, HD361C, HD362B, HD362C, HD363B, HD363C, HDS362C,

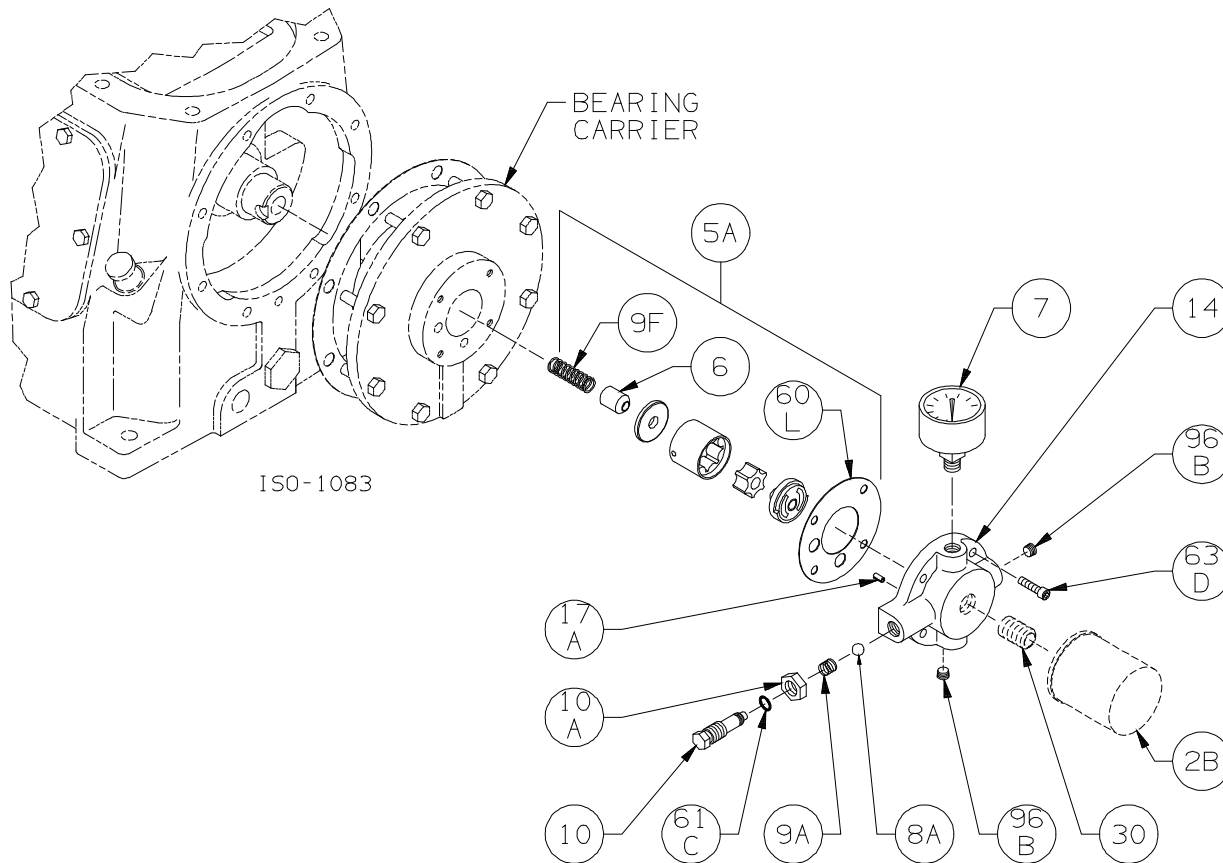
HD372B, HD372C, HD373B, HD373C, HDL372B, HDL372C, HDL373B, HDL373C, HDS372C

ISO1101

Ref	Description	Qty	Part No
1	Crankcase Assembly - Oil Filter	1	793100
	Crankcase Assembly - no Oil Filter		793103
	Crankcase Assy - Ext Shaft & Oil Filter		793171
	Crankcase Assy - Ext Shaft, no Oil Filter		793155
1A	Crankcase	1	793102
2	Oil Intake Screen	1	792135
2B	Oil Filter	1	794726
2C	Breather Filter	1	792070
3	Oil Screen Plug	1	792145
5A	Oil Pump Kit	1	794760
7	Oil Pressure Gauge	1	790012
11	Oil Bayonet Assembly	1	792162
12A	Inspection Plate	1	793105
13A	Bearing Carrier	1	793104
15A	Bearing Cup	2	793126
16	Crankshaft Assembly (w/ 18A,19,96B)	1	793157
	Crankshaft Assembly-Ext (w/ 18A,19,96B)		793191
18A	Bearing Cone	2	793142
19	Orifice	2	792146

Ref	Description	Qty	Part No
20	Bearing Cover Plate	1	793106
21	Oil Seal	1	793143
22A	Bearing Adjustment Shim Kit	1	793133
30	Oil Filter Fitting	1	794725
60A	Gasket - Oil Screen *	1	792136
60B	Gasket - Oil Screen Plug *	1	792123
60C	Gasket - Inspection Plate *	1	793122
60D	Gasket - Bearing Carrier Assembly*	1	793124
60L	Gasket - Oil Pump Cover *	1	794721
61A	O-Ring - Oil Screen *	1	792175
61D	O-Ring - Oil Bayonet *	1	792174
63C	Capscrew - Hex Hd	6	793116
63D	Capscrew - Soc Hd	4	790559
63E	Capscrew - Hex Hd	4	792093
63U	Capscrew - Hex Hd	6	792093
72B	Elbow	1	790453
73A	Pipe Plug	1	792166
96A	Pipe Plug	1	790488
96B	Pipe Plug	2	790309

\* Included in Gasket Sets



**Oil Pump Detail for Models:**

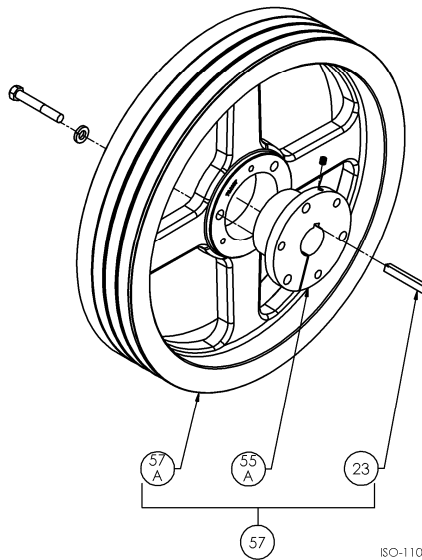
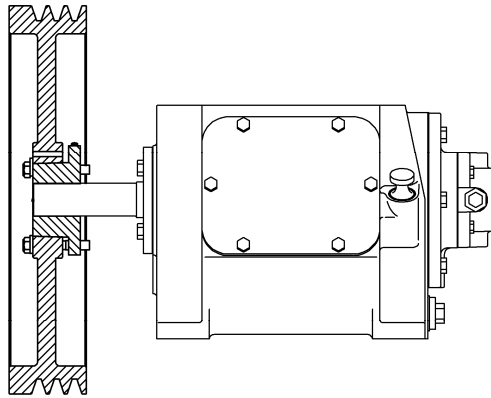
HD082C, HD161C|B, HD162C|B, HD163C, HDS162C  
 HD172C|B, HD173C, HDL172C, HDL173C, HDS172C,  
 HDL342C|B, HDL343C|B, HDL322C, HDL323C  
 HD361C|B, HD362C|B, HD363|B, HDS362C, HDL362C|B, HDL363C|B,  
 HD372C|B, HDL372C|B, HD373C, HDL373C|B, HDS372C  
 HD601B, HD602C|B, HD603C|B, HDL602C|B, HDL603C|B, HDS602C, HDL642C|B, HDL643C|B,  
 HD612C|B, HDL612C|B, HD613C|B, HDL613C|B, HDS612C|B  
 HD942B|A, HDL942B|A, HDS942B, HD943B, HDL943B

ISO1083

Ref	Description	Qty	Part No
2B	Oil Filter	1	794726
5A	Oil Pump Kit (with 6, 9F, 60L)		794760
6	Oil Pump Cone	1	794750
7	Oil Pressure Gauge	1	790012
8A	Oil Pressure Adj. Ball	1	792154
9A	Oil Pressure Adj. Spring	1	792153
9F	Oil Pump Spring	1	794751
10	Oil Pressure Adj. Screw	1	792148
10A	Locknut	1	792152

Ref	Description	Qty	Part No
14	Oil Pump Cover Assembly - For Filter	1	794764
	Oil Pump Cover Assembly (both include 17A, 96B)		794763
17A	Roll Pin	1	794753
30	Oil Filter Fitting	1	794725
60L	Gasket - Oil Pump Cover *	1	794721
61C	O-Ring - Adjusting Screw *	1	792168
63D	Capscrew - Socket Head	4	790559
96B	Pipe Plug	2	790309

\* Included in Gasket Sets



**MODELS:**

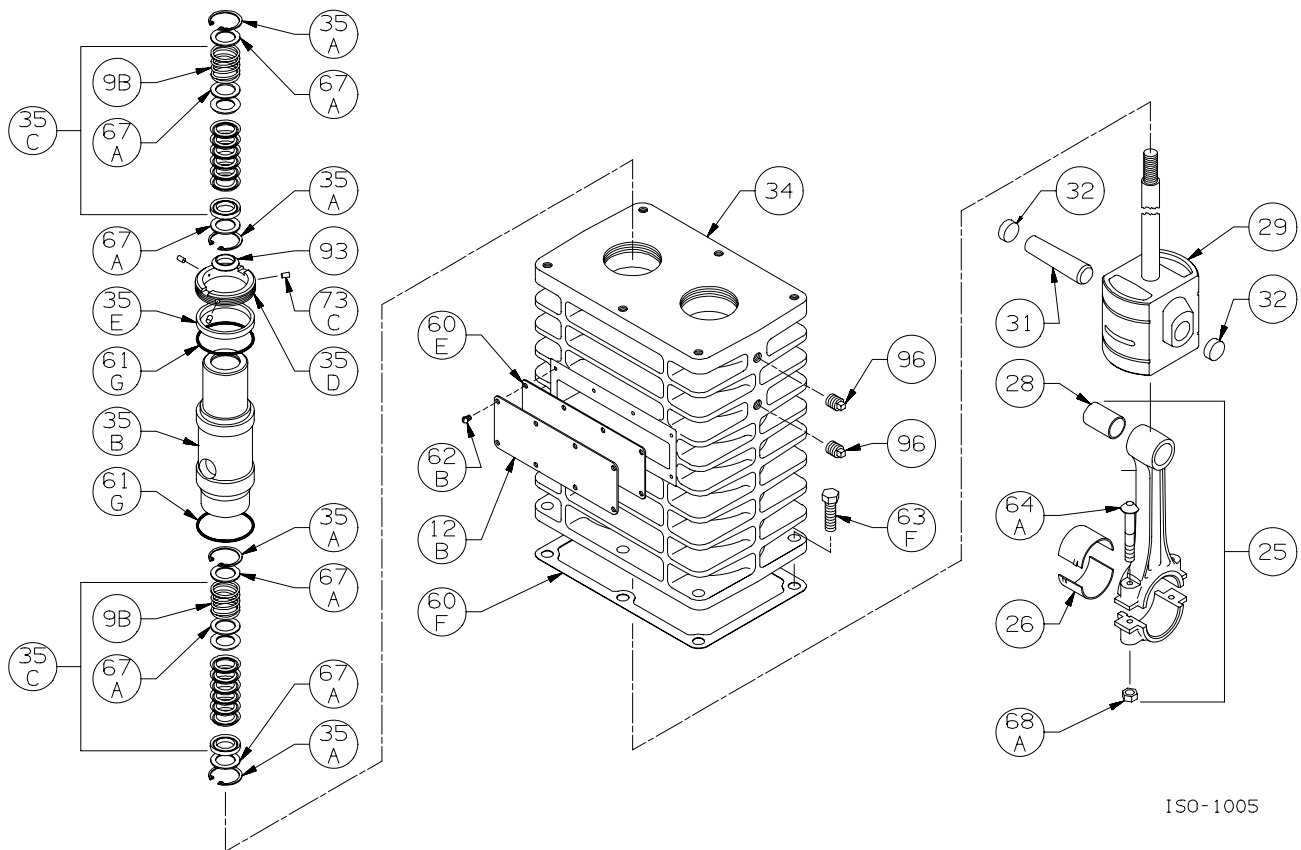
HD361C, HD361B  
 HD362C, HD362B  
 HD363C, HD363B  
 HD372C, HD372B  
 HD373C, HD373B

HDS362C  
 HDS372C

HDL322C, HDL323C  
 HDL342C, HDL342B  
 HDL343C, HDL343B  
 HDL362C, HDL362B  
 HDL363C, HDL363B  
 HDL372C, HDL372B  
 HDL373C, HDL373B

Ref	Description	Qty	Part No
23	Key	1	793167
55A	Hub	1	790143
57	Flywheel Assembly	1	793047
57A	Flywheel	1	792197

Note: Earlier HD372C, HD372, HD373C and HD373B air-cooled compressors had a fan fitted to the flywheel.



ISO-1005

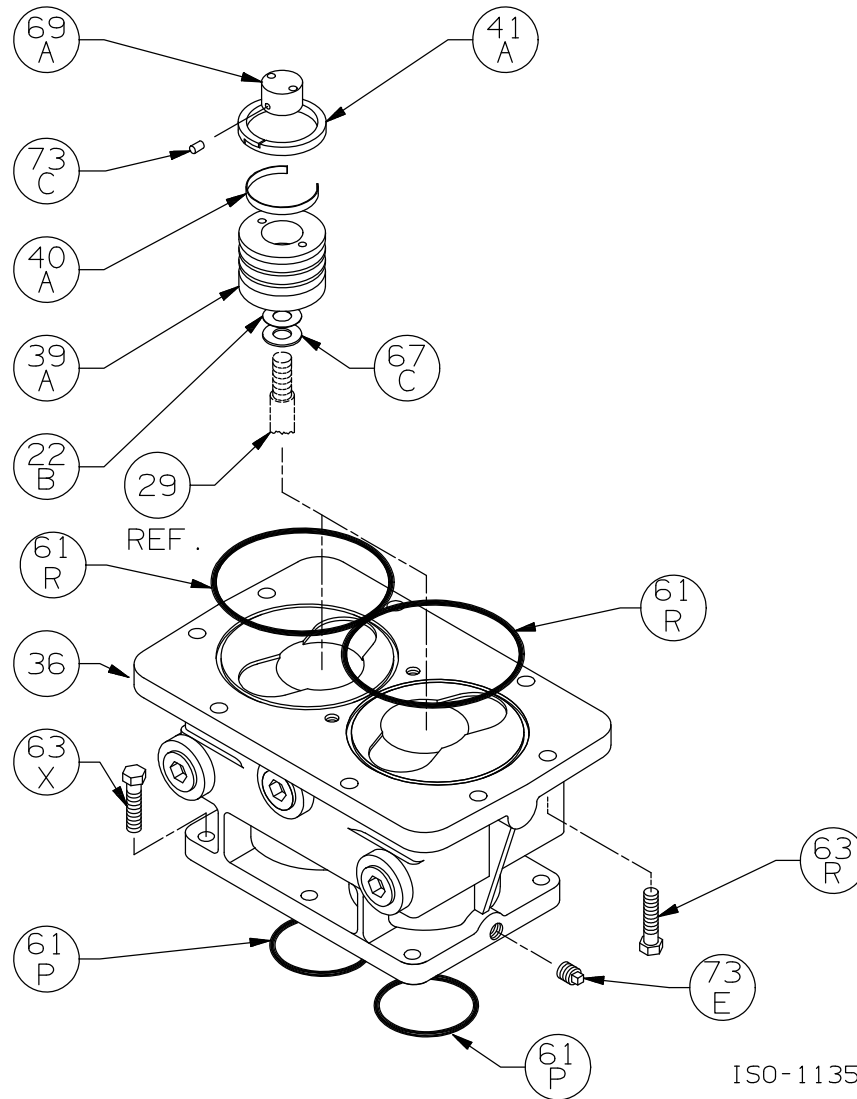
Crosshead Assembly: HDL342C, HD362C, HDL362C, HD372C, HDL372C

ISO1005

Ref	Description	Qty	Part No
9B	Packing Spring	4	792077
12B	Inspection Plate	1	793093
25	Connecting Rod Assembly	2	793309
26	Connecting Rod Bearing	2	793002
28	Wrist Pin Roller Bearing	2	793305
29	Crosshead Assembly	2	793302
31	Wrist Pin	2	793307
32	Wrist Pin Plug	4	793308
34	Crosshead Guide	1	793455
35A	Retainer Ring	8	793404
35B	Packing Box	2	793502
	Packing Box TNT-12		793505
35C	Packing Set	4	793510
35D	Hold-down Ring	2	793220
	Hold-down Ring TNT-12		792810
35E	Spacer Ring	2	793402
	Spacer Ring TNT-12		792821

Ref	Description	Qty	Part No
60E	Gasket - Inspection Plate *	1	793092
60F	Gasket - Crankcase *	1	793121
61G	O-Ring (Buna-N) Std *	4	792125
	O-Ring (FKM) *		793213
	O-Ring (PTFE) *		793211
	O-Ring (Neoprene) *		793215
	O-Ring (Ethylene Propylene) *		793207
62B	Machine Screw - Inspection Plate	8	793096
63F	Capscrew - Hex Hd	6	793094
64A	Connecting Rod Bolt	4	793006
67A	Washer - Packing Box	12	792087
68A	Connecting Rod Bolt Nut	4	793007
73C	Lock Plug *	6	792030
93	Oil Deflector Ring	2	793478
96	Pipe Plug	4	793498

\*Included in Gasket Sets



ISO-1135

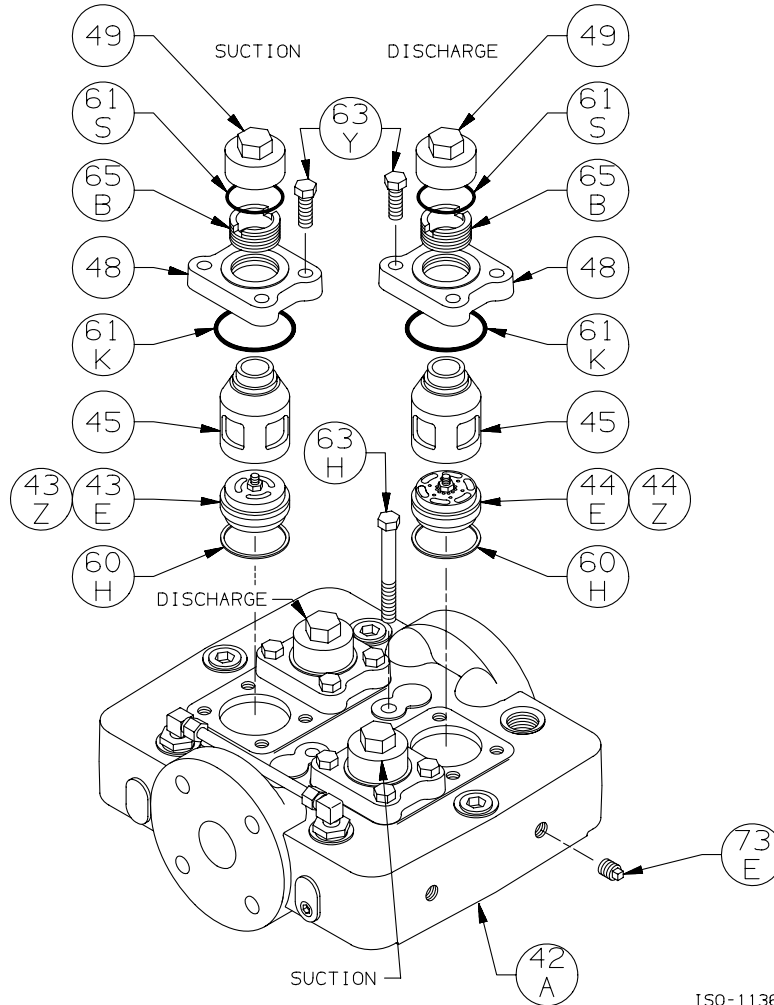
Cylinder Assembly: Models HDL342B, HDL343B, HDL342C, HDL343C

ISO1135E

Ref	Description	Qty	Part No
22B	Piston Shim - 0.015	AR	792034
	Piston Shim - 0.007	AR	792050
36	Cylinder	1	793751
	Cylinder TNT-12		792888
39A	Piston	2	793622
	Piston TNT-12		792814
40A	Expander	6	793615
41A	Piston Ring – Glass/Moly Filled, Std	6	793611
	Piston Ring - Poly Filled		793613
61P	O-Ring (Buna N) Std *	2	794082
	O-Ring (FKM) *		794213
	O-Ring (PTFE) *		794208
	O-Ring (Neoprene) *		794090
	O-Ring (Ethylene Propylene) *		794206

Ref	Description	Qty	Part No
61R	O-Ring (Buna N) Std *	2	793641
	O-Ring (FKM) *		793643
	O-Ring (PTFE) *		793642
	O-Ring (Neoprene) *		793644
	O-Ring (Ethylene Propylene) *		793645
63R	Capscrew - Hex Hd	8	794097
63X	Capscrew - Hex Hd	6	794096
67C	Thrust Washer	2	792033
69A	Piston Nut	2	793022
	Piston Nut TNT-12		792808
73C	Lock Plug *	4	793028
73E	Pipe Plug	1	793498

\* Included in Gasket Sets



ISO-1136

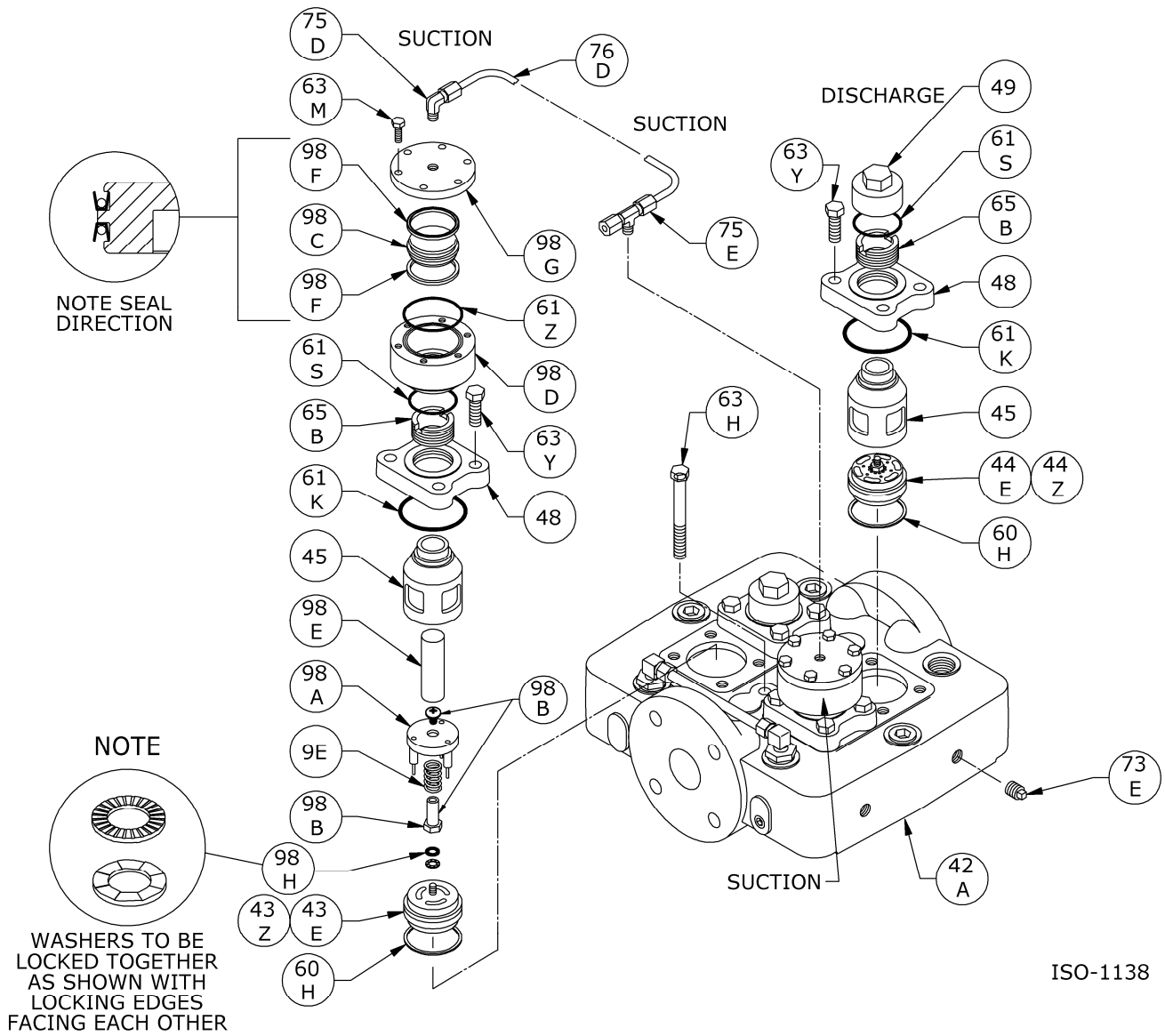
Head Assembly:  
Models HDL342B, HDL343B, HDL342C, HDL343C

ISO1136

Ref	Description	Qty	Part No
42A	Head	1	793750
	Head TNT-12		792887
43E	Suction Valve Assy, Stainless Steel ID:SB	2	793753
	Suction Valve Assembly, PEEK ID:PB		793459
	Suction Valve Assembly, TNT-12 ID:PE		792870
43Z	Valve Repair Kit for 793753		793757
	Valve Repair Kit for 793459, 792870		793460
44E	Discharge Valve Assy, Stainless Steel ID:SB	2	793754
	Discharge Valve Assembly, PEEK ID:PB		793479
	Discharge Valve Assembly, TNT-12 ID:PE		792871
44Z	Valve Repair Kit for 793754		793758
	Valve Repair Kit for 793479, 792871		793460
45	Cage	4	793420
	Cage TNT-12		792818
48	Valve Cover Plate	4	793284
	Valve Cover Plate TNT-12		792816
49	Valve Cap	4	792003
	Valve Cap TNT-12		792804

Ref	Description	Qty	Part No
60H	Gasket - Valve *	4	793202
61K	O-Ring (Buna-N) Std *	4	793114
	O-Ring (FKM) *		793214
	O-Ring (PTFE) *		793208
	O-Ring (Neoprene) *		793110
	O-Ring (Ethylene Propylene) *		793205
61S	O-Ring (Buna-N) Std *	4	792306
	O-Ring (FKM) *		792308
	O-Ring (PTFE) *		792307
	O-Ring (Neoprene) *		792309
	O-Ring (Ethylene Propylene) *		792310
63H	Capscrew - Hex Hd	2	793115
63Y	Capscrew - Hex Hd	16	793094
65B	Valve Holddown Screw	4	792002
	Valve Holddown Screw TNT-12		792806
73E	Pipe Plug	2	793498

\* Included in Gasket Sets



Head Assembly with Unloaders  
 Models HDL342B, HDL343B, HDL342C, HDL343C

over....



Head Assembly with Unloaders  
Models HDL342B, HDL343B, HDL342C, HDL343C

ISO1038

Ref	Description	Qty	Part No
9E	Unloader Spring	2	793293
42A	Head Head TNT-12	1	793750 792887
43E	Suction Valve Assy, Stainless Steel ID:SC Suction Valve Assembly, PEEK ID:PC Suction Valve Assembly, TNT-12 ID:PF	2	793753 793459 792870
43Z	Valve Repair Kit for 793753 Valve Repair Kit for 793459, 792870		793757 793460
44E	Disch Valve Assy, Stainless Steel ID:SC Discharge Valve Assembly, PEEK ID:PC Discharge Valve Assembly, TNT-12 ID:PF	2	793754 793479 792871
44Z	Valve Repair Kit for 793754 Valve Repair Kit for 793479, 792871		793758 793460
45	Cage Cage TNT-12	4	793420 792818
48	Valve Cover Plate Valve Cover Plate TNT-12	4	793284 792816
49	Valve Cap Valve Cap TNT-12	2	792003 792804
60H	Gasket - Valve *	4	793202
61K	O-Ring (Buna-N) Std * O-Ring (FKM) * O-Ring (PTFE) * O-Ring (Neoprene) * O-Ring (Ethylene Propylene) *	4	793114 793214 793208 793110 793205
61S	O-Ring (Buna-N) Std * O-Ring (FKM) * O-Ring (PTFE) * O-Ring (Neoprene) * O-Ring (Ethylene Propylene) *	4	792306 792308 792307 792309 792310

Ref	Description	Qty	Part No
61Z	O-Ring (Buna-N) Std * O-Ring (FKM) * O-Ring (PTFE) * O-Ring (Neoprene) * O-Ring (Ethylene Propylene) *	2	792311 792313 792312 792314 792320
63H	Capscrew - Hex Hd	2	793115
63M	Capscrew - Hex Hd	12	790053
63Y	Capscrew - Hex Hd	16	793094
65B	Valve Holddown Screw Valve Holddown Screw TNT-12	4	792002 792806
73E	Pipe Plug	2	793498
75D	Tube Elbow	1	790355
75E	Tube Tee	1	790356
76D	Tube	1	790192
98A	Actuator Assembly Actuator Assembly, for SS Valve	2	793296 793756
98B	Unloader Post w/bolt <sup>1</sup> Unl. Post w/bolt <sup>1</sup> , for SS Valve	2	793291 794291
98C	Unloader Piston	2	793288
98D	Unloader Body	2	793286
98E	Unloader Plunger	2	793290
98F	Unloader Seal	4	792284
98G	Unloader Cap	2	793287
98H	Lockwasher (2 Piece)	2	793473

\* Included in Gasket Sets

<sup>1</sup> Unloader Post with bolt replaces earlier style unloader post with retainer ring.



Suggested Spare Parts for HDL342C Compressors:

Part #	Description	Qty./ Unit	Comm. Qty.	Spare Qty.
793776	Gasket Set - Buna-N	1	1	1
793777	Gasket Set - PTFE *			
793778	Gasket Set - FKM *			
793779	Gasket Set - Neoprene *			
793780	Gasket Set - Ethylene Propylene *			
793757	Suction Valve Repair Kit - Stainless Steel	2		2
793460	Suction Valve Repair Kit - PEEK *			
793758	Discharge Valve Repair Kit - Stainless Steel	2		2
793460	Discharge Valve Repair Kit - PEEK *			
792284	Unloader Seal *	4		4
793611	Piston Ring - Glass and Moly Filled	6	6	6
793613	Piston Ring - Poly Filled *			
793615	Piston Ring Expander	6	6	6
793510	Packing Set	4	4	4
794726	Oil Filter	1		6
793307	Wrist Pin	2		2
793305	Wrist Pin Bearing	2	2	2
793002	Conrod Bearing	2	2	2
The following parts would normally be required only for major compressor overhaul.				
793142	Inboard Bearing Cone	2		2
793126	Inboard Bearing Cup	2		2
793302	Crosshead Assembly	2		1
793309	Conrod Assembly	2		1
794760	Oil Pump Repair Kit	1		
793157	Crankshaft Assembly	1		
793191	Extended Crankshaft Assembly *			
793133	Bearing Adjustment Shim Kit	1		
793751	Cylinder	1		
792888	Cylinder, TNT-12 PTFE/Nickel Treated *			

\* Optional Equipment on New Compressors