



960558	PARTS LIST
Page 1 of 12	901-D08
Section	901
Effective	June 2026
Replaces	Jan 2026

HD613C PARTS LIST

(See Instructions 901-D00 for Operation and Maintenance)

Serial # _____

ID# _____

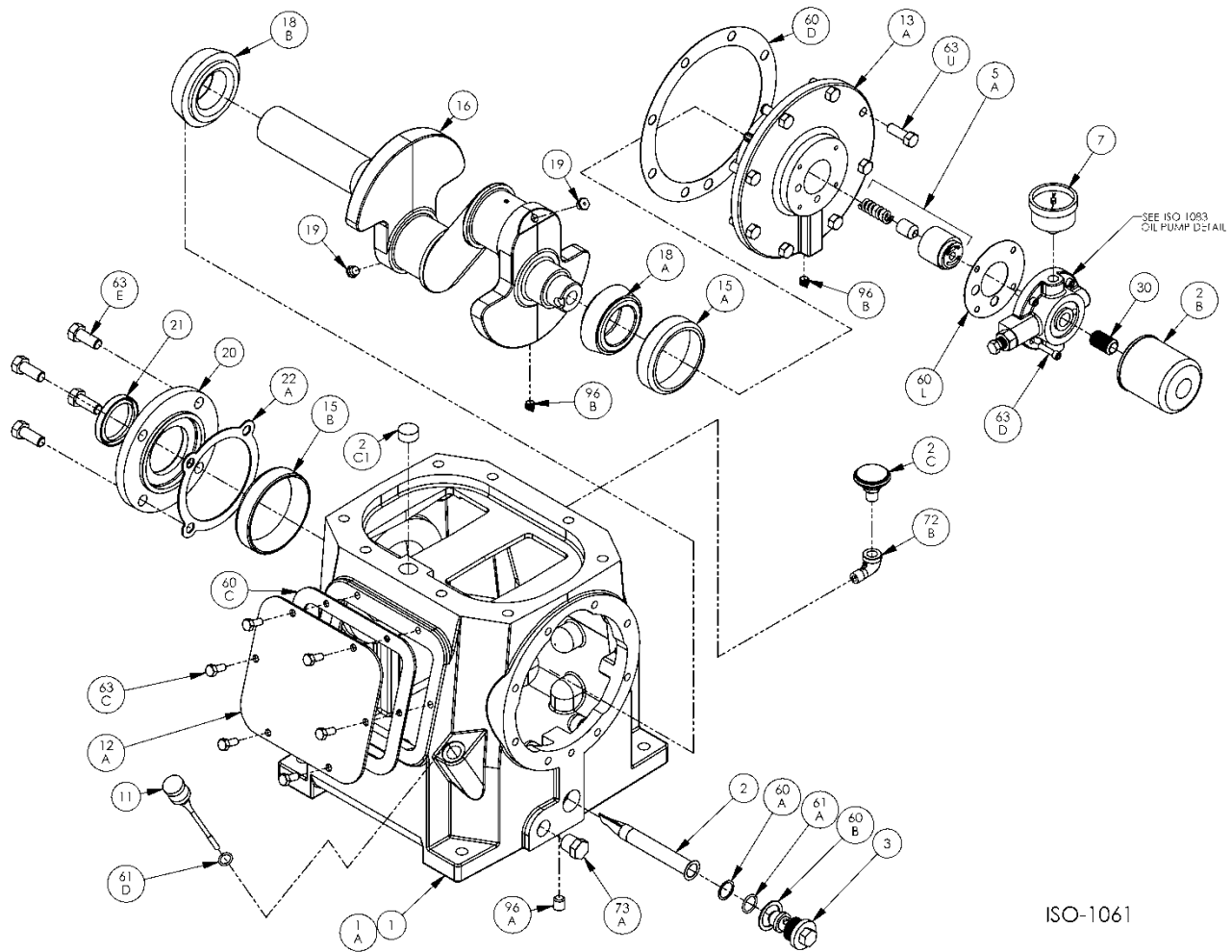
Gasket Sets and Special Tools

Gasket Set	Buna-N & Iron	794693
	PTFE & Iron	794692
	FKM & Iron	794691
	Neoprene & Iron	794690
	Ethylene Propylene & Iron	794689
Packing Installation Tool		790538
Spanner Wrench, 1/4" Adjustable		790316
Wrench for Valve Hold Down Screw		790535
Piston Tool		798006 & 798008

Table of Contents

Cover Page	1
Crankcase	2
Oil Pump	3
Flywheel	4
Crosshead	5
Packing	6
Cylinder	7
Head	8-9
Head with Unloaders	10-11

Notes:



ISO-1061

Crankcase Assembly:

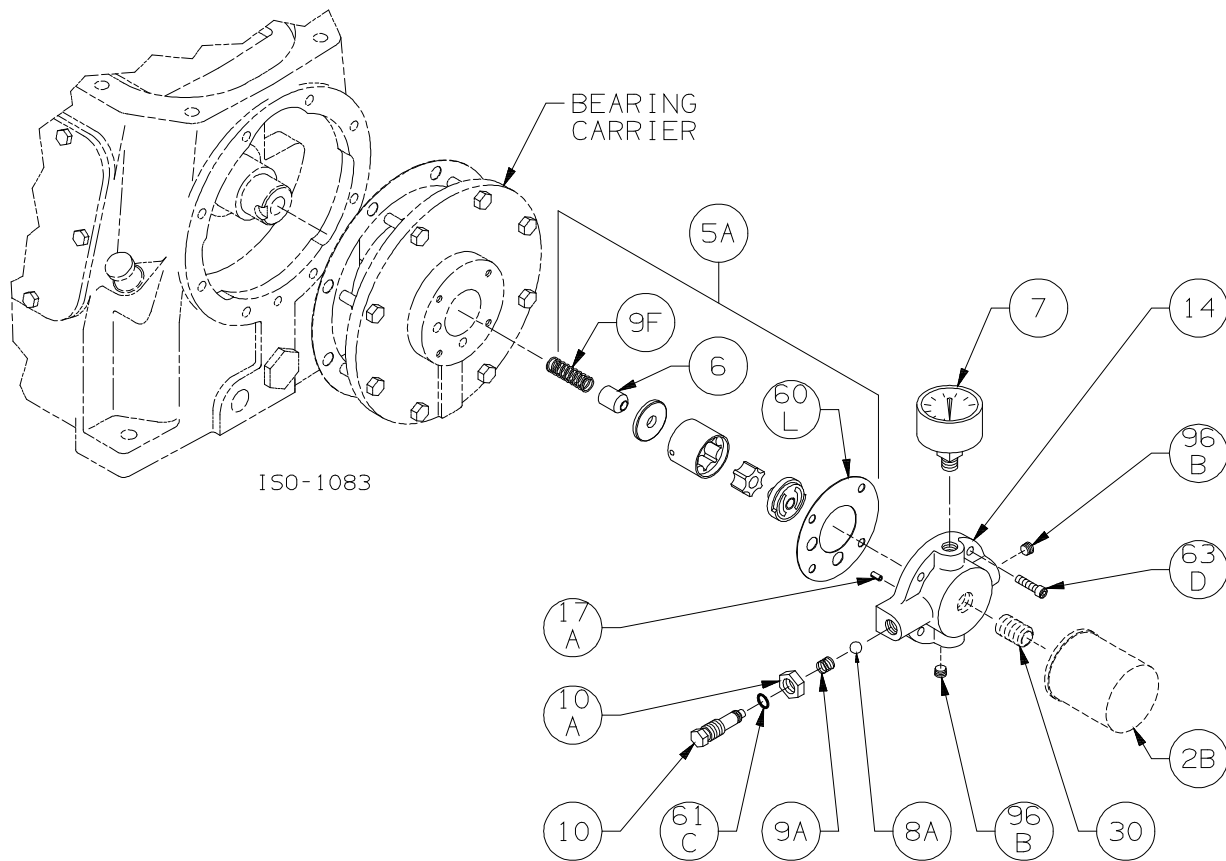
Models HD601B, HD602C|B, HD603C|B, HDL602C|B, HDL603C|B, HDL642C|B, HDL643C|B, HDS602C|B
 HD612C|B, HD613C|B, HDL612C|B, HDL613C|B, HDS612C|B

ISO1061

Ref	Description	Qty	Part No
1	Crankcase Assembly – with Oil Filter (std.)	1	794758
	Crankcase Assembly – no Oil Filter		794759
1A	Crankcase	1	794709
2	Oil Intake Screen	1	792135
2B	Oil Filter	1	794726
2C	Breather Filter (current)	1	792070
2C1	Breather Filter (Previous Construction)		794752
3	Oil Screen Plug	1	792145
5A	Oil Pump Kit	1	794760
7	Oil Pressure Gauge	1	790012
11	Oil Bayonet Assembly	1	792162
12A	Inspection Plate	1	794140
13A	Bearing Carrier	1	794714
15A	Bearing Cup (Outboard)	1	794131
15B	Bearing Cup (Inboard)	1	794731
16	Crankshaft Assy (w\ 18A,18B,19,96B)	1	794708
18A	Bearing Cone (Outboard)	1	794130
18B	Bearing Cone (Inboard)	1	794730
19	Orifice	2	792146

Ref	Description	Qty	Part No
20	Bearing Cover Plate	1	794716
21	Oil Seal	1	794732
22A	Bearing Adjustment Shim Kit	1	794733
30	Oil Filter Fitting	1	794725
60A	Gasket - Oil Screen *	1	792136
60B	Gasket - Oil Screen Plug *	1	792123
60C	Gasket - Inspection Plate *	1	794122
60D	Gasket - Bearing Carrier Assembly*	1	794720
60L	Gasket - Oil Pump Cover *	1	794721
61A	O-Ring - Oil Screen *	1	792175
61D	O-Ring - Oil Bayonet *	1	792174
63C	Capscrew - Hex Hd	6	793116
63D	Capscrew - Soc Hd	4	790559
63E	Capscrew - Hex Hd	4	790484
63U	Capscrew - Hex Hd	8	792093
72B	Elbow	1	790453
73A	Pipe Plug	1	790024
96A	Pipe Plug	1	790488
96B	Pipe Plug	2	790309

* Included in Gasket Sets



Oil Pump Detail for Models:

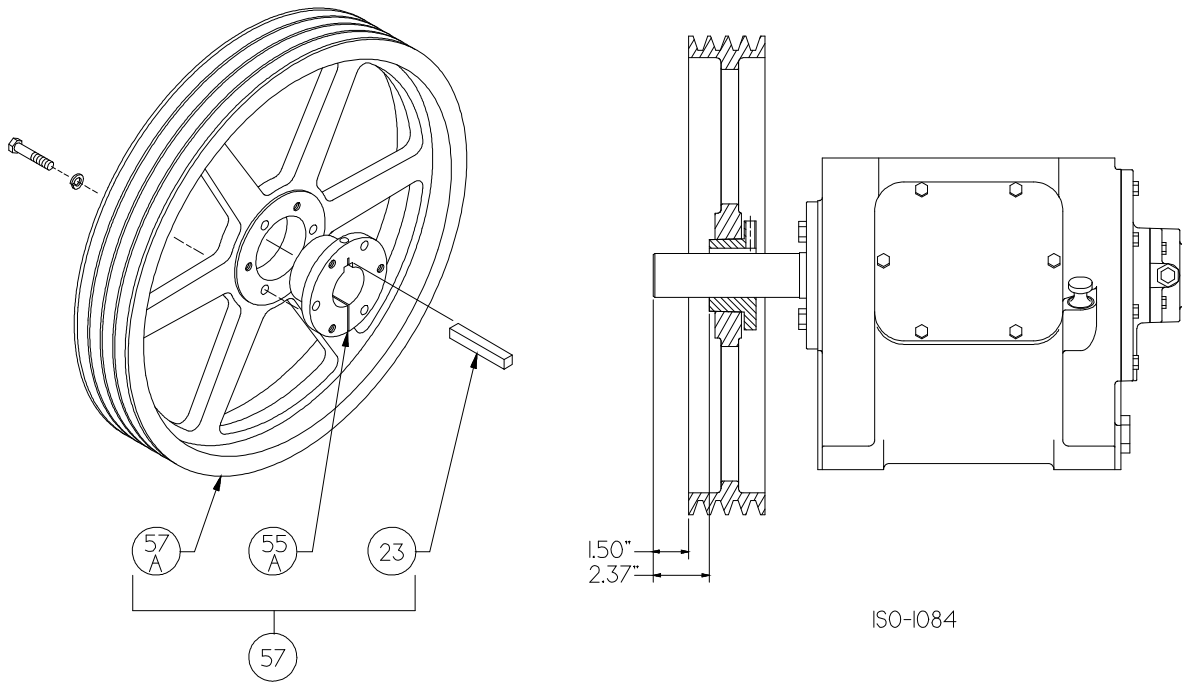
HD082C, HD161C|B, HD162C|B, HD163C, HDS162C
 HD172C|B, HD173C, HDL172C, HDL173C, HDS172C,
 HDL342C|B, HDL343C|B, HDL322C, HDL323C
 HD361C|B, HD362C|B, HD363|B, HDS362C, HDL362C|B, HDL363C|B,
 HD372C|B, HDL372C|B, HD373C, HDL373C|B, HDS372C
 HD601B, HD602C|B, HD603C|B, HDL602C|B, HDL603C|B, HDS602C, HDL642C|B, HDL643C|B,
 HD612C|B, HDL612C|B, HD613C|B, HDL613C|B, HDS612C|B
 HD942B|A, HDL942B|A, HDS942B, HD943B, HDL943B

ISO1083

Ref	Description	Qty	Part No
2B	Oil Filter	1	794726
5A	Oil Pump Kit (with 6, 9F, 60L)		794760
6	Oil Pump Cone	1	794750
7	Oil Pressure Gauge	1	790012
8A	Oil Pressure Adj. Ball	1	792154
9A	Oil Pressure Adj. Spring	1	792153
9F	Oil Pump Spring	1	794751
10	Oil Pressure Adj. Screw	1	792148
10A	Locknut	1	792152

Ref	Description	Qty	Part No
	Oil Pump Cover Assembly - For Filter		794764
14	Oil Pump Cover Assembly (both include 17A, 96B)	1	794763
17A	Roll Pin	1	794753
30	Oil Filter Fitting	1	794725
60L	Gasket - Oil Pump Cover *	1	794721
61C	O-Ring - Adjusting Screw *	1	792168
63D	Capscrew - Socket Head	4	790559
96B	Pipe Plug	2	790309

* Included in Gasket Sets

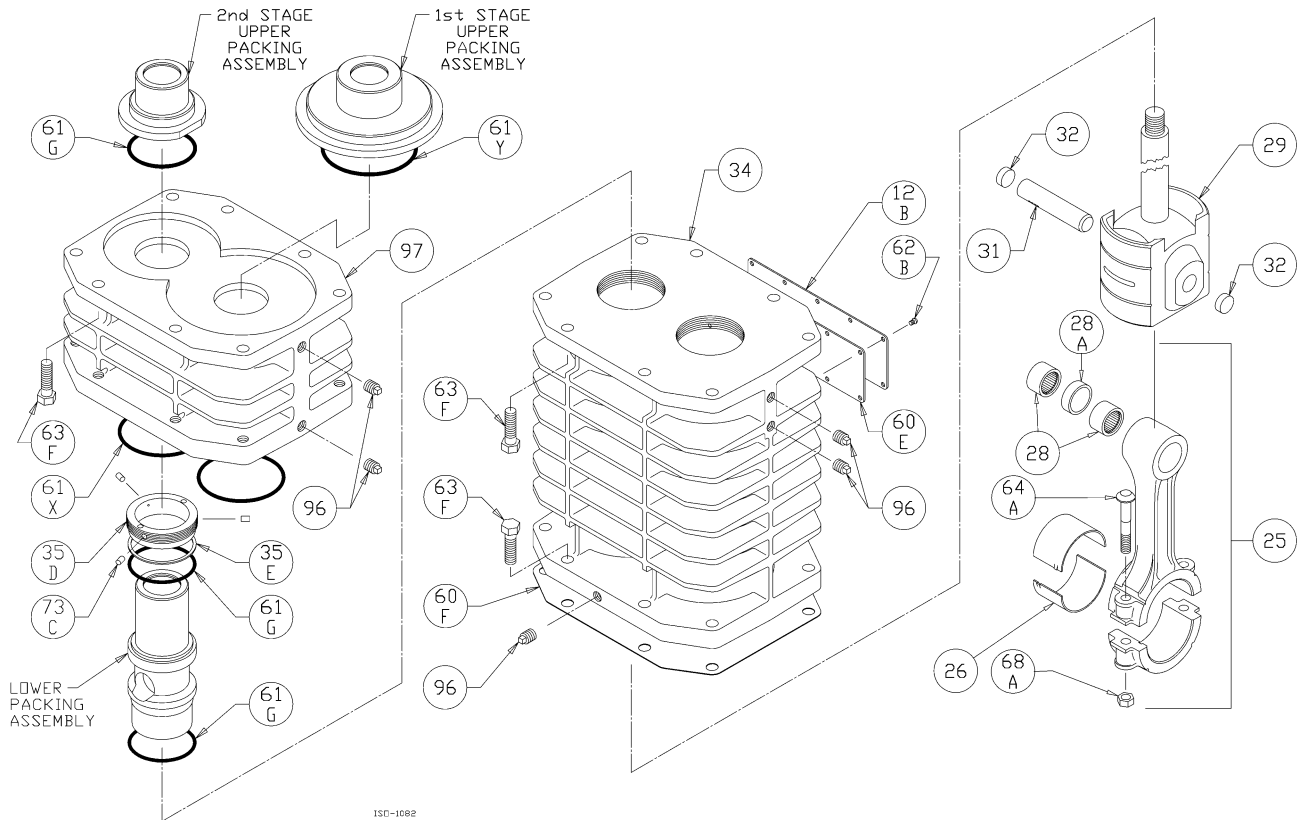


Standard Flywheel Assembly:
 Models HD612C, HD613C
 Models HDL612C, HDL613C, HDS612C

Ref	Description	Qty	Part No
23	Key	1	794267
55A	Hub (SF 1.875")	1	790149
57	Flywheel Assembly	1	794132
57A	Flywheel	1	790545

Notes:

Older units had the flywheel located at the end of the shaft.
 Older Air-cooled units had a fan fitted to the flywheel.



Crosshead Assembly: HD613C, HDL613C

Ref	Description	Qty	Part No
12B	Inspection Plate	1	794093
25	Connecting Rod Assembly	2	794767
26	Connecting Rod Bearing	2	794710
28	Wrist Pin Roller Bearing	4	794776
28A	Bearing Spacer	2	794770
29	Crosshead Assembly	2	794435
31	Wrist Pin	2	794727
32	Wrist Pin Plug	4	794724
34	Crosshead Guide	1	794430
35D	Hold-down Ring	2	794220
35E	Spacer Ring	2	794403
60E	Gasket - Inspection Plate *	1	794092
60F	Gasket - Crankcase *	1	794121
61G	O-Ring (Buna-N) Std *	5	794082
	O-Ring (FKM) *		794213
	O-Ring (PTFE) *		794208
	O-Ring (Neoprene) *		794090
	O-Ring (Ethylene Propylene) *		794206

* Included in Gasket Sets

Standard with TNT-12 Cylinder

ISO1082

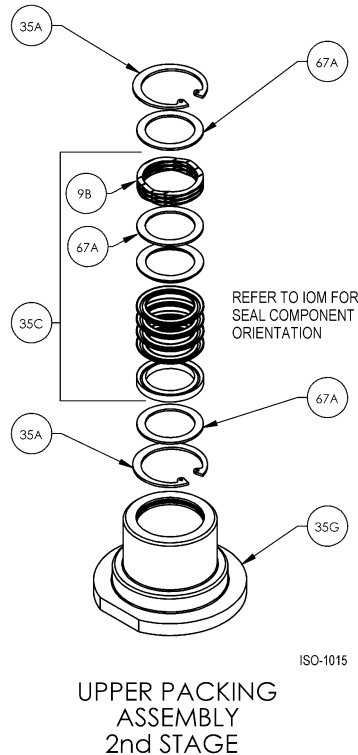
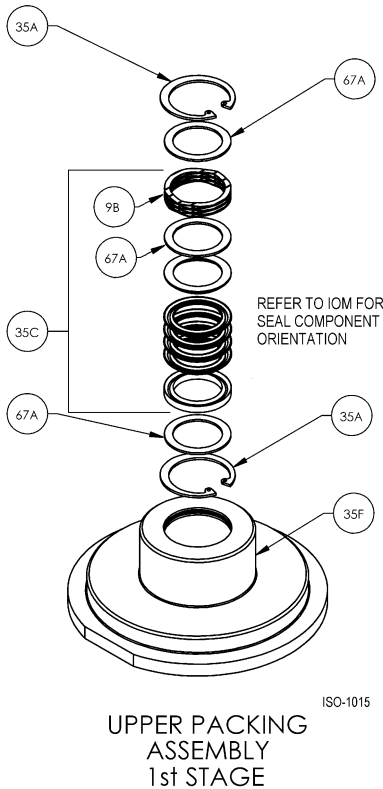
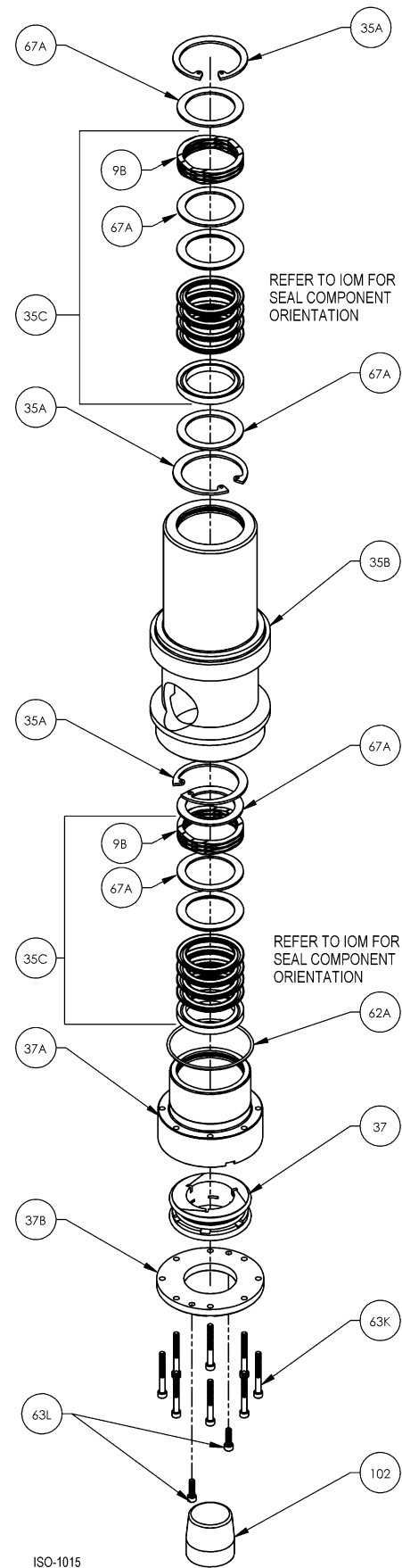
Ref	Description	Qty	Part No
61X	O-Ring (Buna-N) Std *	2	794426
	O-Ring (FKM) *		794425
	O-Ring (PTFE) *		794427
	O-Ring (Neoprene) *		794424
	O-Ring (Ethylene Propylene) *		794428
61Y	O-Ring (Buna-N) Std *	1	793177
	O-Ring (FKM) *		793212
	O-Ring (PTFE) *		793210
	O-Ring (Neoprene) *		793216
	O-Ring (Ethylene Propylene) *		793206
62B	Machine Screw - Inspection Plate	10	793096
63F	Capscrew - Hex Hd	24	794094
	Capscrew - Stainless Steel #		801185
64A	Connecting Rod Bolt	4	794012
68A	Connecting Rod Bolt Nut	4	794013
72A	Elbow - Vent	1	790453
73C	Lock Plug *	6	794028
96	Pipe Plug	9	908198
97	Distance Piece	1	794410

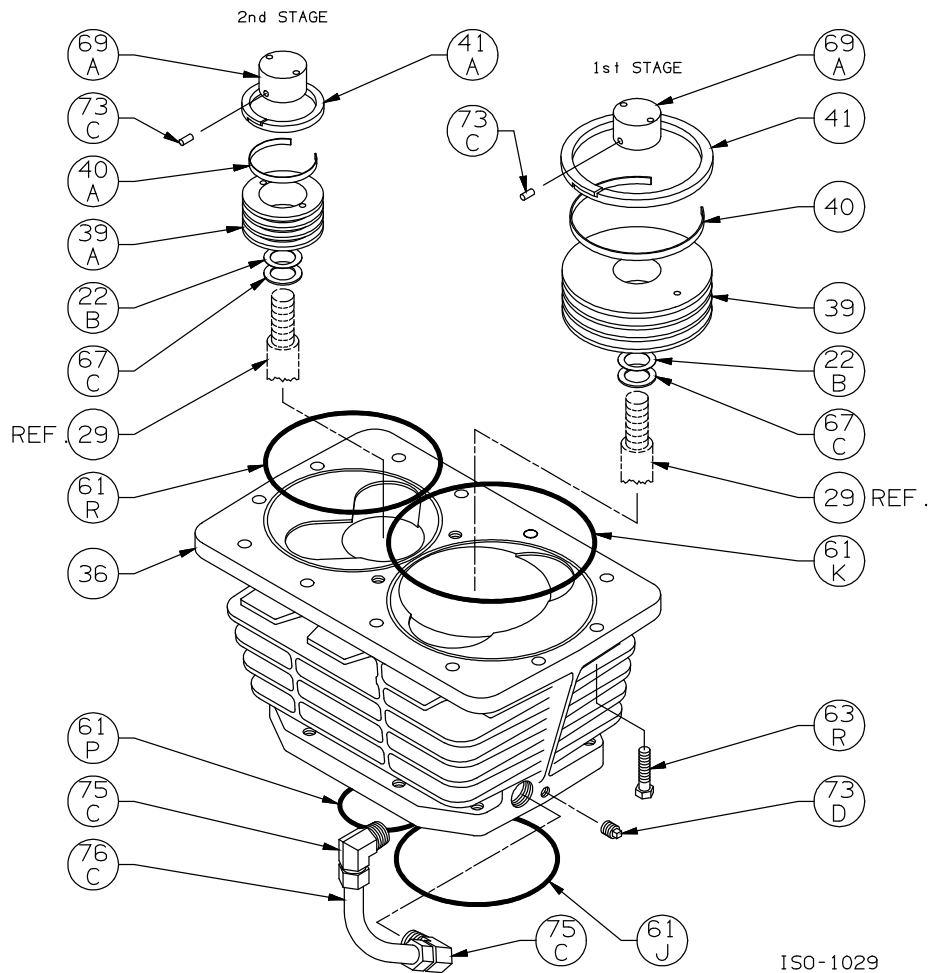
Packing Assembly: HD613C, HDL613C

Ref	Description	Qty	Part No
9B	Packing Spring	6	794041
35A	Retainer Ring	10	794080
35B	Packing Box – Lower	2	794445
	Packing Box – Lower, TNT-12		794463
35C	Packing Set	6	794498
35F	Packing Box – Upper Stage 1	1	794412
	Packing Box – Upper, TNT-12		792842
35G	Packing Box – Upper Stage 2	1	794413
	Packing Box – Upper, TNT-12		792843
37	S3R Seal	2	794456
37A	Seal Cup	2	794455
	Seal Cup, TNT-12		794462
37B	Seal Cup Cover	2	794454
62A	O-ring (Buna-N)	2	792311
	O-Ring (FKM) *		792313
	O-Ring (PTFE) *		792312
	O-Ring (Neoprene) *		792314
	O-Ring (Ethylene Propylene) *		792320
63K	Capscrew – Socket Head	16	794460
63L	Capscrew – Socket Head	4	794461
67A	Washer - Packing Box	16	794084
102	Packing Installation Tool	1	790538

* Included in gasket sets.

Refer to the Compressor IOM for proper orientation of components.





ISO-1029

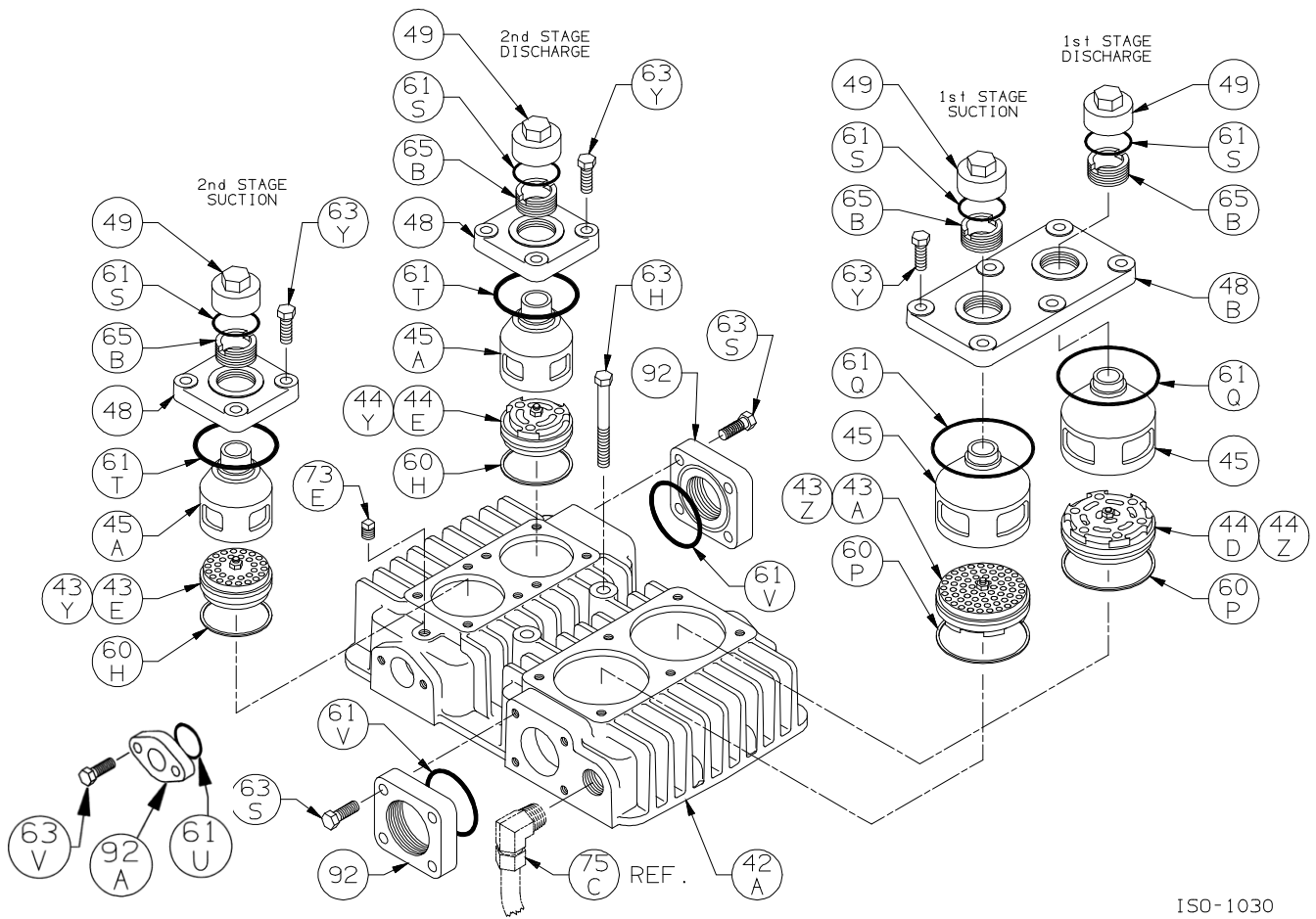
Cylinder Assembly: HD612C|B|A, HD613C|B

Ref	Description	Qty	Part No
22B	Piston Shim - 0.015 Piston Shim - 0.007	AR	794434 794436
36	Cylinder Cylinder TNT-12	1	794601 792845
39	Piston Piston TNT-12	1	794621 792848
39A	Piston Piston TNT-12	1	794622 792849
40	Expander	3	794614
40A	Expander	3	794615
41	Piston Ring – Glass/Moly Filled, Std Piston Ring - Poly Filled	3	794610 794612
41A	Piston Ring – Glass/Moly Filled, Std Piston Ring - Poly Filled	3	794611 794613
61J	O-Ring (Buna N) Std * O-Ring (FKM) * O-Ring (PTFE) * O-Ring (Neoprene) * O-Ring (Ethylene Propylene) *	1	794661 794663 794662 794664 794665

* Included in Gasket Sets
Standard with TNT-12 Cylinder

ISO1029

Ref	Description	Qty	Part No
61K	O-Ring (Buna N) Std *	1	794631
	O-Ring (FKM) *		794633
	O-Ring (PTFE) *		794632
	O-Ring (Neoprene) *		794634
	O-Ring (Ethylene Propylene) *		794638
61P	O-Ring (Buna N) Std *	1	794651
	O-Ring (FKM) *		794653
	O-Ring (PTFE) *		794652
	O-Ring (Neoprene) *		794654
	O-Ring (Ethylene Propylene) *		794655
61R	O-Ring (Buna N) Std *	1	793631
	O-Ring (FKM) *		793633
	O-Ring (PTFE) *		793632
	O-Ring (Neoprene) *		793634
	O-Ring (Ethylene Propylene) *		793638
63R	Capscrew - Hex Hd Capscrew – Stainless Steel #	12	794097 793150
67C	Thrust Washer	2	794433
69A	Piston Nut	2	794623
	Piston Nut TNT-12		792850
73C	Lock Plug *	4	794222
73D	Pipe Plug	1	908198
75C	Tube Elbow	2	790391
76C	Tube	1	790395



ISO-1030

Head Assembly: HD612C|B|A, HD613C|B

ISO1030

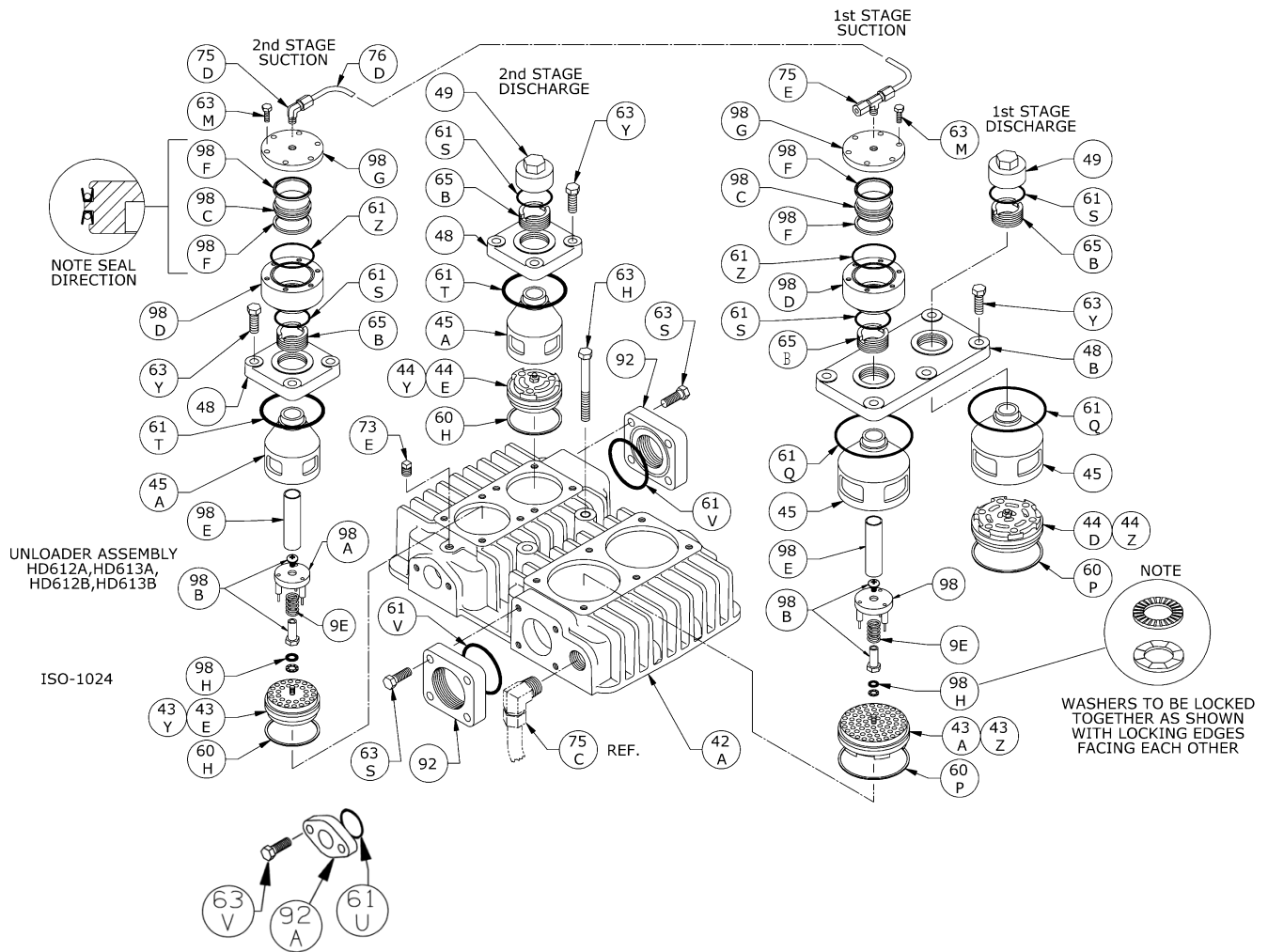
OVER.....

Ref	Description	Qty	Part No
42A	Head	1	794600
	Head TNT-12		792844
43A	Suction Valve Assembly	1	794659
	Suction Valve Assembly TNT-12		792874
	Suction Valve Assy, Stainless Steel		794629
43E	Suction Valve Assembly	1	793659
	Suction Valve Assembly TNT-12		792872
	Suction Valve Assy, Stainless Steel		793629
43Y	Valve Repair Kit - For 793659/793679		793660
	Valve Repair Kit - For 793629		793630
43Z	Valve Repair Kit - For 794659/794679		794660
	Valve Repair Kit - For 794629		794630
44D	Discharge Valve Assembly	1	794679
	Discharge Valve Assembly TNT-12		792875
	Discharge Valve Assy, Stainless Steel		794649
44E	Discharge Valve Assembly	1	793679
	Discharge Valve Assembly TNT-12		792873
	Discharge Valve Assy, Stainless Steel		793649
44Y	Valve Repair Kit - For 793659/793679		793660
	Valve Repair Kit - For 793649		793650
44Z	Valve Repair Kit - For 794659/794679		794660
	Valve Repair Kit - For 794649		794650
45	Cage	2	794602
	Cage TNT-12		792846
45A	Cage	2	794620
	Cage TNT-12		792835
48	Valve Cover Plate	2	794284
	Valve Cover Plate TNT-12		792817
48B	Valve Cover Plate	1	794603
	Valve Cover Plate TNT-12		792847
49	Valve Cap	4	792003
	Valve Cap TNT-12		792804
60H	Gasket - Valve *	2	794198
60P	Gasket - Valve *	2	794616

* Included in Gasket Sets

Standard with TNT-12 Cylinder

Ref	Description	Qty	Part No
61Q	O-Ring (Buna-N) Std *	2	794641
	O-Ring (FKM) *		794643
	O-Ring (PTFE) *		794642
	O-Ring (Neoprene) *		794644
	O-Ring (Ethylene Propylene) *		794645
61S	O-Ring (Buna-N) Std *	4	792306
	O-Ring (FKM) *		792308
	O-Ring (PTFE) *		792307
	O-Ring (Neoprene) *		792309
61T	O-Ring (Ethylene Propylene) *	2	792310
	O-Ring (Buna-N) Std *		792112
	O-Ring (FKM) *		792213
	O-Ring (PTFE) *		792210
61U	O-Ring (Neoprene) *	2	792110
	O-Ring (Ethylene Propylene) *		792206
	O-Ring (PTFE) *		793626
	O-Ring (Buna-N) Std *		792412
61V	O-Ring (FKM) *	2	792413
	O-Ring (PTFE) *		792414
	O-Ring (Neoprene) *		792410
	O-Ring (Ethylene Propylene) *		792411
63H	Capscrew - Hex Hd	2	794115
	Capscrew - Stainless Steel #		920588
63S	Capscrew - Hex Hd	8	794096
	Capscrew - Stainless Steel #		793151
63V	Capscrew - Hex Hd	4	793094
	Capscrew - Stainless Steel #		793153
63Y	Capscrew - Hex Hd	14	793094
	Capscrew - Stainless Steel #		793153
65B	Valve Holddown Screw	4	792002
	Valve Holddown Screw TNT-12		792806
73E	Pipe Plug	1	908198
92	Flange-Inlet (2 NPT) Std	1	794117
	Flange-Inlet (2 NPT) TNT-12		792837
	Flange-Outlet (1.5 NPT) Std		794116
	Flange-Outlet (1.5 NPT) TNT-12		792836
	Flange (1.25 NPT)		794118
92A	Flange (1.25 NPT) TNT-12	2	792866
	Flange, 1" NPT - Intercooler		793602
	Flange, 1" NPT - Intercooler TNT12		792898



Head Assembly with Unloaders: HD612C|B|A, HD613C|B ISO1024

Over.....

Head Assy. with Unloaders: HD612C|B|A, HD613C|B

ISO1024

Ref	Description	Qty	Part No
9E	Unloader Spring	2	793293
42A	Head Head TNT-12	1	794600 792844
43A	Suction Valve Assembly Suction Valve Assembly TNT-12 Suction Valve Assy, Stainless Steel	1	794659 792874 794629
43E	Suction Valve Assembly Suction Valve Assembly TNT-12 Suction Valve Assy, Stainless Steel	1	793659 792872 793629
43Y	Valve Repair Kit - For 793659/793679 Valve Repair Kit - For 793629		793660 793630
43Z	Valve Repair Kit - For 794659/794679 Valve Repair Kit - For 794629		794660 794630
44D	Discharge Valve Assembly Discharge Valve Assy TNT-12 Discharge Valve Assy, Stainless Steel	1	794679 792875 794649
44E	Discharge Valve Assembly Discharge Valve Assembly TNT-12 Discharge Valve Assy, Stainless Steel	1	793679 792873 793649
44Y	Valve Repair Kit - For 793659/793679 Valve Repair Kit - For 793649		793660 793650
44Z	Valve Repair Kit - For 794659/794679 Valve Repair Kit - For 794649		794660 794650
45	Cage Cage TNT-12	2	794602 792846
45A	Cage Cage TNT-12	2	794620 792835
48	Valve Cover Plate Valve Cover Plate TNT-12	2	794284 792817
48B	Valve Cover Plate Valve Cover Plate TNT-12	1	794603 792847
49	Valve Cap Valve Cap TNT-12	2	792003 792804
60H	Gasket - Valve *	2	794198
60P	Gasket - Valve *	2	794616
61Q	O-Ring (Buna-N) Std * O-Ring (FKM) * O-Ring (PTFE) * O-Ring (Neoprene) * O-Ring (Ethylene Propylene) *	2	794641 794643 794642 794644 794645
61S	O-Ring (Buna-N) Std * O-Ring (FKM) * O-Ring (PTFE) * O-Ring (Neoprene) * O-Ring (Ethylene Propylene) *	4	792306 792308 792307 792309 792310

* Included in Gasket Sets

Standard with TNT-12 Cylinder

Ref	Description	Qty	Part No
61T	O-Ring (Buna-N) Std * O-Ring (FKM) * O-Ring (PTFE) * O-Ring (Neoprene) * O-Ring (Ethylene Propylene) *	2	792112 792213 792210 792110 792206
61U	O-Ring (PTFE) *	2	793626
61V	O-Ring (Buna-N) Std * O-Ring (FKM) * O-Ring (PTFE) * O-Ring (Neoprene) * O-Ring (Ethylene Propylene) *	2	792412 792413 792414 792410 792411
61Z	O-Ring (Buna-N) Std * O-Ring (FKM) * O-Ring (PTFE) * O-Ring (Neoprene) * O-Ring (Ethylene Propylene) *	2	792311 792313 792312 792314 792320
63H	Capscrew - Hex Hd Capscrew - Stainless Steel #	2	794115 920588
63M	Capscrew - Hex Hd	12	797093
63S	Capscrew - Hex Hd Capscrew - Stainless Steel #	8	794096 793151
63V	Capscrew - Hex Hd Capscrew - Stainless Steel #	4	793094 793153
63Y	Capscrew - Hex Hd Capscrew - Stainless Steel #	14	793094 793153
65B	Valve Hold-down Screw Valve Hold-down Screw TNT-12	4	792002 792806
73E	Pipe Plug	1	908198
75D	Tube Elbow	1	790355
75E	Tube Tee	1	790356
76D	Tube	1	790358
92	Flange-Inlet (2 NPT) Std Flange-Inlet (2 NPT) TNT-12 Flange-Outlet (1.5 NPT) Std Flange-Outlet (1.5 NPT) TNT-12 Flange (1.25 NPT) Flange (1.25 NPT) TNT-12	1	794117 792837 794116 792836 794118 792866
92A	Flange, 1" NPT - Intercooler Flange, 1" NPT - Intercooler TNT-12	2	793602 792898
98	Actuator Assembly - 1st Stage Act Asy - 1st St, for SS Valve	1	793296 794295
98A	Actuator Assembly - 2nd Stage Act Asy - 2nd St, for SS Valve	1	794296 794298
98B	Unloader Post w/bolt ¹ Unloader Post w/bolt ¹ , for SS Valve	2	793291 794291
98C	Unloader Piston	2	793288
98D	Unloader Body	2	793286
98E	Unloader Plunger	2	794290
98F	Unloader Seal	4	792284
98G	Unloader Cap	2	793287
98H	Lockwasher (2 piece)	2	793473

¹ Unloader Post with bolt replaces earlier style unloader post with retainer ring.

Suggested Spare Parts for HD613C and HDL613C compressors:

Part #	Description	Qty./ Unit	Comm. Qty.	Spare Qty.
794693	Gasket Set - Buna-N	1	1	1
794692	Gasket Set - PTFE *			
794691	Gasket Set - FKM *			
794690	Gasket Set - Neoprene *			
794689	Gasket Set - Ethylene Propylene *			
794660	St1 Suction Valve Repair Kit - PEEK	1		1
794630	St1 Suction Valve Repair Kit - Stainless Steel *			
793660	St2 Suction Valve Repair Kit - PEEK	1		
793630	St2 Suction Valve Repair Kit - Stainless Steel *			
794660	St1 Discharge Valve Repair Kit - PEEK	1		1
794650	St1 Discharge Valve Repair Kit - Stainless Steel *			
793660	St2 Discharge Valve Repair Kit - PEEK	1		1
793650	St2 Discharge Valve Repair Kit - Stainless Steel *			
792284	Unloader Seal *	4		4
794610	St1 Piston Ring - Glass/Moly Filled	3	3	3
794612	St1 Piston Ring - Poly Filled *			
794614	St1 Piston Ring Expander	3	3	3
794611	St2 Piston Ring - Glass/Moly Filled	3		3
794613	St2 Piston Ring - Poly Filled *			
794615	St2 Piston Ring Expander	3		3
794498	Packing Set	6	6	6
790538	Packing Installation Tool	1	1	1
794726	Oil Filter	1		6
794727	Wrist Pin	2		2
794776	Wrist Pin Roller Bearing	4	4	4
794710	Conrod Bearing	2	2	2
The following parts would normally be required only for major compressor overhaul.				
794730	Inboard Bearing Cone	1		1
794731	Inboard Bearing Cup	1		1
794130	Outboard Bearing Cone	1		1
794131	Outboard Bearing Cup	1		1
794435	Crosshead Assembly	2		2
794456	S3R Seal	2		2
794767	Conrod Assembly	2		
794760	Oil Pump Repair Kit	1		
794708	Crankshaft Assembly	1		
794733	Bearing Adjustment Shim Kit	1		
794601	Cylinder (HD613)	1		
792845	TNT-12 Treated Cyl. (HD613) *			
794701	Cylinder (HDL613)	1		
792852	TNT-12 Treated Cyl. (HDL613) *			

* Optional Equipment on New Compressors