



960554 Page 1 of 12	PARTS LIST 901-D04
Section Effective Replaces	901 June 2026 Jan 2026

HDL603C PARTS LIST

(See Instructions 901-D00 for Operation and Maintenance)

Serial # _____

ID# _____

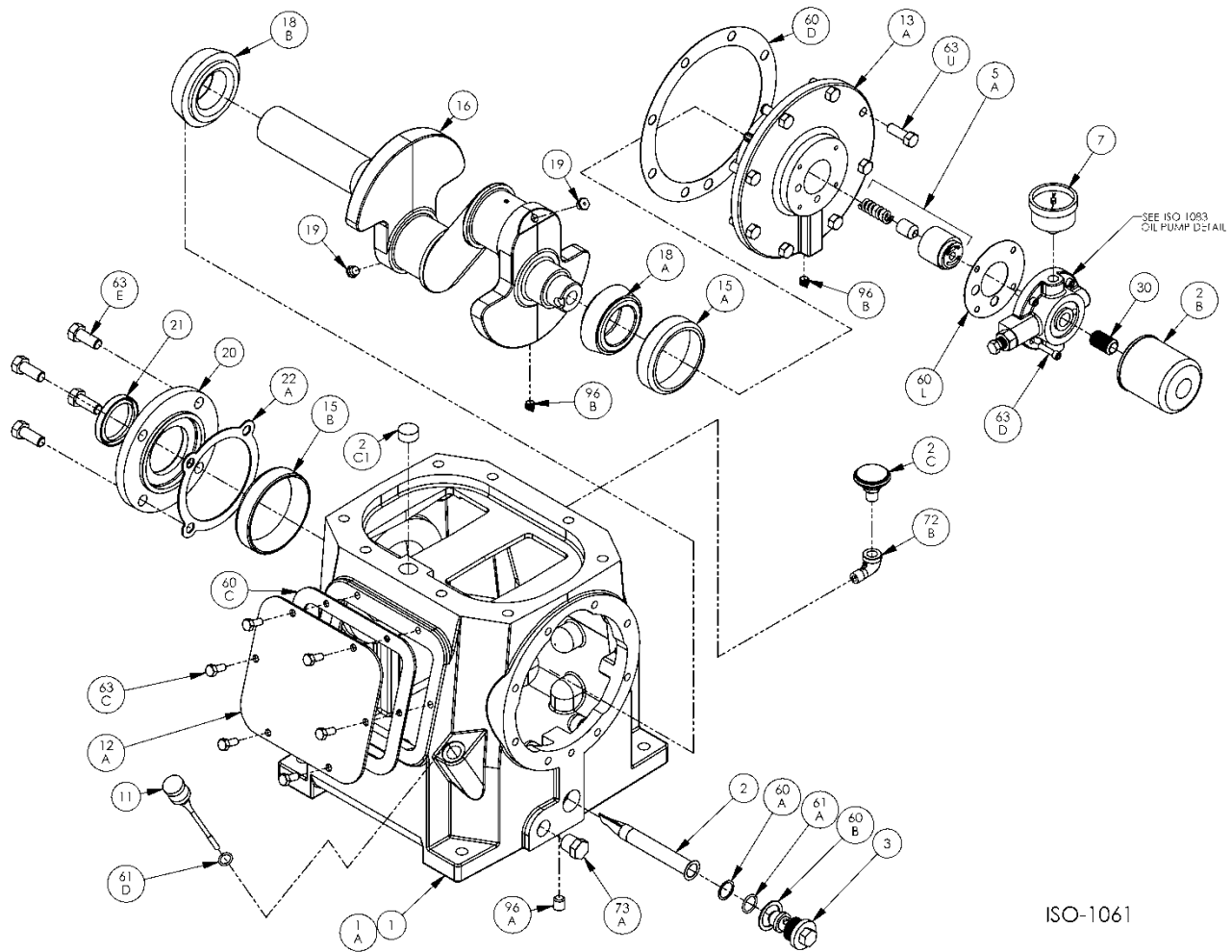
Gasket Sets and Special Tools

Gasket Set	Buna-N & Iron	794594
	PTFE & Iron	794593
	FKM & Iron	794592
	Neoprene & Iron	794590
	Ethylene Propylene & Iron	794589
Packing Installation Tool		790538
Spanner Wrench, 1/4" Adjustable		790316
Wrench for Valve Holdown Screw		790535
Piston Tool		798005

Table of Contents

Cover Page	1
Crankcase	2
Oil Pump	3
Flywheel	4
Crosshead	5
Packing	6
Cylinder	7
Head	8
Head with Unloaders	9-10

Notes:



ISO-1061

Crankcase Assembly:

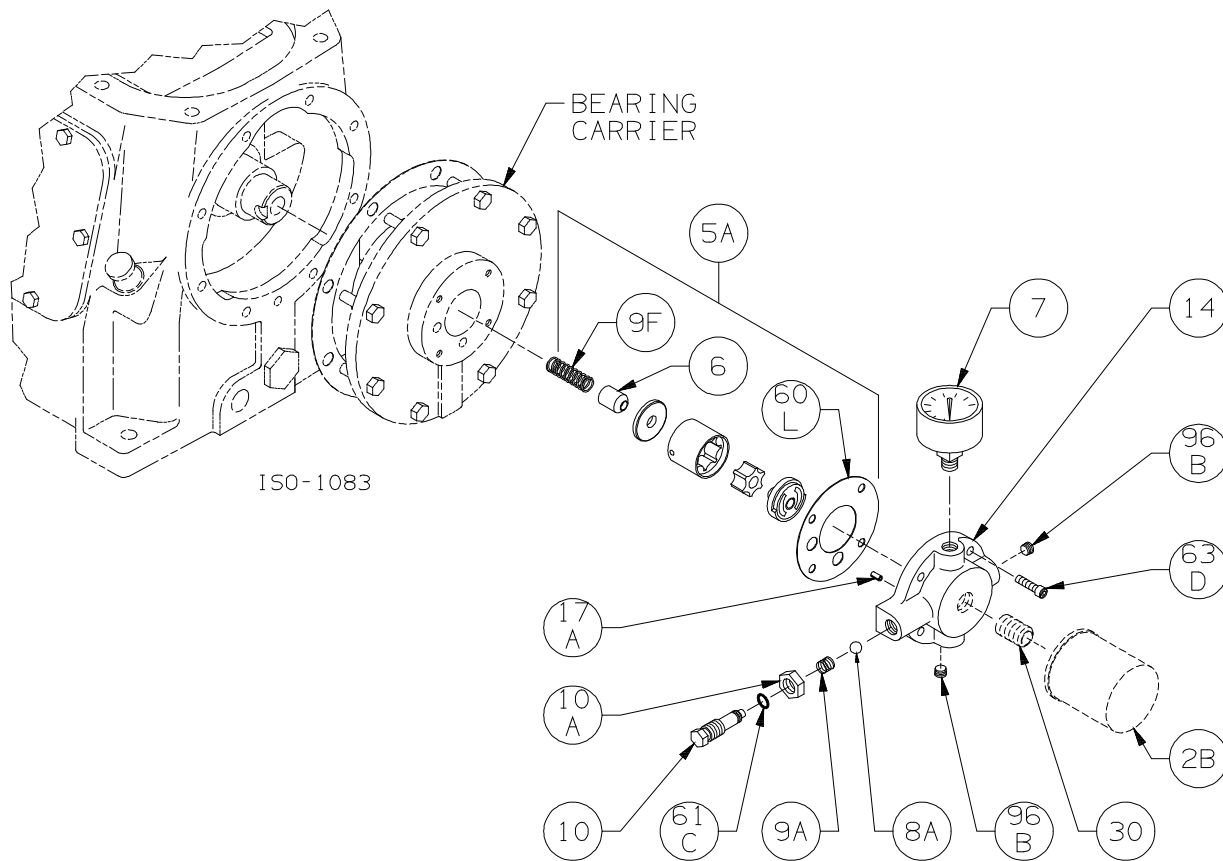
Models HD601B, HD602C|B, HD603C|B, HDL602C|B, HDL603C|B, HDL642C|B, HDL643C|B, HDS602C|B, HD612C|B, HD613C|B, HDL612C|B, HDL613C|B, HDS612C|B

ISO1061

Ref	Description	Qty	Part No
1	Crankcase Assembly – with Oil Filter (std.) Crankcase Assembly – no Oil Filter	1	794758 794759
1A	Crankcase	1	794709
2	Oil Intake Screen	1	792135
2B	Oil Filter	1	794726
2C	Breather Filter (current)	1	792070
2C1	Breather Filter (Previous Construction)		794752
3	Oil Screen Plug	1	792145
5A	Oil Pump Kit	1	794760
7	Oil Pressure Gauge	1	790012
11	Oil Bayonet Assembly	1	792162
12A	Inspection Plate	1	794140
13A	Bearing Carrier	1	794714
15A	Bearing Cup (Outboard)	1	794131
15B	Bearing Cup (Inboard)	1	794731
16	Crankshaft Assy (w\ 18A,18B,19,96B)	1	794708
18A	Bearing Cone (Outboard)	1	794130
18B	Bearing Cone (Inboard)	1	794730
19	Orifice	2	792146

Ref	Description	Qty	Part No
20	Bearing Cover Plate	1	794716
21	Oil Seal	1	794732
22A	Bearing Adjustment Shim Kit	1	794733
30	Oil Filter Fitting	1	794725
60A	Gasket - Oil Screen *	1	792136
60B	Gasket - Oil Screen Plug *	1	792123
60C	Gasket - Inspection Plate *	1	794122
60D	Gasket - Bearing Carrier Assembly*	1	794720
60L	Gasket - Oil Pump Cover *	1	794721
61A	O-Ring - Oil Screen *	1	792175
61D	O-Ring - Oil Bayonet *	1	792174
63C	Capscrew - Hex Hd	6	793116
63D	Capscrew - Soc Hd	4	790559
63E	Capscrew - Hex Hd	4	790484
63U	Capscrew - Hex Hd	8	792093
72B	Elbow	1	790453
73A	Pipe Plug	1	790024
96A	Pipe Plug	1	790488
96B	Pipe Plug	2	790309

* Included in Gasket Sets



Oil Pump Detail for Models:

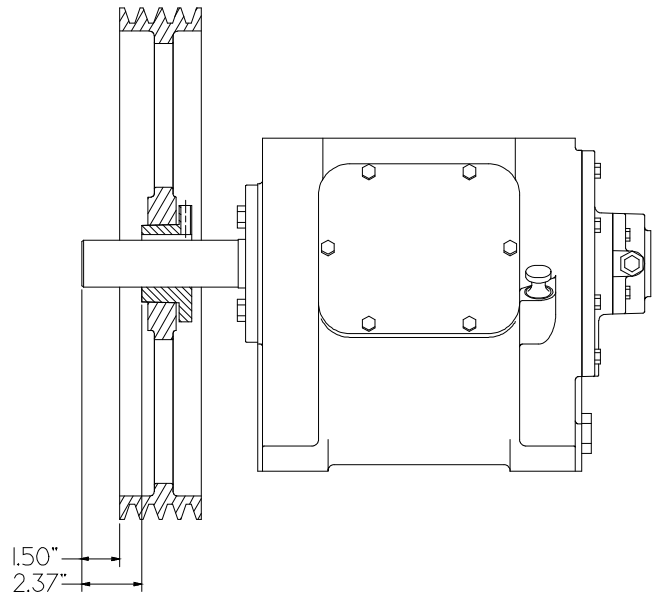
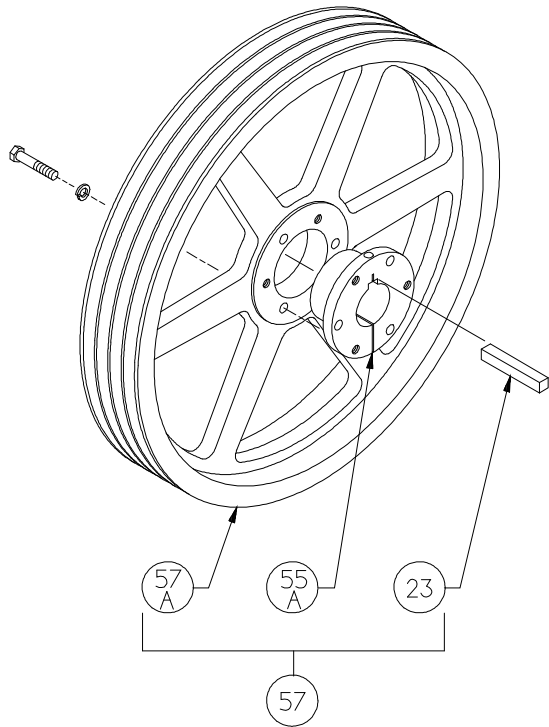
HD082C, HD161C|B, HD162C|B, HD163C, HDS162C
 HD172C|B, HD173C, HDL172C, HDL173C, HDS172C,
 HDL342C|B, HDL343C|B, HDL322C, HDL323C
 HD361C|B, HD362C|B, HD363|B, HDS362C, HDL362C|B, HDL363C|B,
 HD372C|B, HDL372C|B, HD373C, HDL373C|B, HDS372C
 HD601B, HD602C|B, HD603C|B, HDL602C|B, HDL603C|B, HDS602C, HDL642C|B, HDL643C|B,
 HD612C|B, HDL612C|B, HD613C|B, HDL613C|B, HDS612C|B
 HD942B|A, HDL942B|A, HDS942B, HD943B, HDL943B

ISO1083

Ref	Description	Qty	Part No
2B	Oil Filter	1	794726
5A	Oil Pump Kit (with 6, 9F, 60L)		794760
6	Oil Pump Cone	1	794750
7	Oil Pressure Gauge	1	790012
8A	Oil Pressure Adj. Ball	1	792154
9A	Oil Pressure Adj. Spring	1	792153
9F	Oil Pump Spring	1	794751
10	Oil Pressure Adj. Screw	1	792148
10A	Locknut	1	792152

Ref	Description	Qty	Part No
	Oil Pump Cover Assembly - For Filter		794764
14	Oil Pump Cover Assembly (both include 17A, 96B)	1	794763
17A	Roll Pin	1	794753
30	Oil Filter Fitting	1	794725
60L	Gasket - Oil Pump Cover *	1	794721
61C	O-Ring - Adjusting Screw *	1	792168
63D	Capscrew - Socket Head	4	790559
96B	Pipe Plug	2	790309

* Included in Gasket Sets

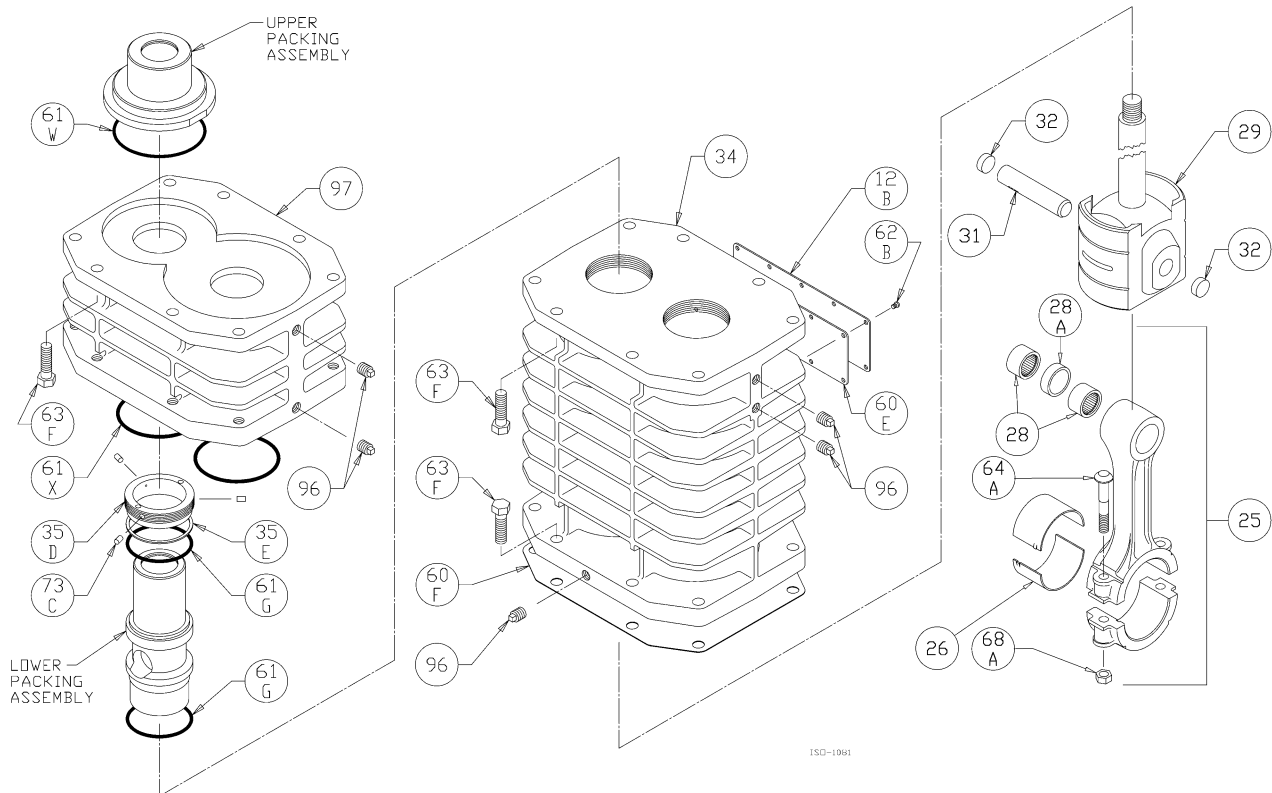


ISO-1084

Standard Flywheel Assembly:
 HD601B, HD602C|B, HD603C|B
 HDL602C|B, HDL603C|B, HDS602C|B
 HDL642C|B, HDL643C|B

ISO1084

Ref	Description	Qty	Part No
23	Key	1	794267
55A	Hub (SF 1.875)	1	790149
57	Flywheel Assembly	1	794132
57A	Flywheel	1	790545



ISO-1081

Crosshead Assembly: HD603C, HDL603C, HDL643C

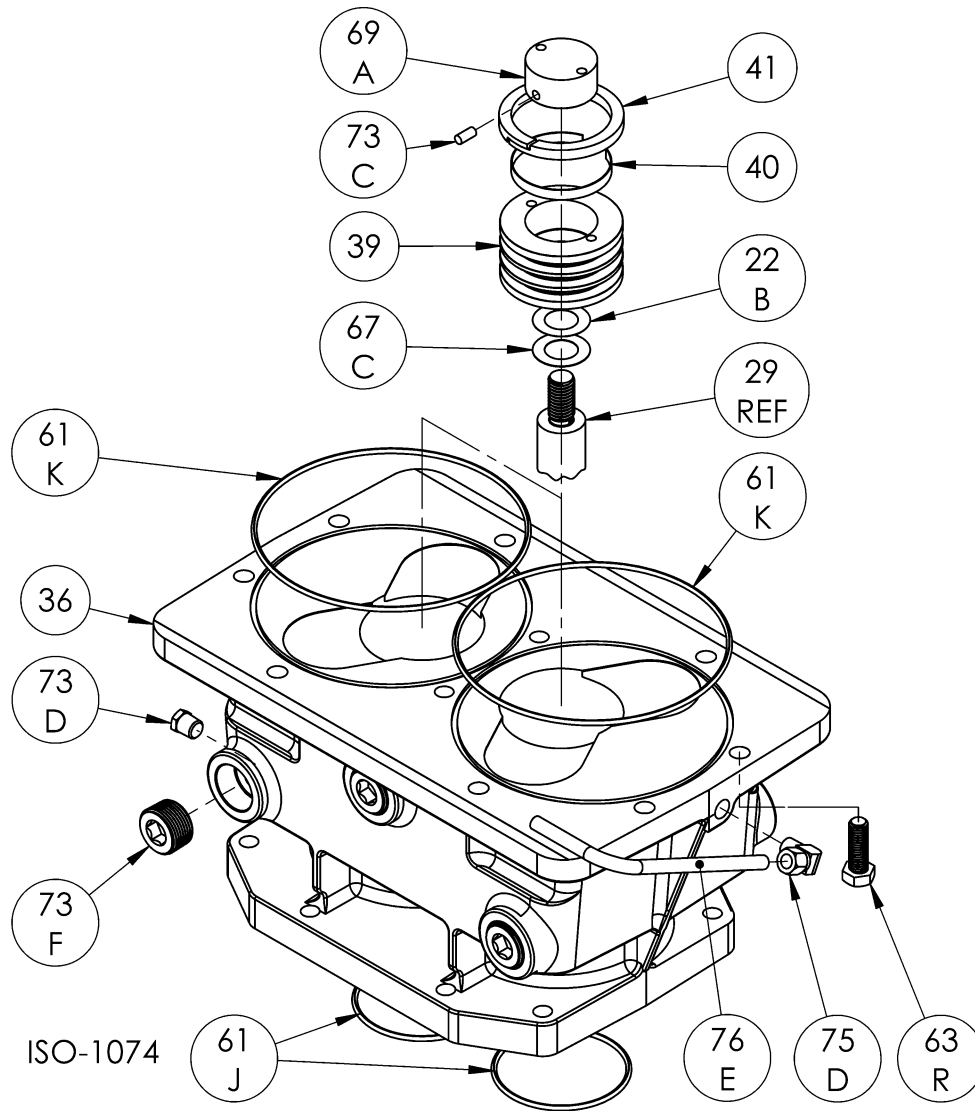
ISO1081

Ref	Description	Qty	Part No
12B	Inspection Plate	1	794093
25	Connecting Rod Assembly	2	794767
26	Connecting Rod Bearing	2	794710
28	Wrist Pin Roller Bearing	4	794776
28A	Bearing Spacer	2	794770
29	Crosshead Assembly	2	794435
31	Wrist Pin	2	794727
32	Wrist Pin Plug	4	794724
34	Crosshead Guide	1	794430
35D	Hold-down Ring	2	794220
35E	Spacer Ring	2	794403
60E	Gasket - Inspection Plate *	1	794092
60F	Gasket - Crankcase *	1	794121
61G	O-Ring (Buna-N) *	4	794082
	O-Ring (FKM) *		794213
	O-Ring (PTFE) *		794208
	O-Ring (Neoprene) *		794090
	O-Ring (Ethylene Propylene) *		794206
61W	HD603C, HDL603C only	2	793177
	O-Ring (Buna-N) *		793212
	O-Ring (FKM) *		793210
	O-Ring (Neoprene) *		793216
	O-Ring (Ethylene Propylene) *		793206

Ref	Description	Qty	Part No
61W	HDL643C only	2	
	O-Ring (Buna-N) *		794082
	O-Ring (FKM) *		794213
	O-Ring (PTFE) *		794208
	O-Ring (Neoprene) *		794090
61X	O-Ring (Ethylene Propylene) *	2	794206
	O-Ring (Buna-N) *		794426
	O-Ring (FKM) *		794425
	O-Ring (PTFE) *		794427
62B	O-Ring (Neoprene) *	10	794424
	O-Ring (Ethylene Propylene) *		794428
63F	Machine Screw - Inspection Plate	10	793096
63F	Capscrew - Hex Hd	24	794094
	Capscrew - Stainless Steel #		801185
64A	Connecting Rod Bolt	4	794012
68A	Connecting Rod Bolt Nut	4	794013
72A	Elbow - Vent	1	790453
73C	Lock Plug *	6	794028
96	Pipe Plug	9	908198
97	Distance Piece	1	794410

* Included in Gasket Sets

Standard with TNT-12 Cylinder



Cylinder Assembly: HDL602C|B, HDL603C|B

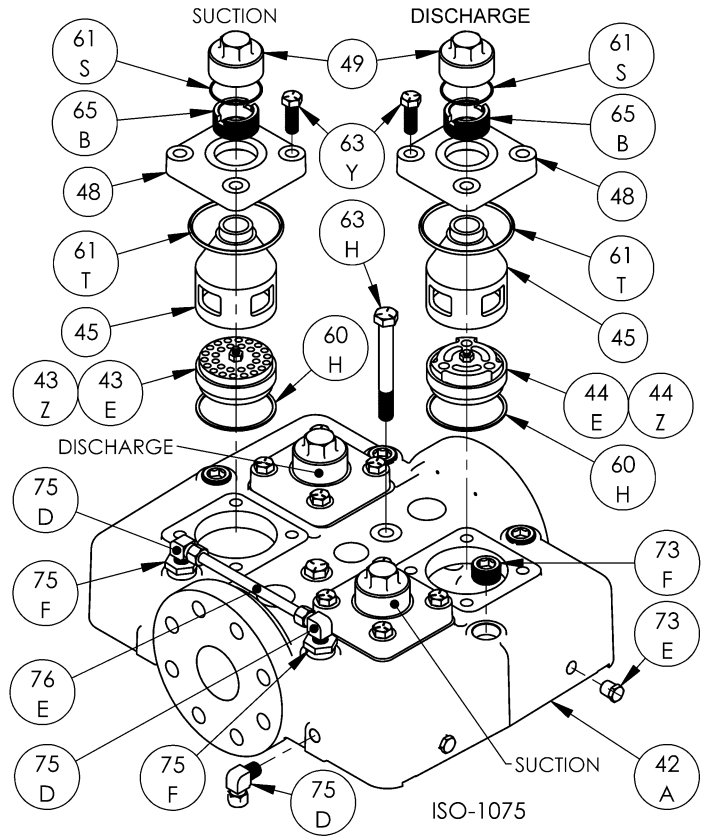
ISO1074

Ref	Description	Qty	Part No
22B	Piston Shim - 0.015	AR	794434
	Piston Shim - 0.007		794436
36	Cylinder	1	794503
	Cylinder TNT-12		792876
39	Piston	2	794431
	Piston TNT-12		792833
40	Expander	6	793614
41	Piston Ring – Glass/Moly Filled, Std	6	793610
	Piston Ring - Poly Filled		793612
61J	O-Ring (Buna N) Std *	2	794126
	O-Ring (FKM) *		794214
	O-Ring (PTFE) *		794125
	O-Ring (Neoprene) *		794142
	O-Ring (Ethylene Propylene) *		794210

Ref	Description	Qty	Part No
61K	O-Ring (Buna N) Std *	2	794104
	O-Ring (FKM) *		794106
	O-Ring (PTFE) *		794105
	O-Ring (Neoprene) *		794108
	O-Ring (Ethylene Propylene) *		794110
63R	Capscrew - Hex Hd	8	794097
	Capscrew – Stainless Steel #		793150
67C	Thrust Washer	2	794433
69A	Piston Nut	2	794422
	Piston Nut TNT-12		792834
73C	Lock Plug *	4	794222
73D	Pipe Plug	1	908198
73F	Pipe Plug 1"	6	790452
75D	Tube Elbow	1	790367
76E	Tube – 3/8" Copper	1	790319

* Included in Gasket Sets

Standard with TNT-12 Cylinder



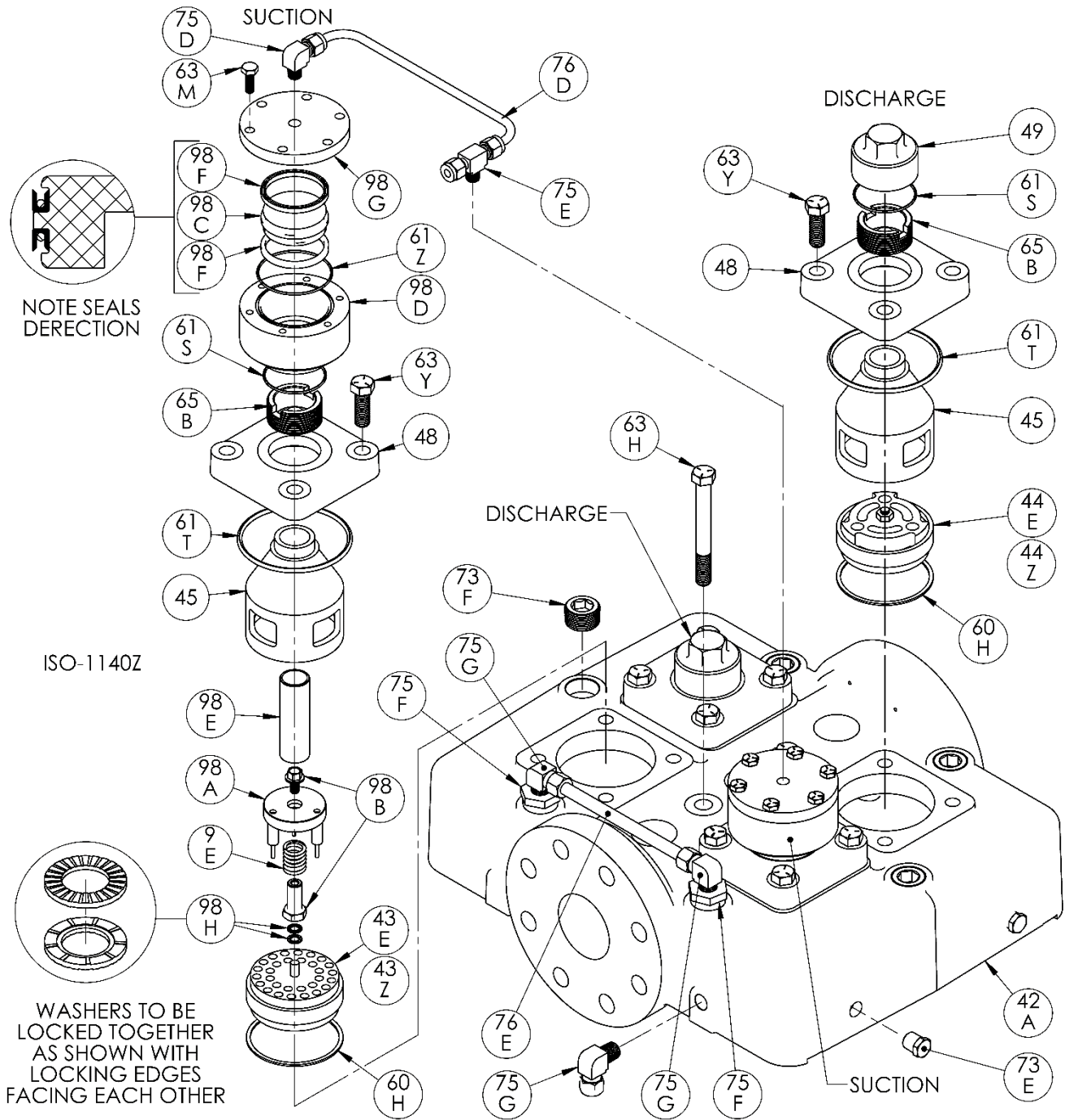
Head Assembly: HDL602C|B, HDL603C|B

ISO1075

Ref	Description	Qty	Part No
42A	Head	1	794504
	Head TNT-12		792877
43E	Suction Valve Assembly	2	793659
	Suction Valve Assembly TNT-12		792872
	Suction Valve Assembly, Stainless Steel		793629
43Z	Valve Repair Kit - For 793659/793679		793660
	Valve Repair Kit - For 793629		793630
44E	Discharge Valve Assembly	2	793679
	Discharge Valve Assembly TNT-12		792873
	Discharge Valve Assy, Stainless Steel		793649
44Z	Valve Repair Kit - For 793659/793679		793660
	Valve Repair Kit - For 793649		793650
45	Cage	4	794620
	Cage TNT-12		792835
48	Valve Cover Plate	4	794284
	Valve Cover Plate TNT-12		792817
49	Valve Cap	4	792003
	Valve Cap TNT-12		792804
60H	Gasket - Valve *	4	794198
61S	O-Ring (Buna-N) Std *	4	792306
	O-Ring (FKM) *		792308
	O-Ring (PTFE) *		792307
	O-Ring (Neoprene) *		792309
	O-Ring (Ethylene Propylene) *		792310

* Included in Gasket Sets
Standard with TNT-12 Cylinder

Ref	Description	Qty	Part No
61T	O-Ring (Buna-N) Std *	4	792112
	O-Ring (FKM) *		792213
	O-Ring (PTFE) *		792210
	O-Ring (Neoprene) *		792110
	O-Ring (Ethylene Propylene) *		792206
61V	O-Ring (Buna-N) Std *	2	792412
	O-Ring (FKM) *		792413
	O-Ring (PTFE) *		792414
	O-Ring (Neoprene) *		792410
63H	Capscrew - Hex Hd	2	794115
	Capscrew - Stainless Steel #		920588
63S	Capscrew - Hex Hd	8	794096
63Y	Capscrew - Hex Hd	16	793094
	Capscrew - Stainless Steel #		793153
65B	Valve Holddown Screw	4	792002
	Valve Holddown Screw TNT-12		792806
73E	Pipe Plug	2	908198
73F	Pipe Plug 3/4"	4	790451
75D	Tube Elbow	3	790367
75F	Pipe Bushing	2	790450
76E	Tube - 3/8" Copper	1	790359
92	Flange-Inlet (2 NPT) Std	1	794117
	Flange-Inlet (2 NPT) TNT-12		792837
	Flange-Outlet (1.5 NPT) Std		794116
	Flange-Outlet (1.5 NPT) TNT-12		792836
	Flange (1.25 NPT)		794118
	Flange (1.25 NPT) TNT-12	792866	



Head Assembly with Unloaders: HDL602C|B, HDL603C|B,

OVER.....

Head Assembly with Unloaders: HDL602C|B, HDL603C|B

Ref	Description	Qty	Part No
9E	Unloader Spring	2	793293
42A	Head Head TNT-12	1	794502 792877
43E	Suction Valve Assembly Suction Valve Assembly TNT-12 Suction Valve Assy, Stainless Steel	2	793659 792872 793629
43Z	Valve Repair Kit - For 793659/793679 Valve Repair Kit - For 793629		793660 793630
44E	Discharge Valve Assembly Discharge Valve Assembly TNT-12 Discharge Valve Assy, Stainless Steel	2	793679 792873 793649
44Z	Valve Repair Kit - For 793659/793679 Valve Repair Kit - For 793649		793660 793650
45	Cage Cage TNT-12	4	794620 792835
48	Valve Cover Plate Valve Cover Plate TNT-12	4	794284 792817
49	Valve Cap Valve Cap TNT-12	2	792003 792804
60H	Gasket - Valve *	4	794198
61S	O-Ring (Buna-N) Std * O-Ring (FKM) * O-Ring (PTFE) * O-Ring (Neoprene) * O-Ring (Ethylene Propylene) *	4	792306 792308 792307 792309 792310
61T	O-Ring (Buna-N) Std * O-Ring (FKM) * O-Ring (PTFE) * O-Ring (Neoprene) * O-Ring (Ethylene Propylene) *	4	792112 792213 792210 792110 792206
61V	O-Ring (Buna-N) Std * O-Ring (FKM) * O-Ring (PTFE) * O-Ring (Neoprene) * O-Ring (Ethylene Propylene) *	2	792412 792413 792414 792410 792411

Ref	Description	Qty	Part No
61Z	O-Ring (Buna-N) Std * O-Ring (FKM) * O-Ring (PTFE) * O-Ring (Neoprene) * O-Ring (Ethylene Propylene) *	2	792311 792313 792312 792314 792320
63H	Capscrew - Hex Hd Capscrew - Stainless Steel #	2	794115 920588
63M	Capscrew - Hex Hd	12	797093
63S	Capscrew - Hex Hd	8	794096
63Y	Capscrew - Hex Hd Capscrew - Stainless Steel #	16	793094 793153
65B	Valve Holddown Screw Valve Holddown Screw TNT-12	4	792002 792806
73E	Pipe Plug	2	908198
73F	Pipe Plug 3/4"	4	790451
75D	Tube Elbow	1	790355
75E	Tube Tee	1	790356
75F	Pipe Bushing	2	790450
75G	Tube Elbow	3	790367
76D	Tube - 1/4" SS	1	790357
76E	Tube - 3/8" Copper	1	790359
92	Flange-Inlet (2 NPT) Std Flange-Inlet (2 NPT) TNT-12 Flange-Outlet (1.5 NPT) Std Flange-Outlet (1.5 NPT) TNT-12 Flange (1.25 NPT) Flange (1.25 NPT) TNT-12	1	794117 792837 794116 792836 794118 792866
98A	Actuator Assembly Actuator Assembly, for SS Valve	2	794296 794298
98B	Unloader Post w/bolt ¹ Unloader Post w/bolt ¹ , for SS Vlv	2	793291 794291
98C	Unloader Piston	2	793288
98D	Unloader Body	2	793286
98E	Unloader Plunger	2	794290
98F	Unloader Seal	4	792284
98G	Unloader Cap	2	793287
98H	Lockwasher (2 piece)	2	793473

* Included in Gasket Sets

Standard with TNT-12 Cylinder

¹ Unloader Post with bolt replaces earlier style unloader post with retainer ring.

Suggested Spare Parts for HD603C & HDL603C compressors:

Part #	Description	Qty./ Unit	Comm. Qty.	Spare Qty.
794594	Gasket Set - Buna-N	1	1	1
794593	Gasket Set - PTFE *			
794592	Gasket Set - FKM *			
794590	Gasket Set - Neoprene *			
794589	Gasket Set - Ethylene Propylene *			
793660	Suction Valve Repair Kit - PEEK	2		2
793630	Suction Valve Repair Kit - Stainless Steel *			
793660	Discharge Valve Repair Kit - PEEK	2		2
793650	Discharge Valve Repair Kit - Stainless Steel *			
792284	Unloader Seal *	4		4
793610	Piston Ring - Glass/Moly Filled	6	6	6
793612	Piston Ring - Poly Filled *			
793614	Piston Ring Expander	6	6	6
794498	Packing Set	6	6	6
790538	Packing Installation Tool	1	1	1
794726	Oil Filter	1		6
794727	Wrist Pin	2		2
794776	Wrist Pin Roller Bearing	4	4	4
794710	Conrod Bearing	2	2	2
The following parts would normally be required only for major compressor overhaul.				
794730	Inboard Bearing Cone	1		1
794731	Inboard Bearing Cup	1		1
794130	Outboard Bearing Cone	1		1
794131	Outboard Bearing Cup	1		1
794435	Crosshead Assembly	2		2
794456	S3R Seal	2		2
794767	Conrod Assembly	2		
794760	Oil Pump Repair Kit	1		
794708	Crankshaft Assembly	1		
794733	Bearing Adjustment Shim Kit	1		
794103	Cylinder (HD603C)	1		
792831	TNT-12 Treated Cyl. (HD603C) *			
794503	Cylinder (HDL603C)	1		
792876	TNT-12 Treated Cyl. (HDL603C) *			

* Optional Equipment on New Compressors

Notes: