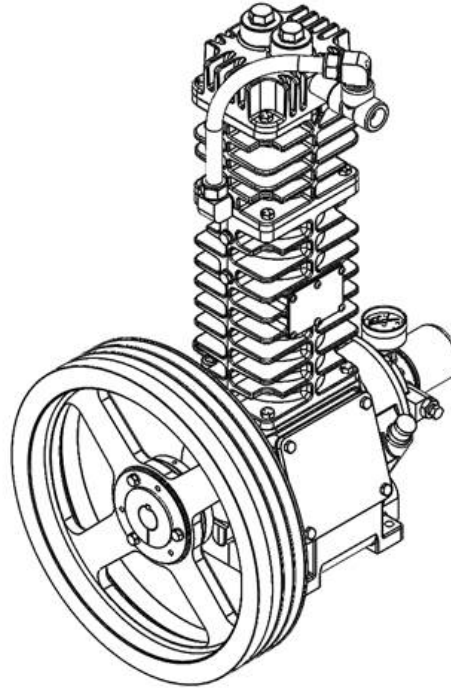
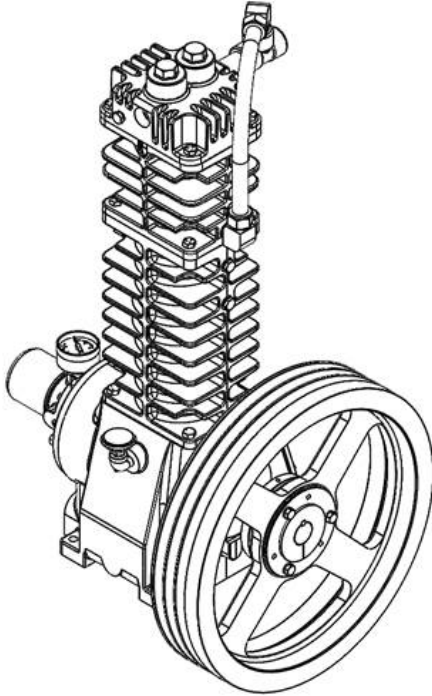


HD082C PARTS LIST

(See Instructions 901-A00 for Operation and Maintenance)

Serial # _____

ID# _____



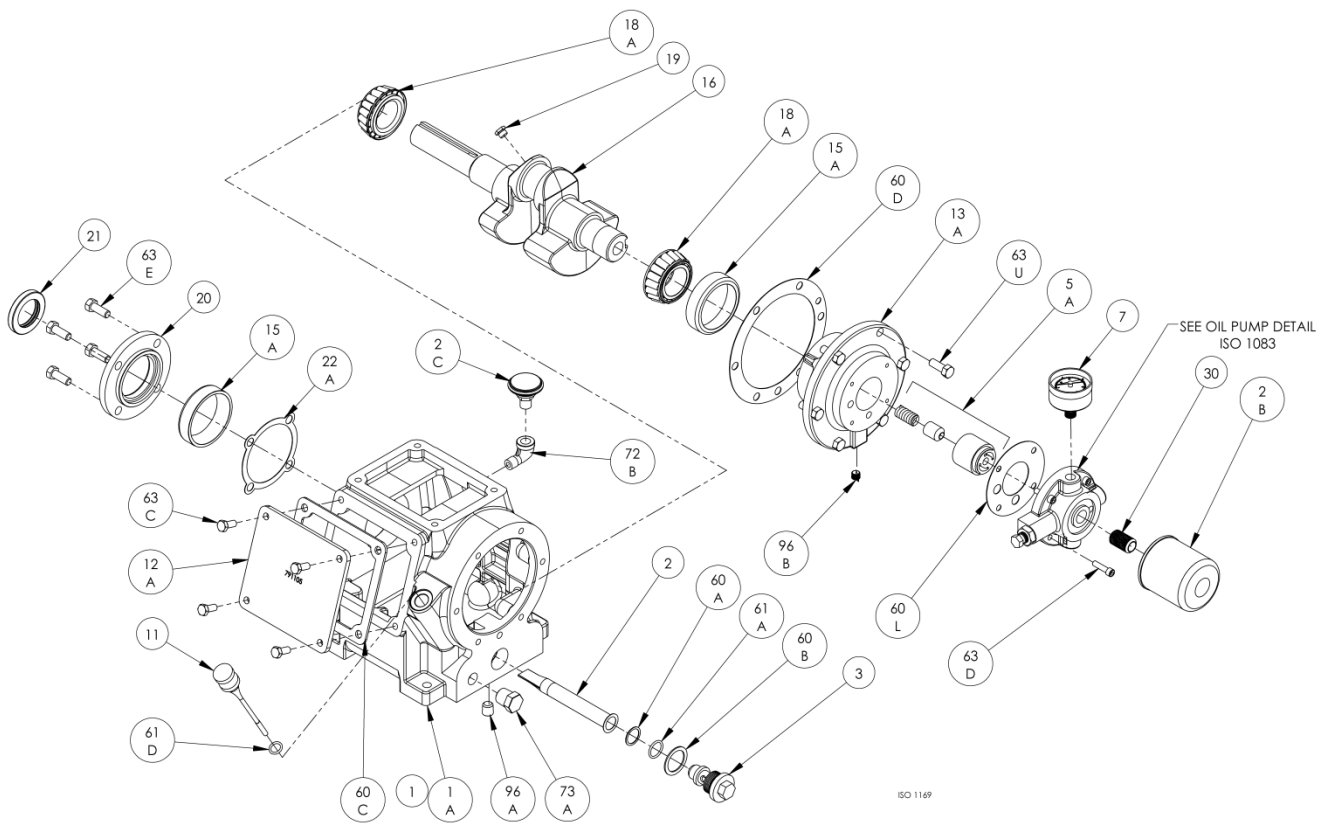
Gasket Set, Repair Kits and Special Tools

Gasket Set	Buna-N & Iron	791400
	FKM & Iron	791401
	PTFE & Iron	791402
	Neoprene & Iron	791403
	Ethylene Propylene & Iron	791404
Packing Installation Tool		790536
Spanner Wrench, 1/4" Adjustable		790316
Wrench for Valve Hold Down Screw		790535
Valve Hold Down Ring Torque/Removal Tool		798016
Piston Removal/Torque Tool		798002
Packing Ring Removal/Torque Tool		798015

Table of Contents

Model	1
Crankcase	3
Oil Pump	4
Flywheel	5
Crosshead	6
Cylinder	7
Head	8-10

Notes:



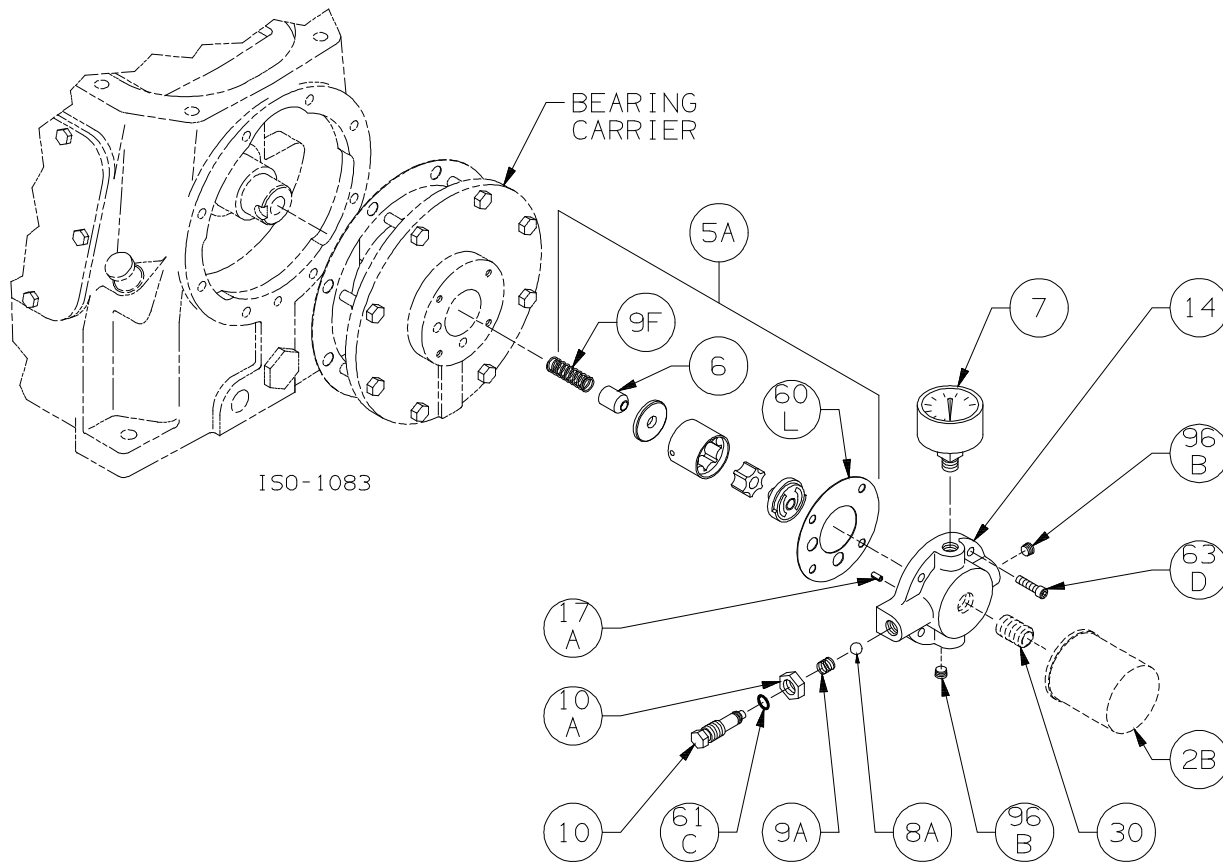
Crankcase Assembly: Models HD082C

ISO1169

Ref	Description	Qty	Part No
1	Crankcase Assembly – with Oil Filter	1	791241
1A	Crankcase	1	791202
2	Oil Intake Screen	1	792135
2B	Oil Filter	1	794726
2C	Breather Filter	1	792070
3	Oil Screen Plug	1	792145
5A	Oil Pump Kit	1	794760
7	Oil Pressure Gauge	1	790012
11	Oil Bayonet Assembly	1	792162
12A	Inspection Plate	1	791205
13A	Bearing Carrier	1	792104
15A	Bearing Cup	2	793126
16	Crankshaft Assembly (w/ 18A,19)	1	791257
18A	Bearing Cone	2	793142
19	Orifice	1	792146
20	Bearing Cover Plate	1	793106
21	Oil Seal	1	793143

Ref	Description	Qty	Part No
22A	Bearing Adjustment Shim Kit	1	793133
30	Oil Filter Fitting	1	794725
60A	Gasket - Oil Screen *	1	792136
60B	Gasket - Oil Screen Plug *	1	792123
60C	Gasket - Inspection Plate *	1	791222
60D	Gasket - Bearing Carrier Assembly*	1	792124
60L	Gasket - Oil Pump Cover *	1	794721
61A	O-Ring - Oil Screen *	1	792175
61D	O-Ring - Oil Bayonet *	1	792174
63C	Capscrew - Hex Hd	4	793116
63D	Capscrew - Soc Hd	4	790559
63E	Capscrew - Hex Hd	4	792093
63U	Capscrew - Hex Hd	6	792093
72B	Elbow	1	790453
73A	Pipe Plug	1	792166
96A	Pipe Plug	1	790488
96B	Pipe Plug	1	790309

* Included in Gasket Sets



Oil Pump Detail for Models:

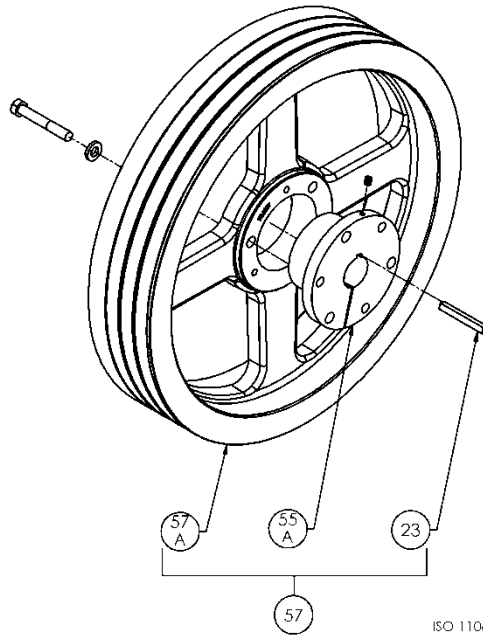
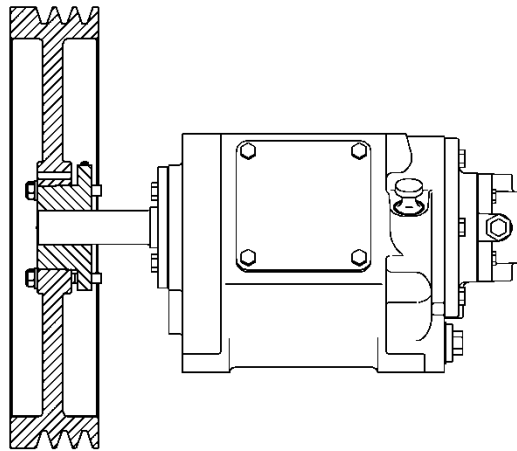
HD082C, HD161C|B, HD162C|B, HD163C, HDS162C
 HD172C|B, HD173C, HDL172C, HDL173C, HDS172C,
 HDL342C|B, HDL343C|B, HDL322C, HDL323C
 HD361C|B, HD362C|B, HD363|B, HDS362C, HDL362C|B, HDL363C|B,
 HD372C|B, HDL372C|B, HD373C, HDL373C|B, HDS372C
 HD601B, HD602C|B, HD603C|B, HDL602C|B, HDL603C|B, HDS602C, HDL642C|B, HDL643C|B,
 HD612C|B, HDL612C|B, HD613C|B, HDL613C|B, HDS612C|B
 HD942B|A, HDL942B|A, HDS942B, HD943B, HDL943B

ISO1083

Ref	Description	Qty	Part No
2B	Oil Filter	1	794726
5A	Oil Pump Kit (with 6, 9F, 60L)		794760
6	Oil Pump Cone	1	794750
7	Oil Pressure Gauge	1	790012
8A	Oil Pressure Adj. Ball	1	792154
9A	Oil Pressure Adj. Spring	1	792153
9F	Oil Pump Spring	1	794751
10	Oil Pressure Adj. Screw	1	792148
10A	Locknut	1	792152

Ref	Description	Qty	Part No
	Oil Pump Cover Assembly - For Filter		794764
14	Oil Pump Cover Assembly (both include 17A, 96B)	1	794763
17A	Roll Pin	1	794753
30	Oil Filter Fitting	1	794725
60L	Gasket - Oil Pump Cover *	1	794721
61C	O-Ring - Adjusting Screw *	1	792168
63D	Capscrew - Socket Head	4	790559
96B	Pipe Plug	2	790309

* Included in Gasket Sets

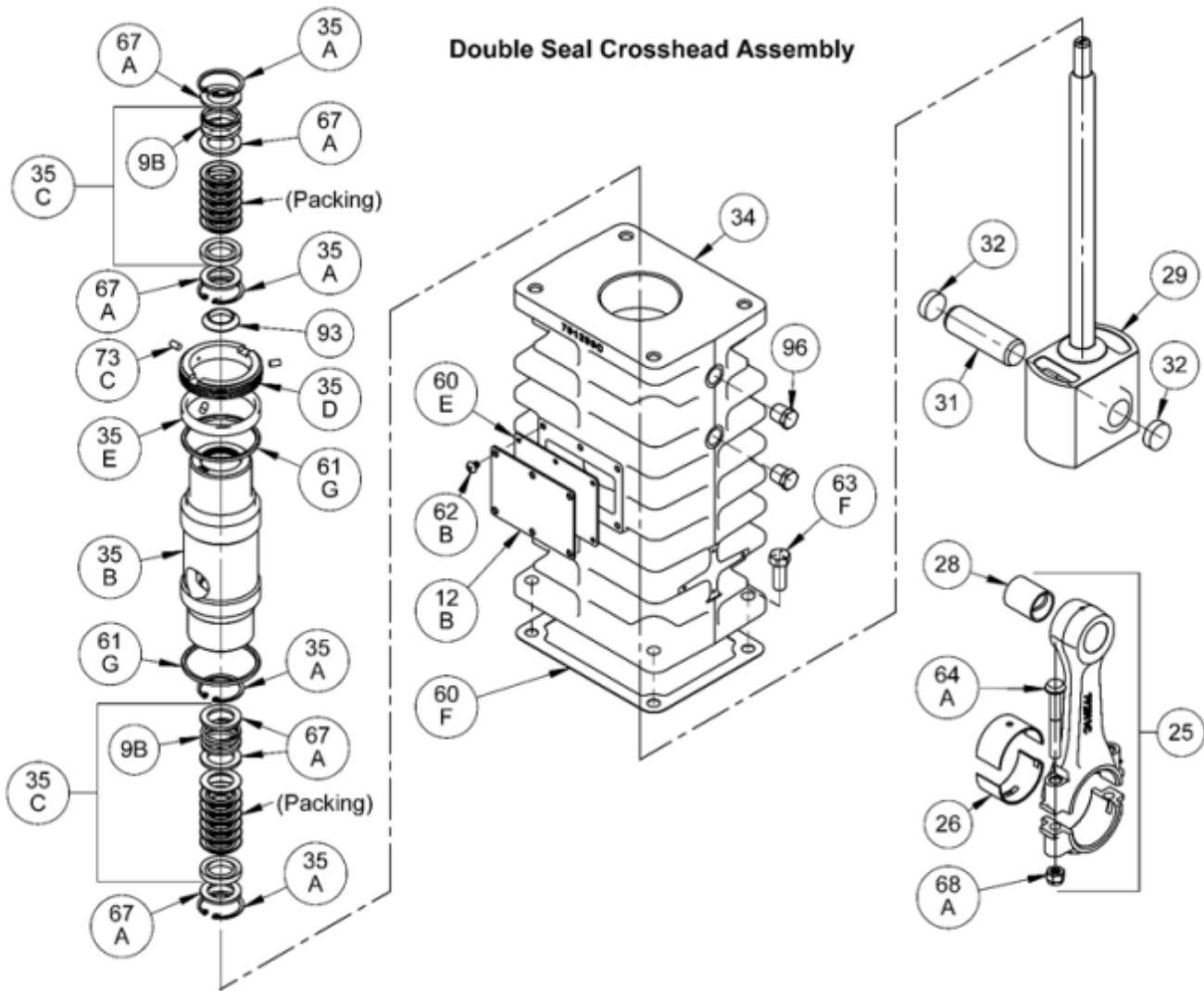


Models:
 HD082C
 HD161C, HD161B
 HD162C, HD162B
 HD163C, HD163B

 HD172C, HD172B
 HD173C, HD173B
 HDL172C, HDL173C
 HDS172C

Ref	Description	Qty	Part No
23	Key	1	792167
55A	Hub (SF 1.25")	1	790563
57	Flywheel Assembly	1	792073
57A	Flywheel	1	792197

Note: Earlier HD172C, HD172B, HD173C and HD173B air-cooled compressors had a fan fitted to the flywheel.



Crosshead Assembly: HD082C

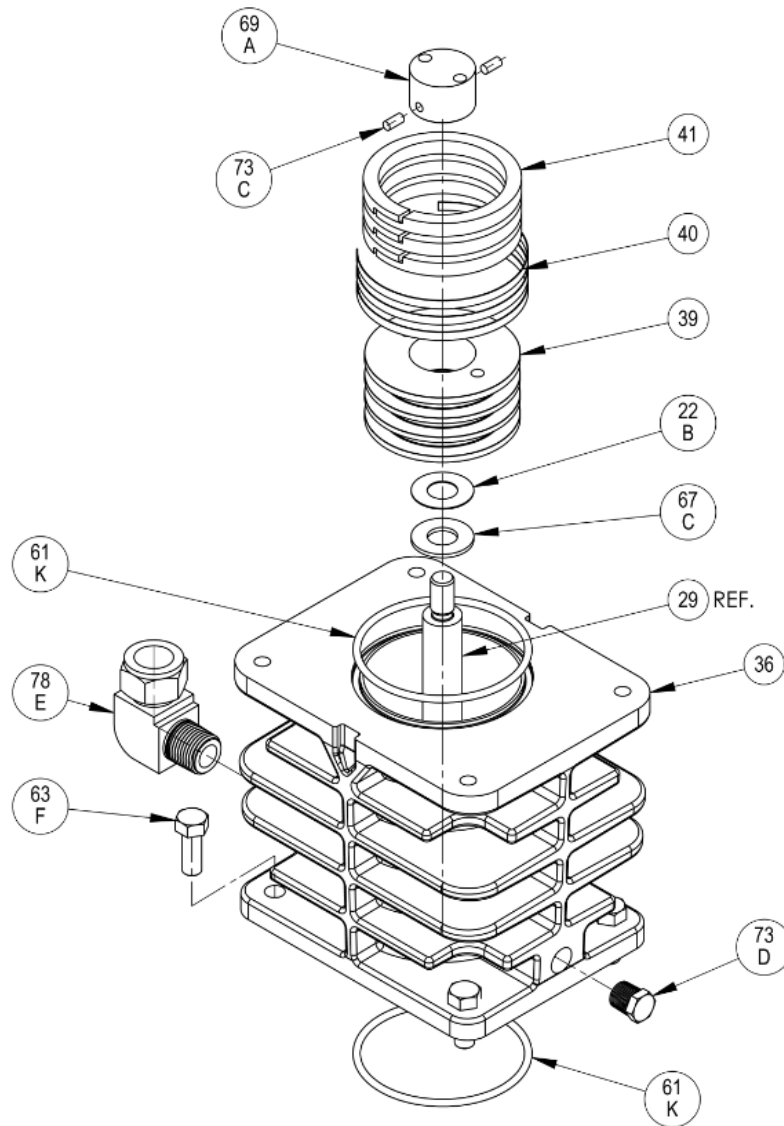
ISO1182

Ref	Description	Qty	Part No
9B	Packing Spring	1	792077
12B	Inspection Plate	1	791217
25	Connecting Rod Assembly	1	792301
26	Connecting Rod Bearing	1	792012
28	Wrist Pin Bearing	1	792302
29	Crosshead Assembly	1	792501
31	Wrist Pin	1	792014
32	Wrist Pin Plug	2	792178
34	Crosshead Guide	1	791293
35A	Retainer Ring	4	793404
35B	Packing Box Packing Box, TNT-12	1	792502 792503
35C	Packing Set	2	793510
35D	Hold-down Ring Hold-down Ring, TNT-12	1	793220 792810
35E	Spacer Ring Spacer Ring, TNT-12	1	793402 792821

Ref	Description	Qty	Part No
60E	Gasket - Inspection Plate *	1	791292
60F	Gasket - Crankcase *	1	791221
61G	O-Ring (Buna-N) Std*	2	792125
	O-Ring (FKM) *		793213
	O-Ring (PTFE)*		793211
	O-Ring (Neoprene) *		793215
	O-Ring (Ethylene Propylene) *		793207
62B	Machine Screw – Inspection Plate	6	793096
63F	Capscrew – Hex Hd	4	792093
	Capscrew – Stainless Steel #		098392
64A	Connecting Rod Bolt	2	792006
67A	Washer – Packing Box	6	792087
68A	Connecting Rod Bolt Nut	2	792005
73C	Lock plug *	3	792030
93	Oil Deflector Ring	1	793478
96	Pipe Plug	4	908198

* Included in Gasket Sets

Standard with TNT-12 Cylinder



Cylinder Assembly: Model HD082C

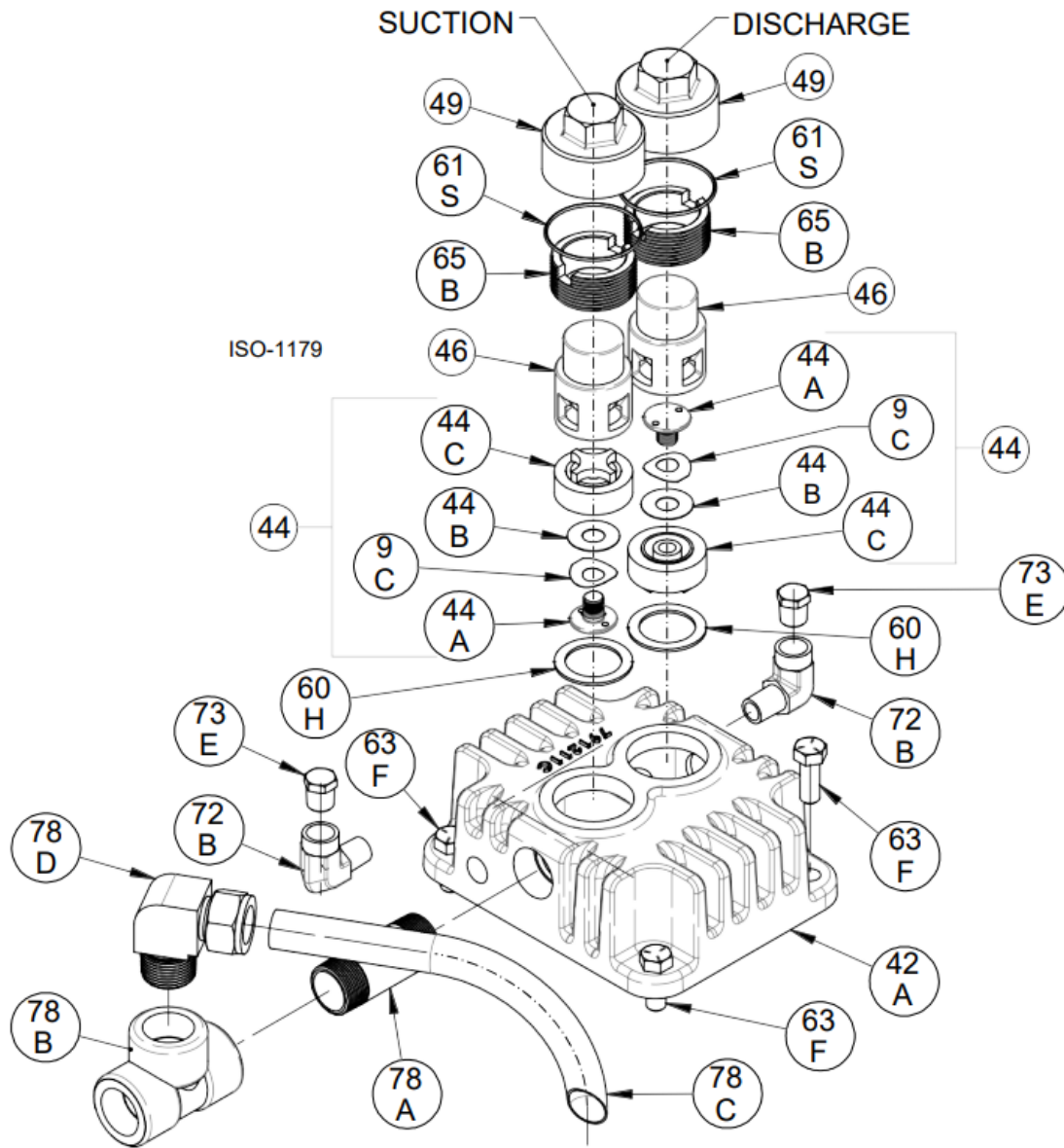
ISO 1178

Ref	Description	Qty	Part No
22B	Piston Shim - 0.015	AR	792034
	Piston Shim - 0.007		792050
36	Cylinder	1	791201
	Cylinder, TNT-12		792897
39	Piston	1	792431
	Piston, TNT-12		792807
40	Expander	3	794615
41	Piston Ring – Glass/Moly Filled, Std	3	792420
	Piston Ring – Poly Filled		792421

* Included in Gasket Sets

Standard with TNT-12 Cylinder

Ref	Description	Qty	Part No
61K	O-Ring (Buna-N) Std*	2	792112
	O-Ring (FKM)*		792213
	O-Ring (PTFE)*		792210
	O-Ring (Neoprene)*		792110
	O-Ring (Ethylene Propylene)*		792206
63F	Capscrew – Hex Hd	4	792093
	Capscrew – Stainless Steel #		098392
67C	Thrust Washer	1	792033
69A	Piston Nut	1	793022
	Piston Nut, TNT-12		792808
73C	Lock plug*	2	793028
73D	Pipe Plug	1	908198
78E	Tubing Elbow, Suction Pipe	1	790392



Head Assembly: Models HD082C

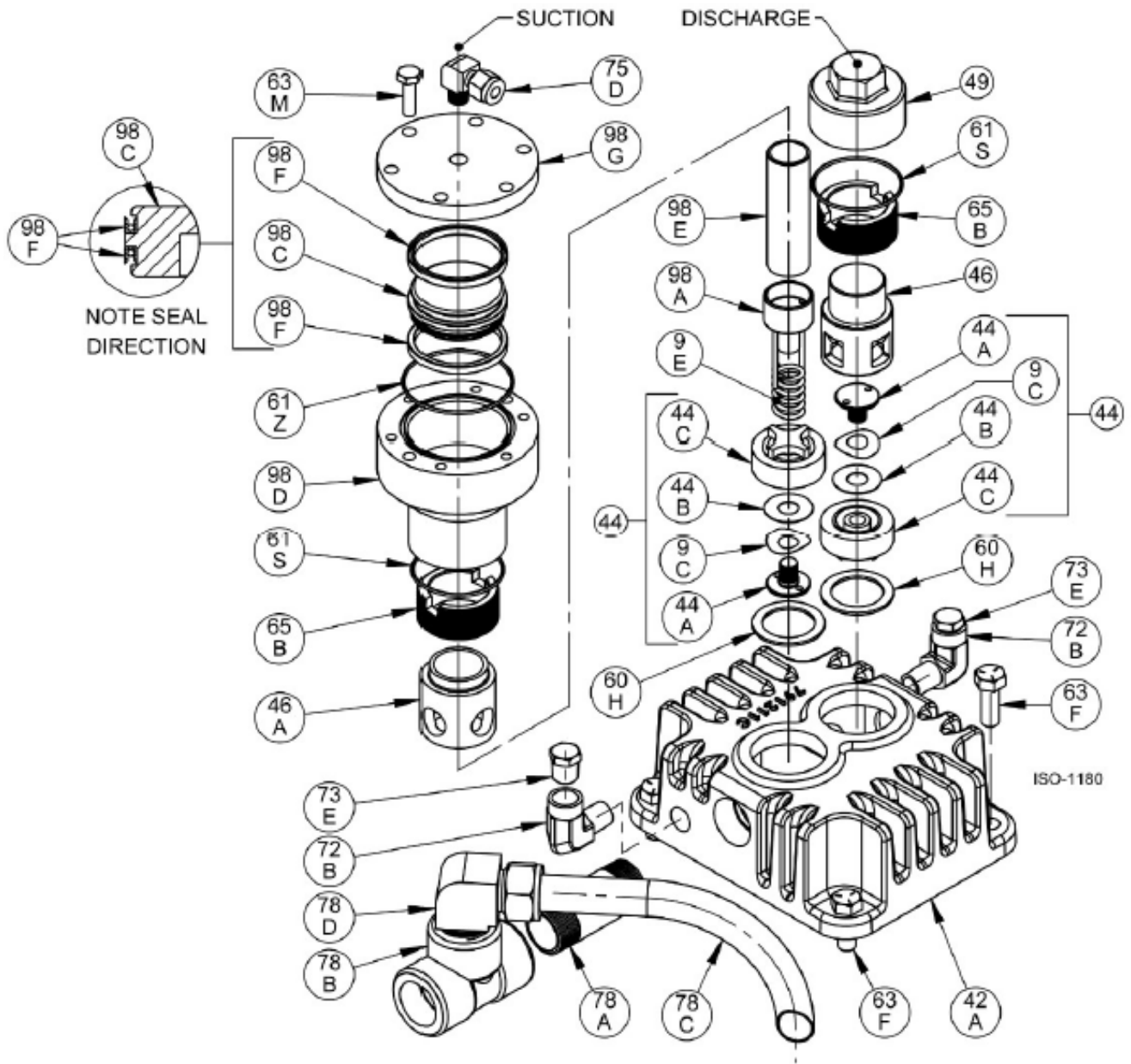
ISO1179

Ref	Description	Qty	Part No
9C	Valve Spring	2	792038
42A	Head	1	791211
	Head, TNT-12		792896
44	Valve Assembly	2	792056
44A	Valve Bumper	2	792054
44B	Valve Disc	2	792037
44C	Valve Body	2	792055
46	Cage	2	792051
	Cage, TNT-12		792803
49	Valve Cap	2	792003
	Valve Cap, TNT-12		792804
60H	Gasket- Valve *	2	792201

* Included in Gasket Sets

Standard with TNT-12 Cylinder

Ref	Description	Qty	Part No
	O-Ring (Buna-N) Std *		792306
	O-Ring (FKM) *		792308
61S	O-Ring (PTFE) *	2	792307
	O-Ring (Neoprene) *		792309
	O-Ring (Ethylene Propylene) *		792310
63F	Capscrew - Hex Hd	4	792093
	Capscrew- Stainless Steel#		098392
65B	Valve Hold Down Screw	2	792002
72B	Elbow	2	790296
73E	Pipe Plug	2	908198
78A	Nipple, Suction Pipe	1	790541
78B	Tee, Suction Pipe	1	790121
78C	Tubing, Suction Pipe	1	791295
78D	Elbow, Suction Pipe	1	790391



Head Assembly with Unloader: HD082C

OVER...

Head Assembly With Unloader: Models HD082C

Ref	Description	Qty	Part No
9C	Valve Spring	2	792038
9E	Unloader Spring	1	793293
42A	Head Head, TNT-12	1	791211 792896
44	Valve Assembly	2	792056
44A	Valve Bumper	2	792054
44B	Valve Disc	2	792037
44C	Valve Body	2	792055
46	Cage Cage, TNT-12	1	792051 792803
46A	Cage	1	792282
49	Valve Cap Valve Cap, TNT-12	1	792003 792804
60H	Gasket - Valve *	2	792201
61S	O-Ring (Buna-N) Std * O-Ring (FKM) * O-Ring (PTFE) * O-Ring (Neoprene) * O-Ring (Ethylene Propylene) *	2	792306 792308 792307 792309 792310

* Included in Gasket Sets

Standard with TNT-12 Cylinder

Ref	Description	Qty	Part No
61Z	O-Ring (Buna-N) Std *	2	792311
	O-Ring (FKM) *		792313
	O-Ring (PTFE) *		792312
	O-Ring (Neoprene) *		792314
	O-Ring (Ethylene Propylene) *		792320
63F	Capscrew - Hex Hd	4	792093
	Capscrew - Stainless Steel#		098392
63M	Capscrew - Hex Hd	6	797093
65B	Valve Hold Down Screw	2	792002
	Valve Hold Down Screw, TNT-12		792806
72B	Elbow	2	790296
73E	Pipe Plug	2	908198
75D	Tube Elbow	1	790355
78A	Nipple, Suction Pipe	1	790541
78B	Tee, Suction Pipe	1	790121
78C	Tubing, Suction Pipe	1	791295
78D	Elbow, Suction Pipe	1	790391
98A	Actuator Assembly	1	792296
98C	Unloader Piston	1	793288
98D	Unloader Body	1	792286
98E	Unloader Plunger	1	793290
98F	Unloader Seal	2	792284
98G	Unloader Cap	1	793287

Suggested Spare Parts for HD082C Compressors:

Part #	Description	Qty./ Unit	Comm. Qty.	Spare Qty.
791400	Gasket Set - Buna-N, Iron	1	1	1
791401	Gasket Set – FKM *			
791402	Gasket Set – PTFE *			
791403	Gasket Set – Neoprene *			
791404	Gasket Set – Ethylene Propylene *			
792056	Suction Valve	1		1
792056	Discharge Valve	1		1
792420	Piston Ring – Glass and Molly Filled	3	3	3
792421	Piston Ring – Poly Filled *			
794615	Piston Ring Expander	3	3	3
793510	Packing Set	2	2	2
794726	Oil Filter	1		1
792014	Wrist Pin	1		1
792302	Wrist Pin Bearing	1	1	1
792012	Conrod Bearing	1	1	1
The following parts would normally be required only for major compressor overhaul.				
792501	Crosshead Assembly	1		1
793142	Bearing Cone	2		2
793126	Bearing Cup	2		2
792301	Conrod Assembly	1		1
791257	Crankshaft Assembly with Bearing Cones	1		
793133	Bearing Adjustment Shim Kit	1		
794760	Oil Pump Repair Kit	1		
791201	Cylinder	1		

Notes:

Notes: