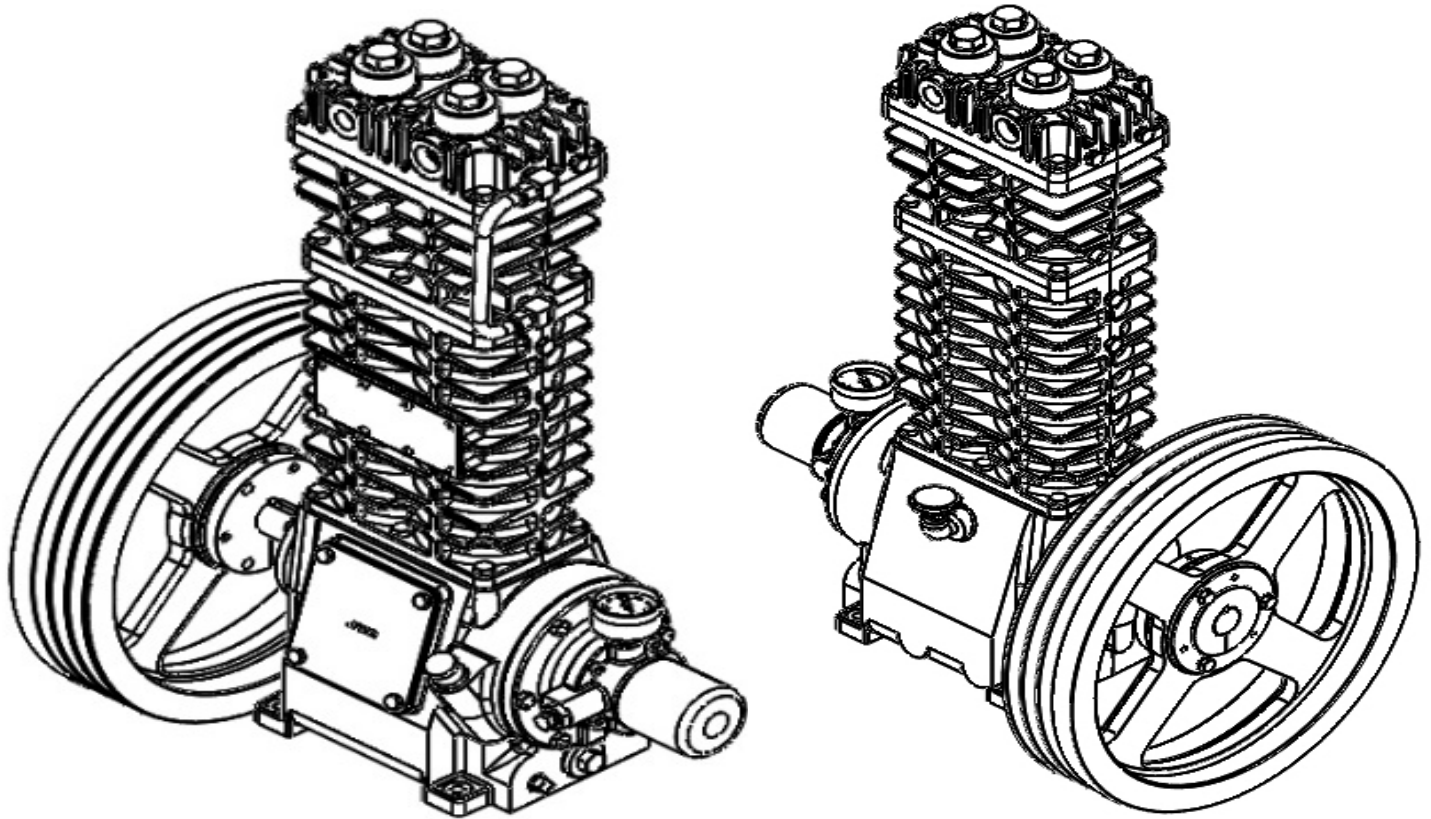


## NGS172C PARTS LIST

(See Instructions 601-A00 for Operation and Maintenance)

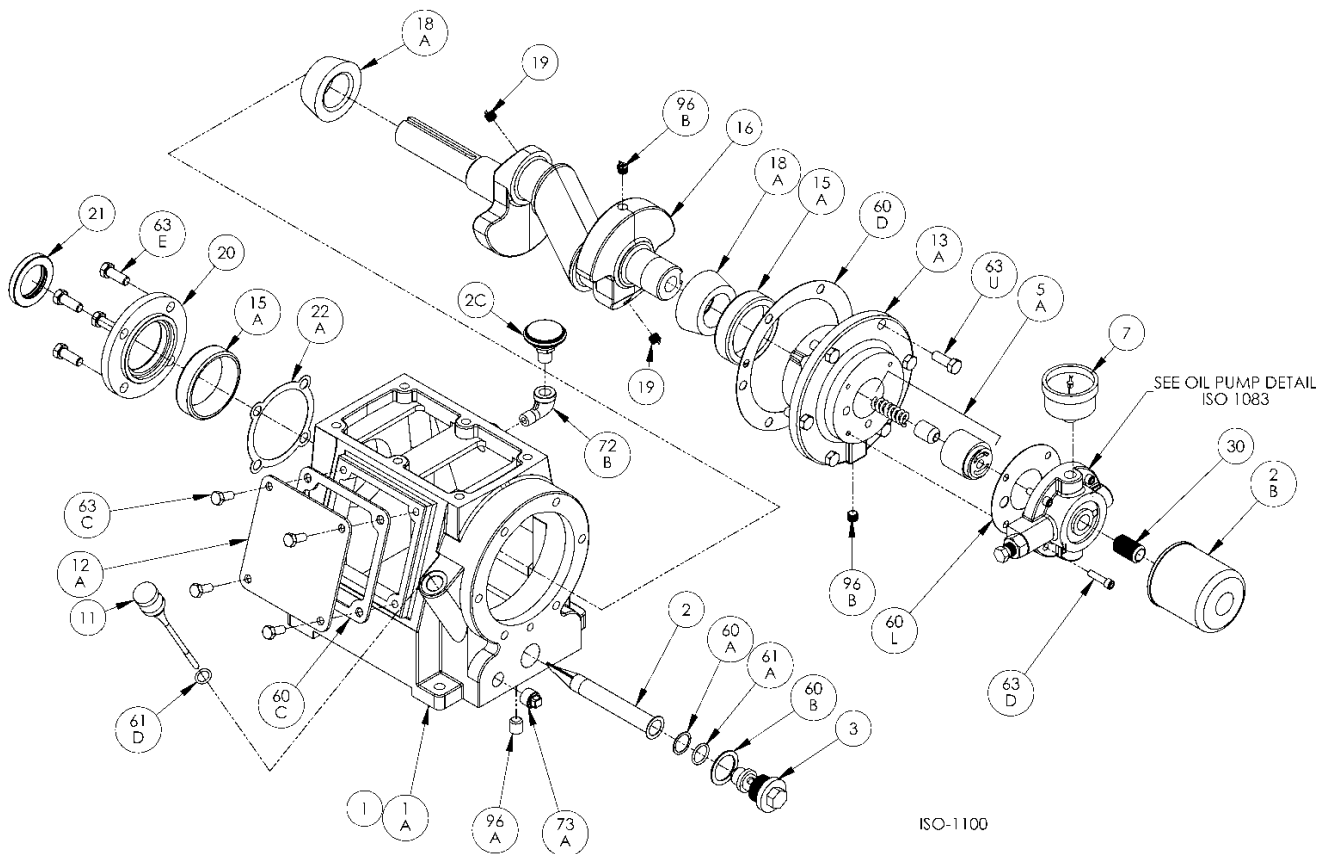
Serial # \_\_\_\_\_

ID# \_\_\_\_\_



### Gasket Set, Repair Kits and Special Tools

|                                  |            |                       |
|----------------------------------|------------|-----------------------|
| Gasket Set                       | FKM & Iron | 792462                |
| Packing Installation Tool        |            | 790536                |
| Valve Hold Down Screw Tool       |            | 798016                |
| Spanner Wrench, 1/4" Adjustable  |            | 790316                |
| Wrench for Valve Hold Down Screw |            | 790535                |
| Piston Tool                      |            | 798002<br>&<br>798020 |
| Tool Kit                         |            | 790199                |

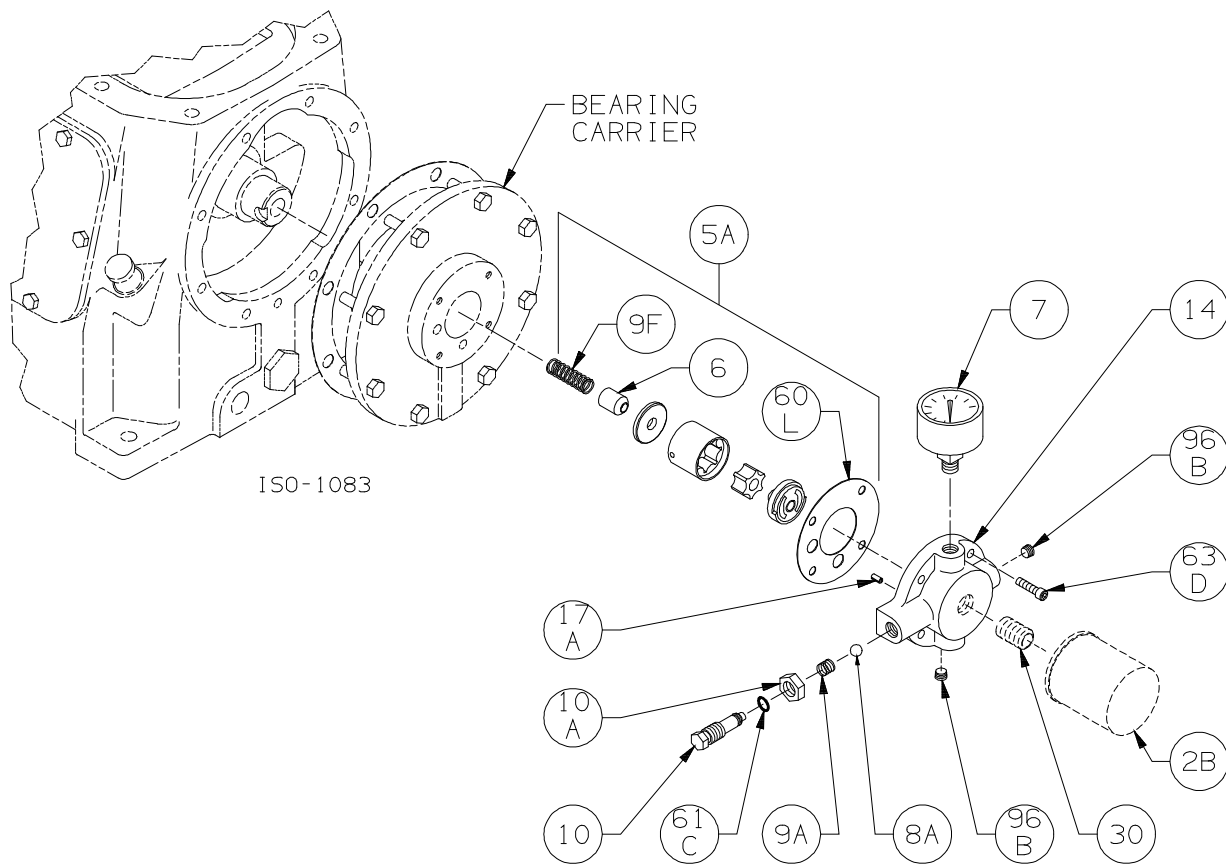


**Crankcase ISO1100**

| Ref | Description                         | Qty | Part No |
|-----|-------------------------------------|-----|---------|
| 1   | Crankcase Assembly                  | 1   | 792100  |
| 1A  | Crankcase                           | 1   | 792102  |
| 2   | Oil Intake Screen                   | 1   | 792135  |
| 2B  | Oil Filter                          | 1   | 794726  |
| 2C  | Breather Filter                     | 1   | 792070  |
| 3   | Oil Screen Plug                     | 1   | 792145  |
| 5A  | Oil Pump Kit                        | 1   | 794760  |
| 7   | Oil Pressure Gauge                  | 1   | 790012  |
| 11  | Oil Bayonet Assembly                | 1   | 792162  |
| 12A | Inspection Plate                    | 1   | 792105  |
| 13A | Bearing Carrier                     | 1   | 792104  |
| 15A | Bearing Cup                         | 2   | 793126  |
| 16  | Crankshaft Assembly (w\ 18A,19,96B) | 1   | 792157  |
| 18A | Bearing Cone                        | 2   | 793142  |
| 19  | Orifice                             | 2   | 792146  |
| 20  | Bearing Cover Plate                 | 1   | 793106  |
| 21  | Oil Seal                            | 1   | 793143  |

| Ref | Description                        | Qty | Part No |
|-----|------------------------------------|-----|---------|
| 22A | Bearing Adjustment Shim Kit        | 1   | 793133  |
| 30  | Oil Filter Fitting                 | 1   | 794725  |
| 60A | Gasket - Oil Screen *              | 1   | 792136  |
| 60B | Gasket - Oil Screen Plug *         | 1   | 792123  |
| 60C | Gasket - Inspection Plate *        | 1   | 792122  |
| 60D | Gasket - Bearing Carrier Assembly* | 1   | 792124  |
| 60L | Gasket - Oil Pump Cover *          | 1   | 794721  |
| 61A | O-Ring - Oil Screen *              | 1   | 792175  |
| 61D | O-Ring - Oil Bayonet *             | 1   | 792174  |
| 63C | Capscrew - Hex Hd                  | 4   | 793116  |
| 63D | Capscrew - Soc Hd                  | 4   | 790559  |
| 63E | Capscrew - Hex Hd                  | 4   | 792093  |
| 63U | Capscrew - Hex Hd                  | 6   | 792093  |
| 72B | Elbow                              | 1   | 790453  |
| 73A | Pipe Plug                          | 1   | 792166  |
| 96A | Pipe Plug                          | 1   | 790488  |
| 96B | Pipe Plug                          | 2   | 790309  |

\* Included in Gasket Sets



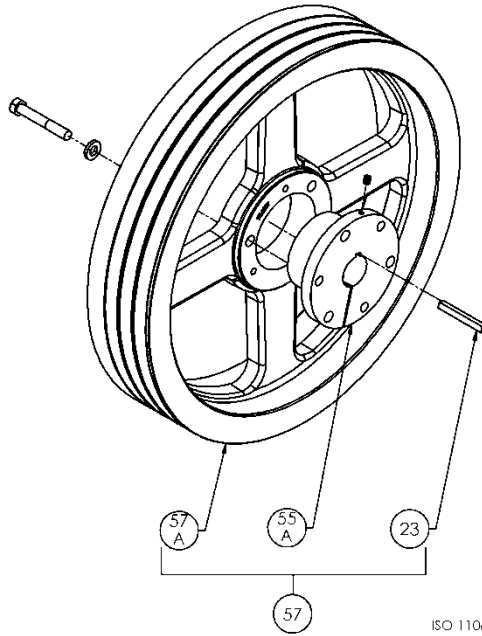
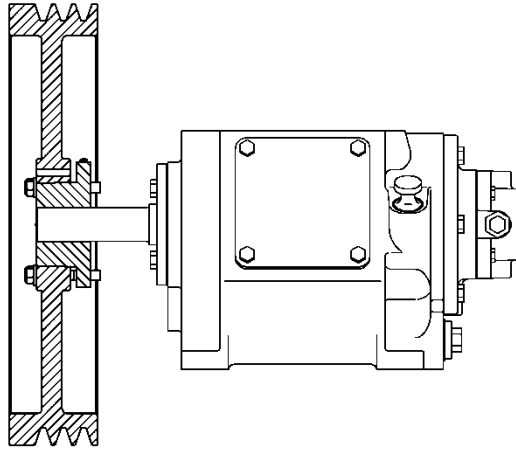
### Oil Pump

| Ref | Description                    | Qty | Part No |
|-----|--------------------------------|-----|---------|
| 2B  | Oil Filter                     | 1   | 794726  |
| 5A  | Oil Pump Kit (with 6, 9F, 60L) |     | 794760  |
| 6   | Oil Pump Cone                  | 1   | 794750  |
| 7   | Oil Pressure Gauge             | 1   | 790012  |
| 8A  | Oil Pressure Adj. Ball         | 1   | 792154  |
| 9A  | Oil Pressure Adj. Spring       | 1   | 792153  |
| 9F  | Oil Pump Spring                | 1   | 794751  |
| 10  | Oil Pressure Adj. Screw        | 1   | 792148  |
| 10A | Locknut                        | 1   | 792152  |

### ISO1083

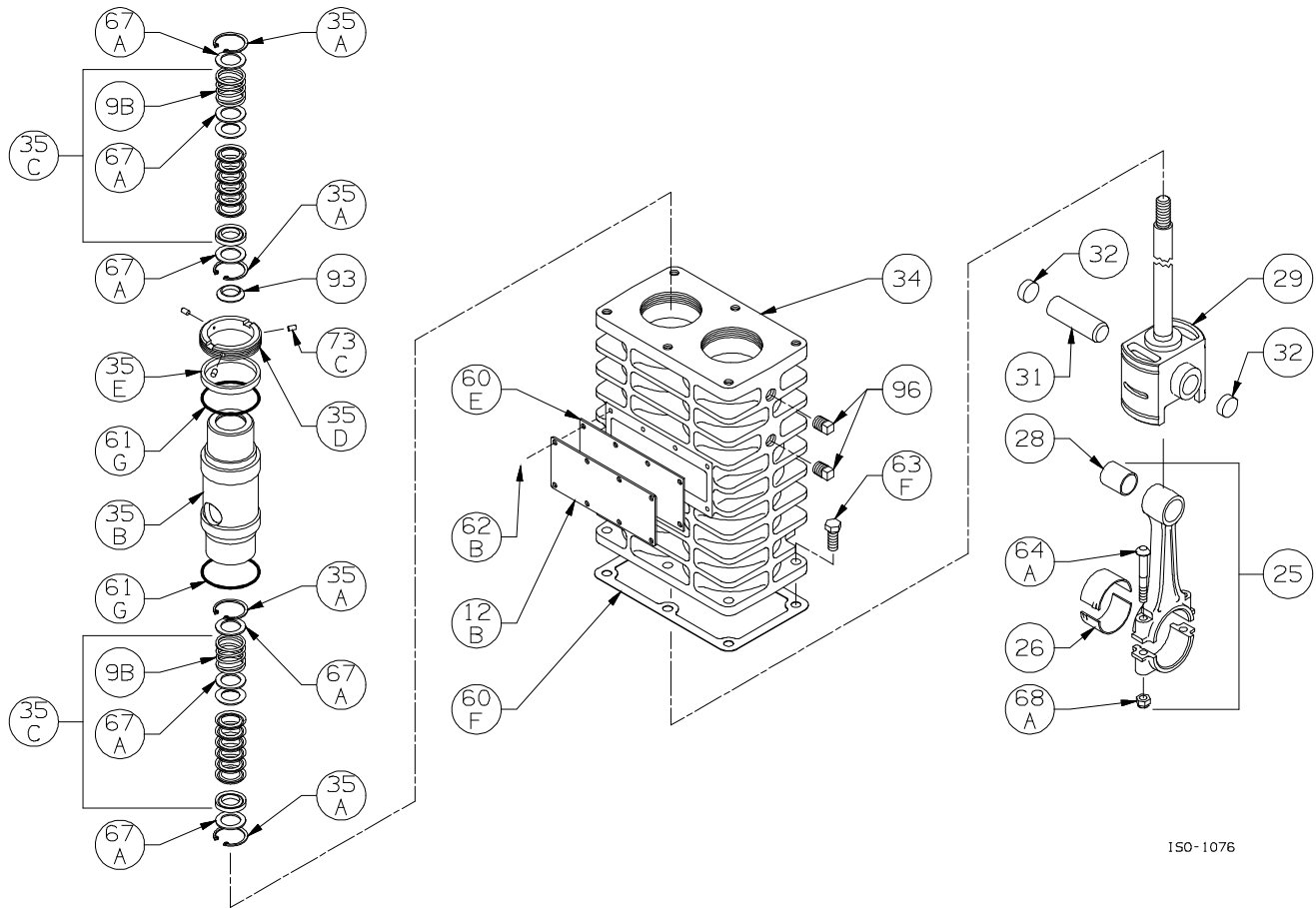
| Ref | Description                                    | Qty | Part No |
|-----|--|-----|---------|
|     | Oil Pump Cover Assembly - For Filter           |     | 794764  |
| 14  | Oil Pump Cover Assembly<br>(includes 17A, 96B) | 1   | 794763  |
| 17A | Roll Pin                                       | 1   | 794753  |
| 30  | Oil Filter Fitting                             | 1   | 794725  |
| 60L | Gasket - Oil Pump Cover *                      | 1   | 794721  |
| 61C | O-Ring - Adjusting Screw *                     | 1   | 792168  |
| 63D | Capscrew - Socket Head                         | 4   | 790559  |
| 96B | Pipe Plug                                      | 2   | 790309  |

\* Included in Gasket Sets



Flywheel

| Ref | Description       | Qty | Part No |
|-----|-------------------|-----|---------|
| 23  | Key               | 1   | 792167  |
| 55A | Hub (SF 1.25")    | 1   | 790563  |
| 57  | Flywheel Assembly | 1   | 792073  |
| 57A | Flywheel          | 1   | 792197  |



150-1076

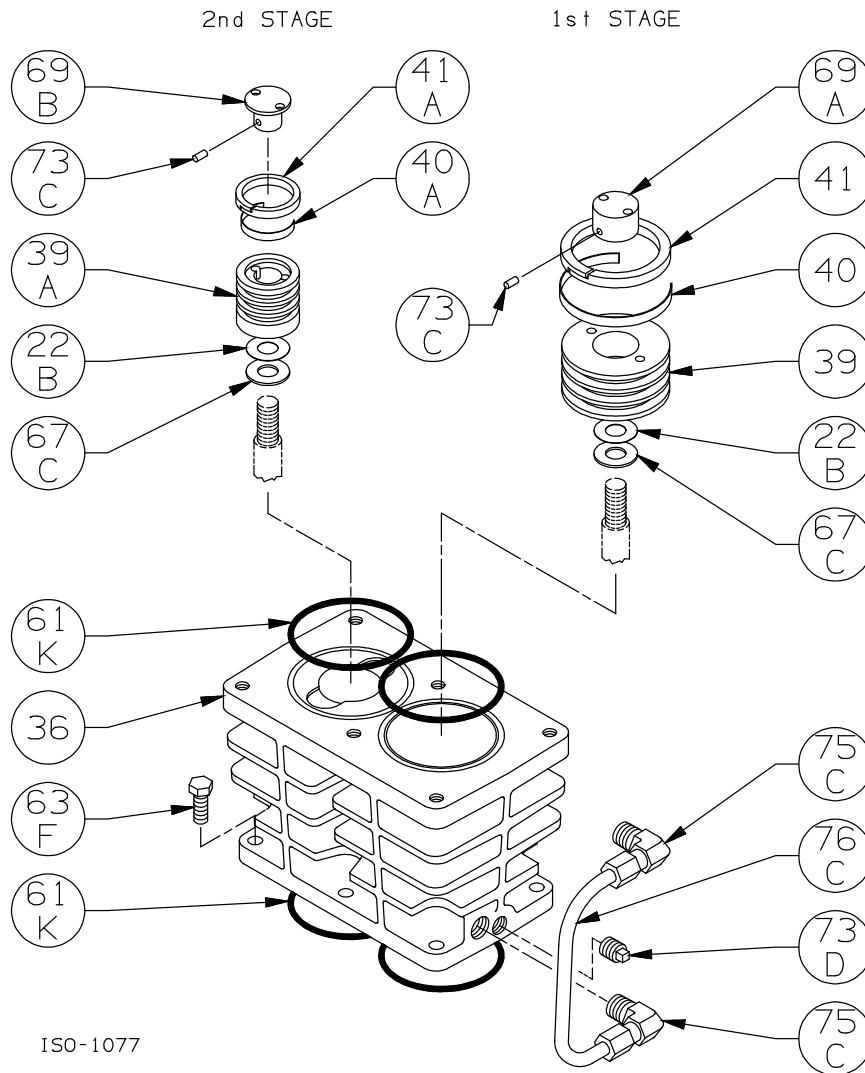
Crosshead

ISO1076

| Ref | Description                       | Qty | Part No |
|-----|-----------------------------------|-----|---------|
| 9B  | Packing Spring – Stainless Steel  | 4   | 793503  |
| 12B | Inspection Plate                  | 1   | 792017  |
| 25  | Connecting Rod Assembly           | 2   | 792301  |
| 26  | Connecting Rod Bearing            | 2   | 792012  |
| 28  | Wrist Pin Bearing                 | 2   | 792302  |
| 29  | Crosshead Assy (top marked '90k') | 2   | 792501  |
| 31  | Wrist Pin                         | 2   | 792014  |
| 32  | Wrist Pin Plug                    | 4   | 792178  |
| 34  | Crosshead Guide                   | 1   | 792455  |
| 35A | Retainer Ring – Stainless Steel   | 8   | 793504  |
| 35B | Packing Box (top marked '1018')   | 2   | 792502  |
| 35C | Packing Set                       | 4   | 793506  |
| 35D | Hold-down Ring                    | 2   | 793220  |

| Ref | Description                      | Qty | Part No |
|-----|----------------------------------|-----|---------|
| 35E | Spacer Ring                      | 2   | 793402  |
| 60E | Gasket - Inspection Plate *      | 1   | 792092  |
| 60F | Gasket - Crankcase *             | 1   | 792121  |
| 61G | O-Ring (FKM) *                   | 4   | 793213  |
| 62B | Machine Screw - Inspection Plate | 8   | 793096  |
| 63F | Capscrew - Stainless Steel       | 6   | 098392  |
| 64A | Connecting Rod Bolt              | 4   | 792006  |
| 67A | Washer - Packing Box             | 12  | 792087  |
| 68A | Connecting Rod Bolt Nut          | 4   | 792005  |
| 73C | Lock Plug *                      | 6   | 792030  |
| 93  | Oil Deflector Ring               | 2   | 793478  |
| 96  | Pipe Plug                        | 4   | 908198  |

\*Included in Gasket Sets



ISO-1077

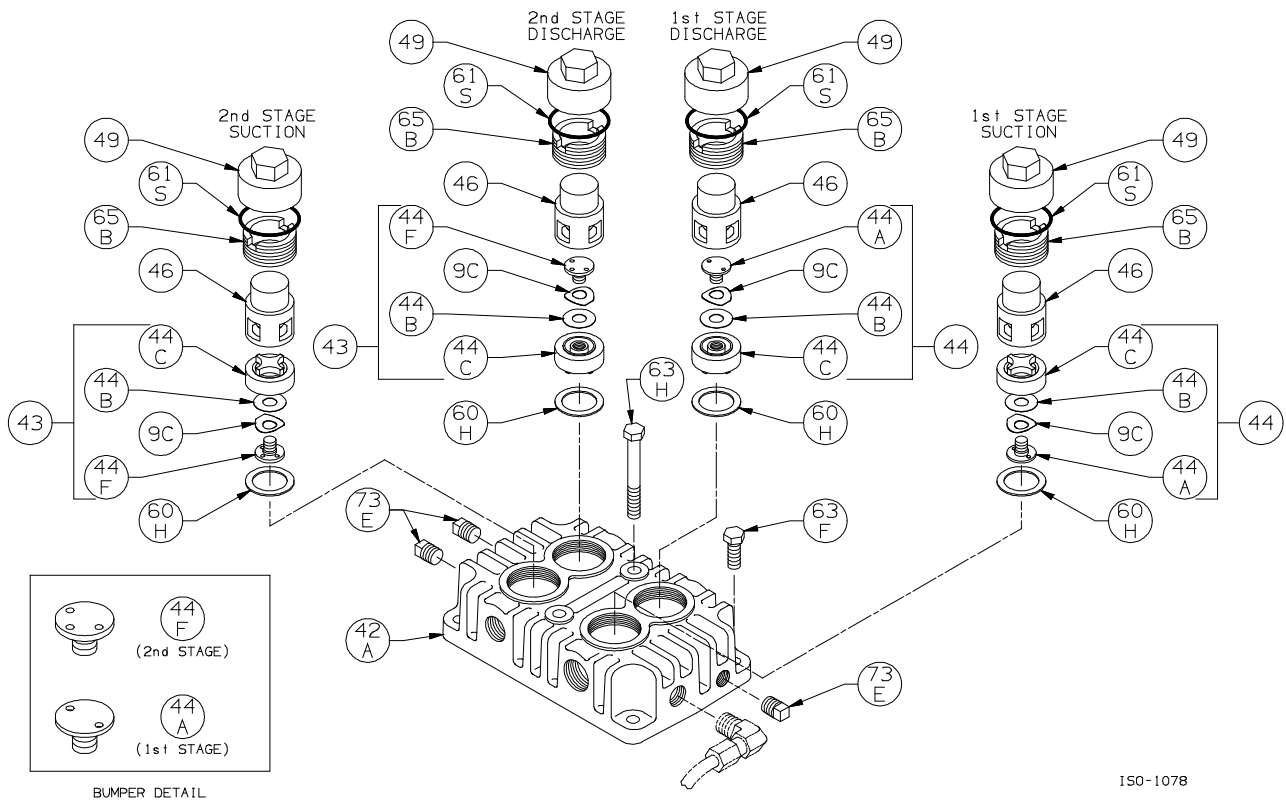
Cylinder

| Ref | Description                     | Qty | Part No |
|-----|---------------------------------|-----|---------|
| 22B | Piston Shim - 0.015             | AR  | 792034  |
|     | Piston Shim - 0.007             |     | 792050  |
| 36  | Cylinder                        | 1   | 792457  |
| 39  | Piston                          | 1   | 792431  |
| 39A | Piston                          | 1   | 792458  |
| 40  | Expander                        | 3   | 794615  |
| 40A | Expander                        | 3   | 792409  |
| 41  | Piston Ring – Glass/Moly Filled | 3   | 792420  |
| 41A | Piston Ring – Glass/Moly Filled | 3   | 792407  |

ISO1077

| Ref | Description                       | Qty | Part No |
|-----|-----------------------------------|-----|---------|
| 61K | O-Ring (FKM) *                    | 4   | 792213  |
| 63F | Capscrew - Hex Hd – Stainless Stl | 6   | 098392  |
| 67C | Thrust Washer                     | 2   | 792033  |
| 69A | Piston Nut                        | 1   | 793022  |
| 69B | Piston Nut                        | 1   | 792459  |
| 73C | Lock Plug *                       | 4   | 793028  |
| 73D | Pipe Plug                         | 1   | 908198  |
| 75C | Tube Elbow                        | 2   | 790552  |
| 76C | Tube                              | 1   | 790553  |

\* Included in Gasket Sets



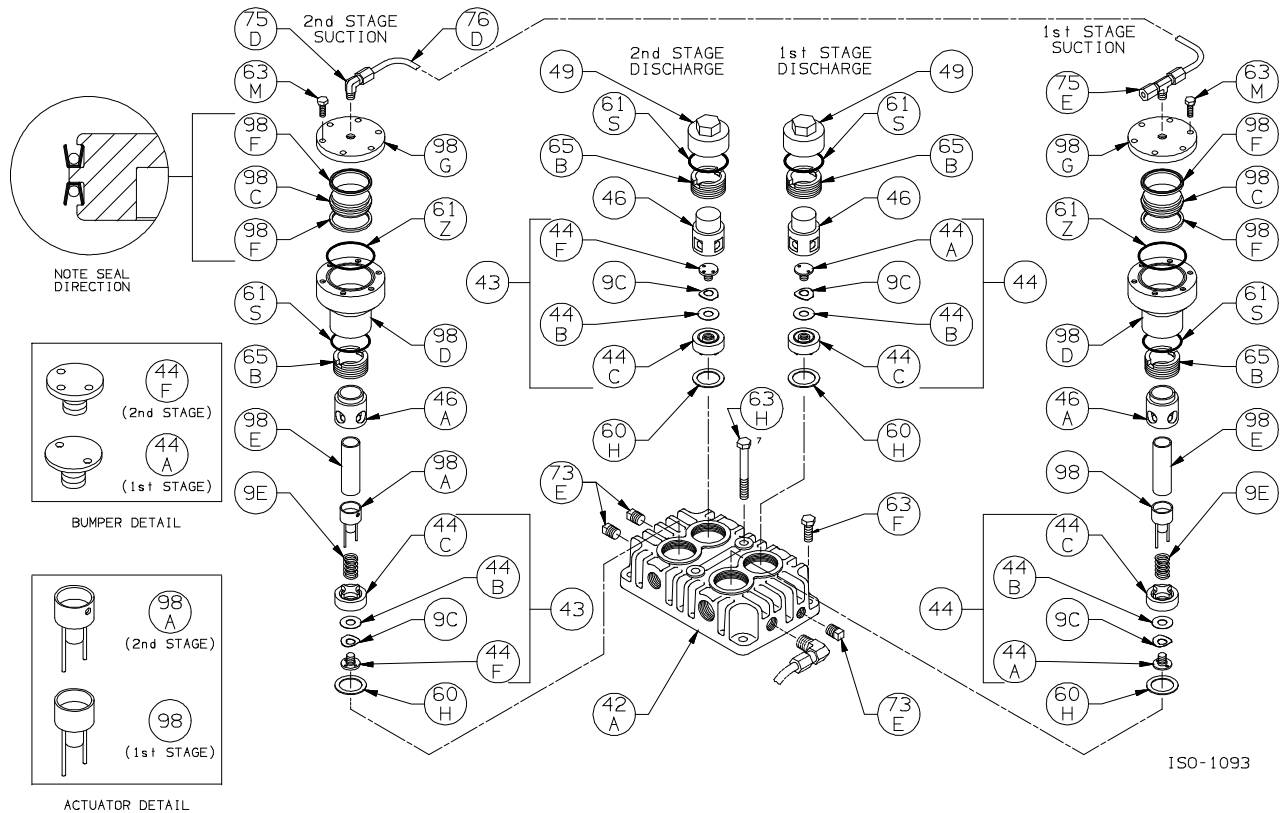
Head

ISO1078

| Ref | Description                | Qty | Part No |
|-----|----------------------------|-----|---------|
| 9C  | Valve Spring               | 4   | 792038  |
| 42A | Head                       | 1   | 792456  |
| 43  | Valve Assembly - 2nd Stage | 2   | 792064  |
| 44  | Valve Assembly - 1st Stage | 2   | 792056  |
| 44A | Valve Bumper - 1st Stage   | 2   | 792054  |
| 44B | Valve Disc                 | 4   | 792037  |
| 44C | Valve Body                 | 4   | 792055  |
| 44F | Valve Bumper - 2nd Stage   | 2   | 792066  |

| Ref | Description                         | Qty | Part No |
|-----|-------------------------------------|-----|---------|
| 46  | Cage                                | 4   | 792051  |
| 49  | Valve Cap                           | 4   | 792003  |
| 60H | Gasket - Valve *                    | 4   | 792201  |
| 61S | O-Ring (FKM) *                      | 4   | 792308  |
| 63F | Capscrew - Hex Hd - Stainless Steel | 4   | 098392  |
| 63H | Capscrew - Hex Hd - Stainless Steel | 2   | 920428  |
| 65B | Valve Holddown Screw                | 4   | 792002  |
| 73E | Pipe Plug                           | 3   | 908198  |

\* Included in Gasket Sets



ISO-1093

Head Assembly with Unloaders:

ISO1093

| Ref | Description                | Qty | Part No |
|-----|----------------------------|-----|---------|
| 9C  | Valve Spring               | 4   | 792038  |
| 9E  | Unloader Spring            | 2   | 793293  |
| 42A | Head                       | 1   | 792456  |
| 43  | Valve Assembly - 2nd Stage | 2   | 792064  |
| 44  | Valve Assembly - 1st Stage | 2   | 792056  |
| 44A | Valve Bumper - 1st Stage   | 2   | 792054  |
| 44B | Valve Disc                 | 4   | 792037  |
| 44C | Valve Body                 | 4   | 792055  |
| 44F | Valve Bumper - 2nd Stage   | 2   | 792066  |
| 46  | Cage                       | 2   | 792051  |
| 46A | Cage                       | 2   | 792282  |
| 49  | Valve Cap                  | 2   | 792003  |
| 60H | Gasket - Valve *           | 4   | 792201  |
| 61S | O-Ring (FKM) *             | 4   | 792308  |
| 61Z | O-Ring (FKM) *             | 2   | 792313  |

| Ref | Description                         | Qty | Part No |
|-----|-------------------------------------|-----|---------|
| 63F | Capscrew - Hex Hd - Stainless Steel | 4   | 098392  |
| 63H | Capscrew - Hex Hd - Stainless Steel | 2   | 920428  |
| 63M | Capscrew - Hex Hd                   | 12  | 797093  |
| 65B | Valve Holddown Screw                | 4   | 792002  |
| 73E | Pipe Plug                           | 3   | 908198  |
| 75D | Tube Elbow                          | 1   | 790355  |
| 75E | Tube Tee                            | 1   | 790356  |
| 76D | Tube                                | 1   | 790192  |
| 98  | Actuator Assembly - 1st Stage       | 1   | 792296  |
| 98A | Actuator Assembly - 2nd Stage       | 1   | 792295  |
| 98C | Unloader Piston                     | 2   | 793288  |
| 98D | Unloader Body                       | 2   | 792286  |
| 98E | Unloader Plunger                    | 2   | 793290  |
| 98F | Unloader Seal                       | 4   | 792284  |
| 98G | Unloader Cap                        | 2   | 793287  |

\* Included in Gasket Sets



Suggested Spare Parts

| Part #   | Description                             | Qty./<br>Unit | Comm.<br>Qty. | Spare<br>Qty. |
|--|---|---------------|---------------|---------------|
| 792462   | Gasket Set - FKM                        | 1             | 1             | 1             |
| 792056   | Stage 1 Suction Valve                   | 1             |               | 1             |
| 792064   | Stage 2 Suction Valve                   | 1             |               |               |
| 792056   | Stage 1 Discharge Valve                 | 1             |               | 1             |
|  |   |               |               |               |
| 792064   | Stage 2 Discharge Valve                 | 1             |               | 1             |
| 792420   | Stage 1 Piston Ring - Glass/Moly Filled | 3             | 3             | 3             |
| 794615   | Stage 1 Piston Ring Expander            | 3             | 3             | 3             |
| 792407   | Stage 2 Piston Ring - Glass/Moly Filled | 3             |               | 3             |
| 792409   | Stage 2 Piston Ring Expander            | 3             |               | 3             |
| 793506   | Packing Set                             | 4             | 4             | 4             |
| 794726   | Oil Filter                              | 1             |               | 6             |
| 792014   | Wrist Pin                               | 2             |               | 2             |
| 792302   | Wrist Pin Bearing                       | 2             | 2             | 2             |
| 792012   | Conrod Bearing                          | 2             | 2             | 2             |
| The following parts would normally be required only for major compressor overhaul. |   |               |               |               |
| 793142   | Bearing Cone                            | 2             |               | 2             |
| 793126   | Bearing Cup                             | 2             |               | 2             |
| 792501   | Crosshead Assembly                      | 2             |               | 1             |
| 792301   | Conrod Assembly                         | 2             |               | 1             |
| 794760   | Oil Pump Repair Kit                     | 1             |               |               |
| 792157   | Crankshaft Assembly                     | 1             |               |               |
| 793133   | Bearing Adjustment Shim Kit             | 1             |               |               |
| 792457   | Cylinder                                | 1             |               |               |

**Notes:**

**Notes:**

**Notes:**