



NG372C PARTS LIST

(See Instructions 601-A00 for Operation and Maintenance)

Serial # _____

ID# _____

Suggested Spare Parts

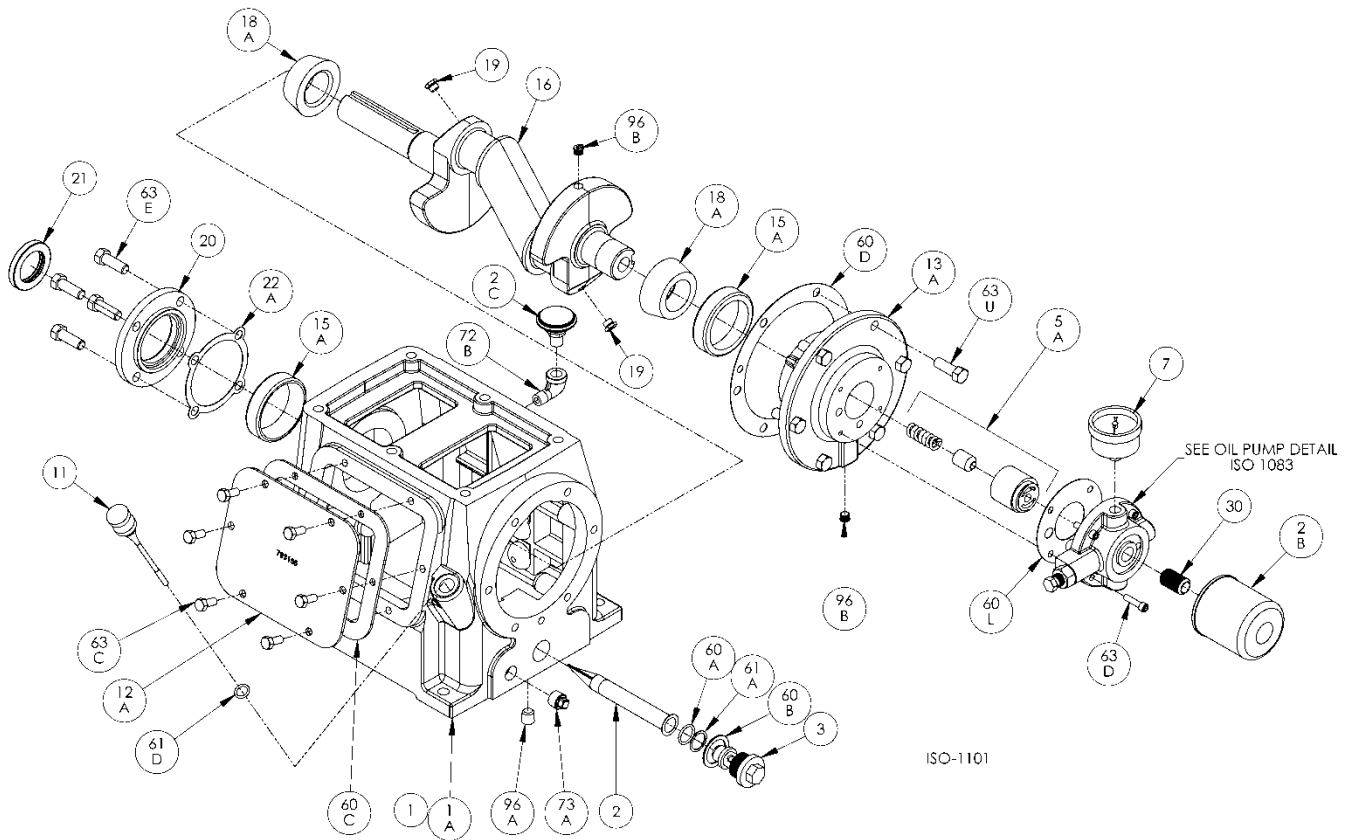
Part #	Description	Qty./Unit	Comm. Qty.	Spare Qty.
793697	Gasket Set - FKM	1	1	1
793660	St1 Suction Valve Repair Kit - PEEK	1		1
793630	St1 Suction Valve Repair Kit - Stainless Steel *			
793460	St2 Suction Valve Repair Kit - PEEK	1		
793440	St2 Suction Valve Repair Kit - Stainless Steel *			
793660	St1 Discharge Valve Repair Kit - PEEK	1		1
793650	St1 Discharge Valve Repair Kit - Stainless Steel *			
793460	St2 Discharge Valve Repair Kit - PEEK	1		1
793448	St2 Discharge Valve Repair Kit - Stainless Steel *			
792284	Unloader Seal *	4		4
793610	St1 Piston Ring - Glass/Moly Filled	3	3	3
793614	St1 Piston Ring Expander	3	3	3
793611	St2 Piston Ring - Standard	3		3
793615	St2 Piston Ring Expander	3		3
793510	Packing Set	4	4	4
794726	Oil Filter	1		6
793307	Wrist Pin	2		2
793305	Wrist Pin Bearing	2	2	2
793002	Conrod Bearing	2	2	2
The following parts would normally be required only for major compressor overhaul.				
793142	Bearing Cone	2		2
793126	Bearing Cup	2		2
793501	Crosshead Assembly	2		1
793309	Conrod Assembly	2		1
794760	Oil Pump Repair Kit	1		
793157	Crankshaft Assembly	1		
793133	Bearing Adjustment Shim Kit	1		
793601	Cylinder	1		

* Optional Equipment on New Compressors

** FKM O-rings used currently are interchangeable with the Buna-N O-rings supplied previously.

Special Tools

790536	Packing Installation Tool
790316	Spanner Wrench, 1/4" Adjustable
798016	Tool for Valve Holdown Screw
790535	Wrench for Valve Holdown Screw
798009	Piston Tool
798010	Piston Tool
790199	Tool Kit



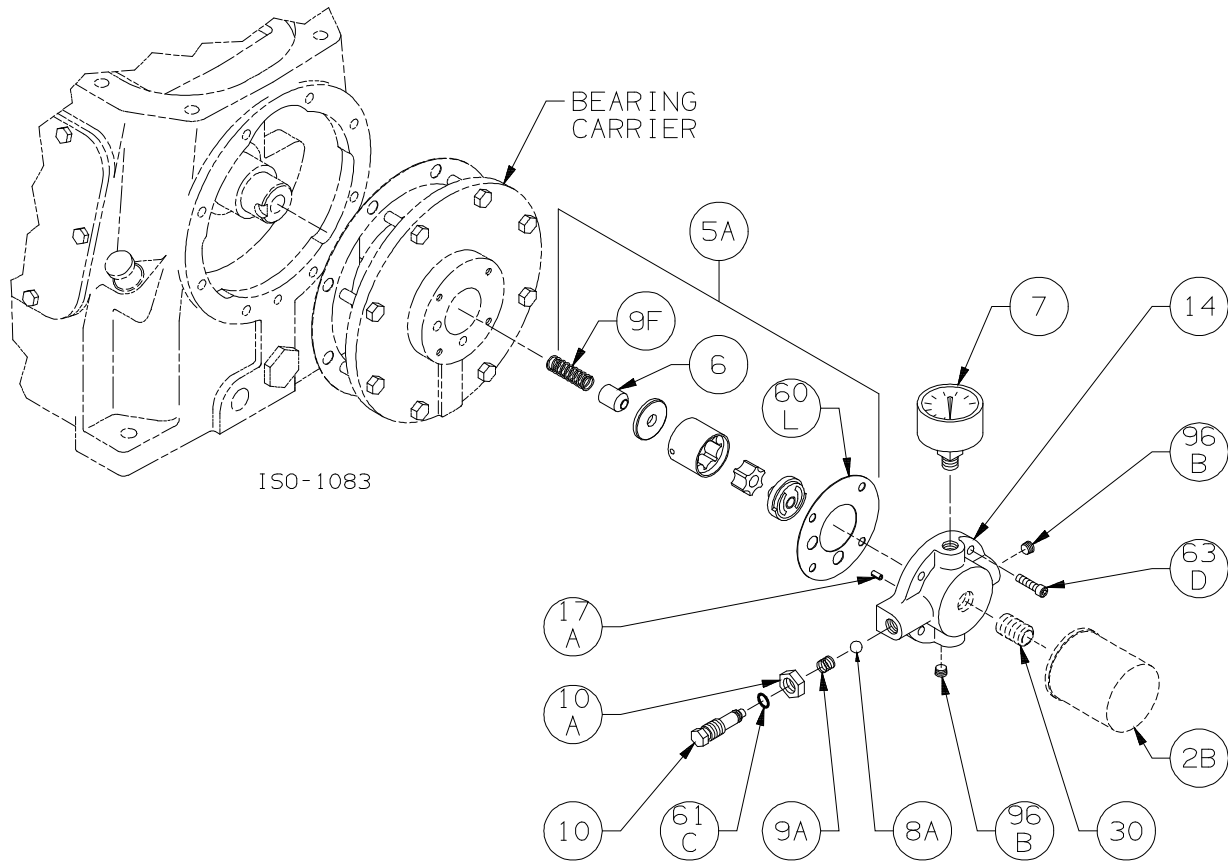
ISO-1101

Crankcase ISO1101

Ref	Description	Qty	Part No
1	Crankcase Assembly - Oil Filter	1	793100
1A	Crankcase	1	793102
2	Oil Intake Screen	1	792135
2B	Oil Filter	1	794726
2C	Breather Filter	1	792070
3	Oil Screen Plug	1	792145
5A	Oil Pump Kit	1	794760
7	Oil Pressure Gauge	1	790012
11	Oil Bayonet Assembly	1	792162
12A	Inspection Plate	1	793105
13A	Bearing Carrier	1	793104
15A	Bearing Cup	2	793126
16	Crankshaft Assembly (w\ 18A,19,96B)	1	793157
18A	Bearing Cone	2	793142
19	Orifice	2	792146
20	Bearing Cover Plate	1	793106
21	Oil Seal	1	793143

Ref	Description	Qty	Part No
22A	Bearing Adjustment Shim Kit	1	793133
30	Oil Filter Fitting	1	794725
60A	Gasket - Oil Screen *	1	792136
60B	Gasket - Oil Screen Plug *	1	792123
60C	Gasket - Inspection Plate *	1	793122
60D	Gasket - Bearing Carrier Assy*	1	793124
60L	Gasket - Oil Pump Cover *	1	794721
61A	O-Ring - Oil Screen *	1	792175
61D	O-Ring - Oil Bayonet *	1	792174
63C	Capscrew - Hex Hd	6	793116
63D	Capscrew - Soc Hd	4	790559
63E	Capscrew - Hex Hd	4	792093
63U	Capscrew - Hex Hd	6	792093
72B	Elbow	1	790453
73A	Pipe Plug	1	792166
96A	Pipe Plug	1	790488
96B	Pipe Plug	2	790309

* Included in Gasket Sets



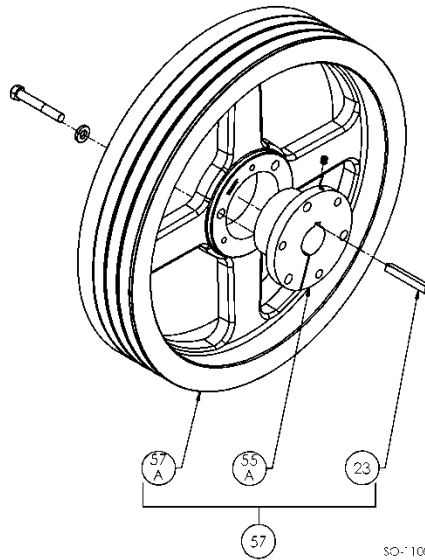
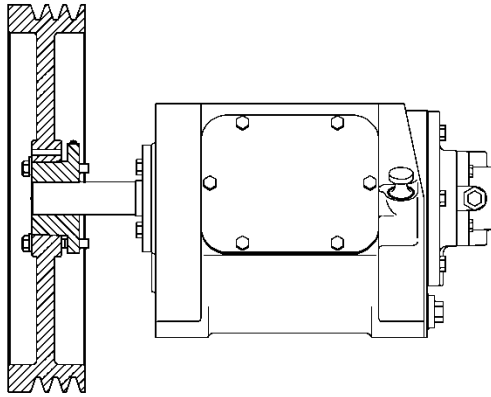
Oil Pump

Ref	Description	Qty	Part No
2B	Oil Filter	1	794726
5A	Oil Pump Kit (with 6, 9F, 60L)	1	794760
6	Oil Pump Cone	1	794750
7	Oil Pressure Gauge	1	790012
8A	Oil Pressure Adj. Ball	1	792154
9A	Oil Pressure Adj. Spring	1	792153
9F	Oil Pump Spring	1	794751
10	Oil Pressure Adj. Screw	1	792148
10A	Locknut	1	792152

ISO1083

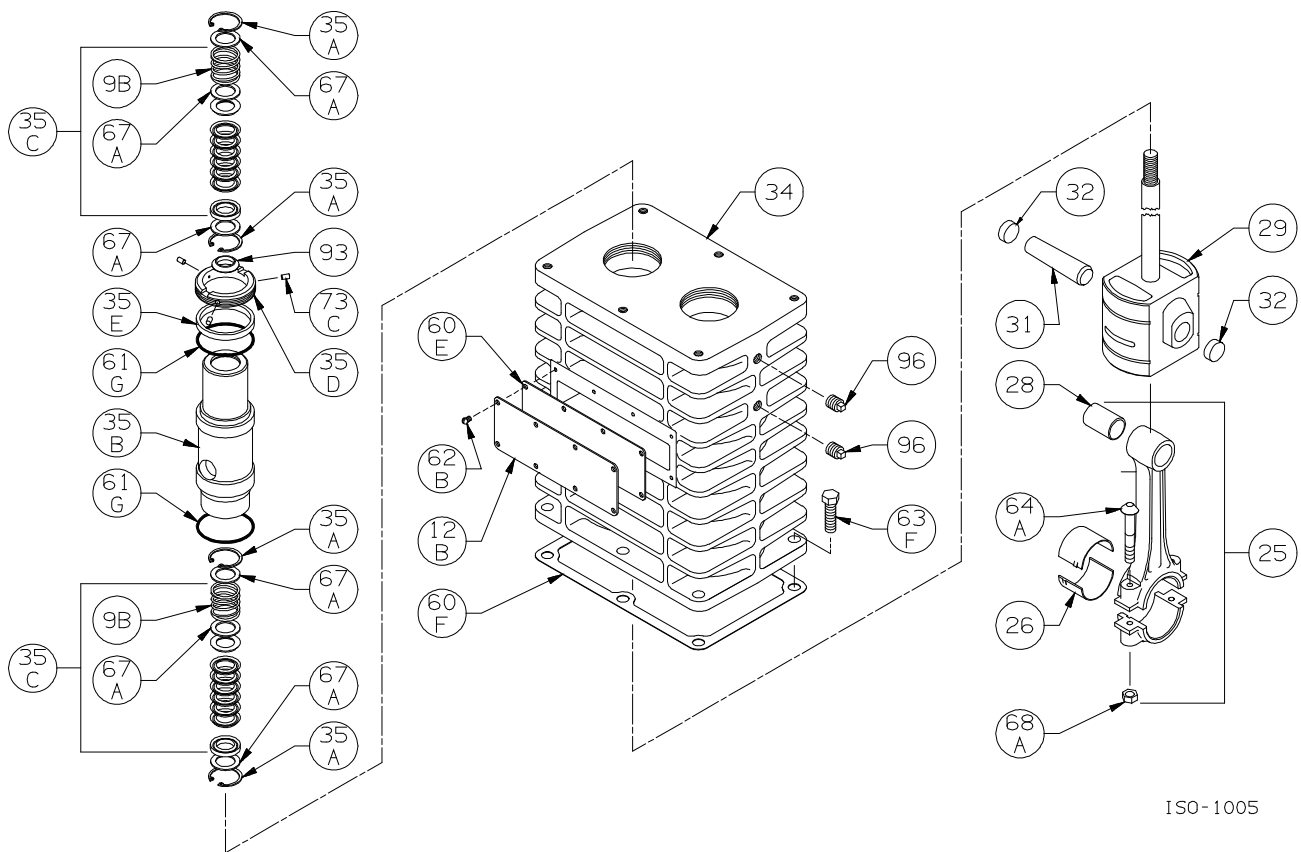
Ref	Description	Qty	Part No
	Oil Pump Cover Assembly - For Filter		794764
14	Oil Pump Cover Assembly (includes 17A, 96B)	1	794763
17A	Roll Pin	1	794753
30	Oil Filter Fitting	1	794725
60L	Gasket - Oil Pump Cover *	1	794721
61C	O-Ring - Adjusting Screw *	1	792168
63D	Capscrew - Socket Head	4	790559
96B	Pipe Plug	2	790309

* Included in Gasket Sets



Flywheel

Ref	Description	Qty	Part No
23	Key	1	793167
55A	Hub (SF 1.375")	1	790143
57	Flywheel Assembly	1	793047
57A	Flywheel	1	792197



ISO-1005

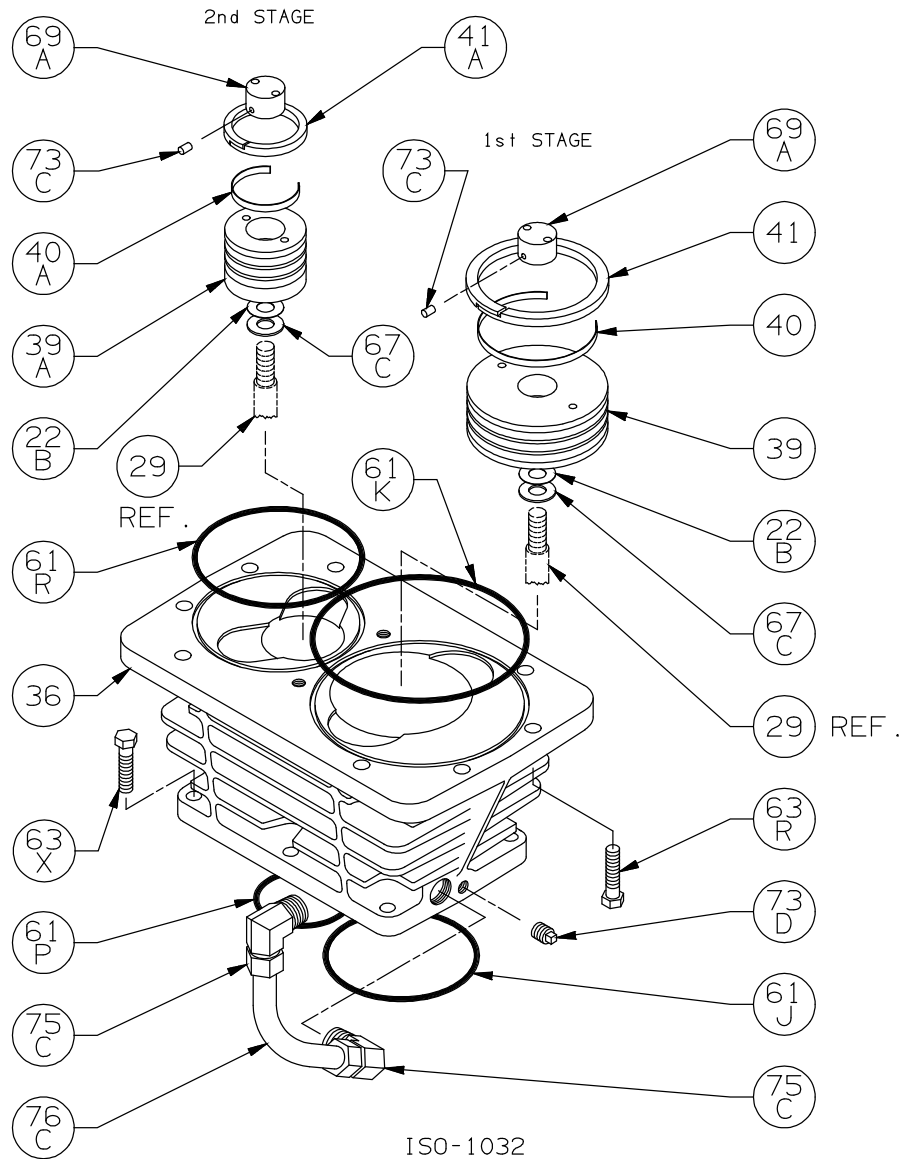
Crosshead

ISO1005

Ref	Description	Qty	Part No
9B	Packing Spring	4	792077
12B	Inspection Plate	1	793093
25	Connecting Rod Assembly	2	793309
26	Connecting Rod Bearing	2	793002
28	Wrist Pin Roller Bearing	2	793305
29	Crosshead Assembly	2	793501
31	Wrist Pin	2	793307
32	Wrist Pin Plug	4	793308
34	Crosshead Guide	1	793455
35A	Retainer Ring	8	793404
35B	Packing Box	2	793502
35C	Packing Set	4	793510
35D	Hold-down Ring	2	793220

Ref	Description	Qty	Part No
35E	Spacer Ring	2	793402
60E	Gasket - Inspection Plate *	1	793092
60F	Gasket - Crankcase *	1	793121
61G	O-Ring (FKM) *	4	793213
62B	Machine Screw - Inspection Plate	8	793096
63F	Capscrew - Hex Hd	6	793094
64A	Connecting Rod Bolt	4	793006
67A	Washer - Packing Box	12	792087
68A	Connecting Rod Bolt Nut	4	793007
73C	Lock Plug *	6	792030
93	Oil Deflector Ring	2	793478
96	Pipe Plug	4	908198

*Included in Gasket Sets



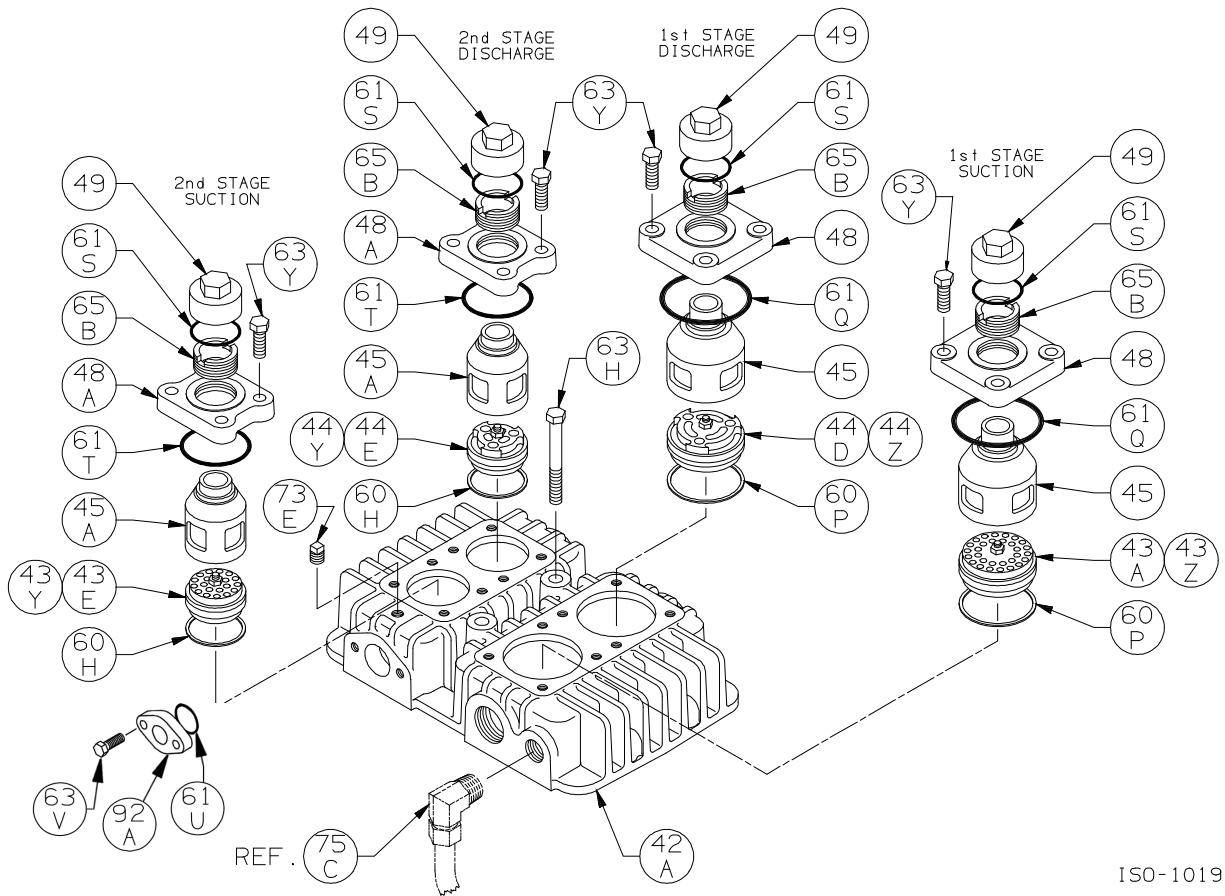
Cylinder

ISO1032

Ref	Description	Qty	Part No
22B	Piston Shim - 0.015	AR	792034
	Piston Shim - 0.007		792050
36	Cylinder	1	793601
39	Piston	1	793621
39A	Piston	1	793622
40	Expander	3	793614
40A	Expander	3	793615
41	Piston Ring – Glass/Moly Filled	3	793610
41A	Piston Ring – Glass/Moly Filled	3	793611
61J	O-Ring (FKM) *	1	794214
61K	O-Ring (FKM) *	1	793633

Ref	Description	Qty	Part No
61P	O-Ring (FKM) *	1	794213
61R	O-Ring (FKM) *	1	793643
63R	Capscrew - Hex Hd	8	794097
63X	Capscrew - Hex Hd	6	794096
67C	Thrust Washer	2	792033
69A	Piston Nut	2	793022
73C	Lock Plug *	4	793028
73D	Pipe Plug	1	908198
75C	Tube Elbow	2	790393
76C	Tube	1	790394

* Included in Gasket Sets



ISO-1019

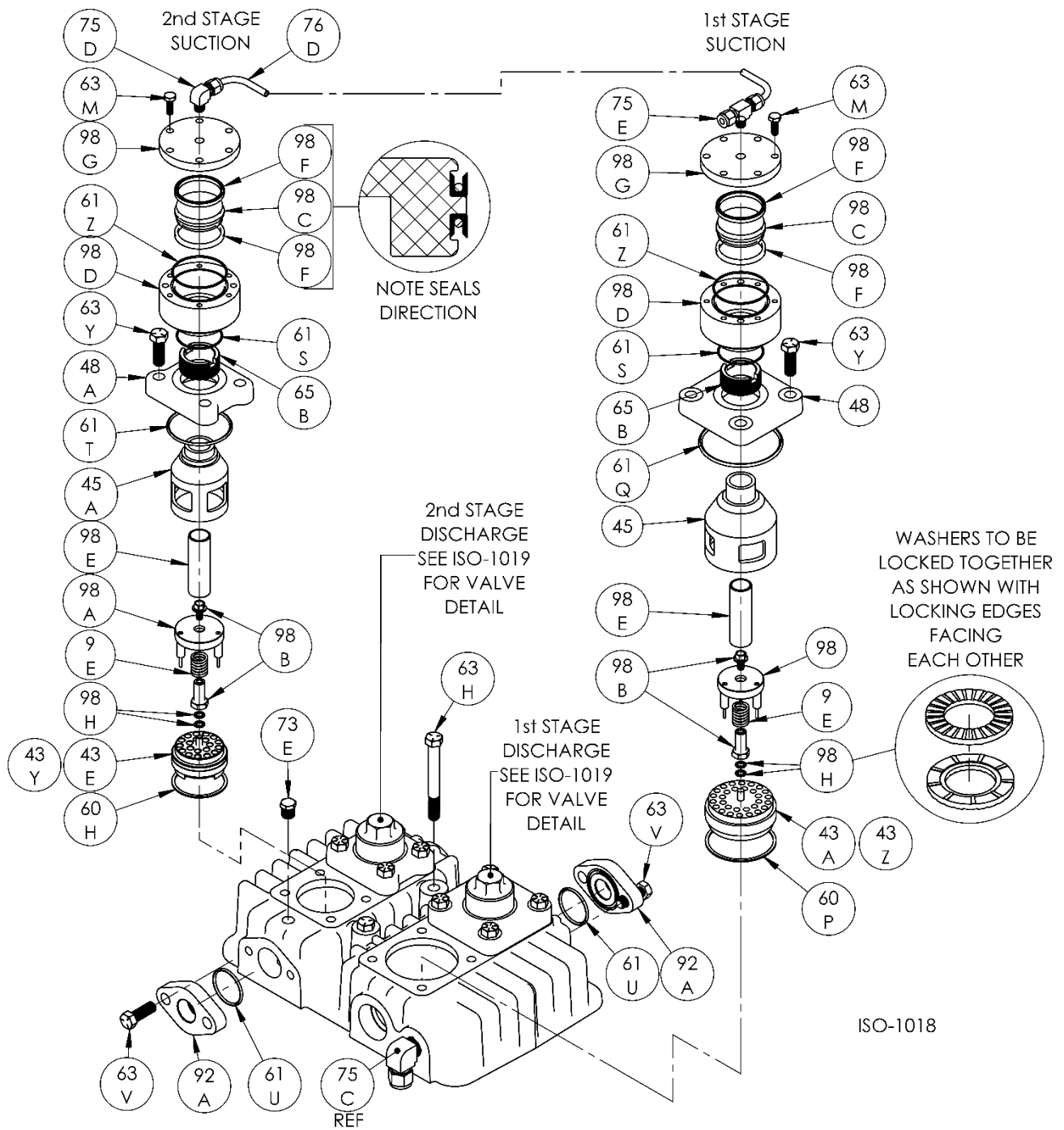
Head

ISO1019

Ref	Description	Qty	Part No
42A	Head	1	793600
43A	Suction Valve Assembly Suction Valve Assy, Stainless Steel	1	793659 793629
43E	Suction Valve Assembly Suction Valve Assy, Stainless Steel	1	793459 793439
43Y	Valve Repair Kit - For 793459/793479 Valve Repair Kit - For 793439		793460 793440
43Z	Valve Repair Kit - For 793659/793679 Valve Repair Kit - For 793629		793660 793630
44D	Discharge Valve Assembly Discharge Valve Assy, Stainless Steel	1	793679 793649
44E	Discharge Valve Assembly Discharge Valve Assy, Stainless Steel	1	793479 793449
44Y	Valve Repair Kit - For 793459/793479 Valve Repair Kit - For 793449		793460 793448
44Z	Valve Repair Kit - For 793659/793679 Valve Repair Kit - For 793649		793660 793650

Ref	Description	Qty	Part No
45	Cage	2	793620
45A	Cage	2	793420
48	Valve Cover Plate	2	794284
48A	Valve Cover Plate	2	793284
49	Valve Cap	4	792003
60H	Gasket - Valve *	2	793202
60P	Gasket - Valve *	2	794198
61Q	O-Ring (FKM) *	2	792213
61S	O-Ring (FKM) *	4	792308
61T	O-Ring (FKM) *	2	793214
61U	O-Ring (PTFE) Intercooler Flange *	2	793626
63H	Capscrew - Hex Hd	2	793115
63V	Capscrew - Intercooler Flange	4	793094
63Y	Capscrew - Hex Hd	16	793094
65B	Valve Holddown Screw	4	792002
73E	Pipe Plug	1	908198
92A	Intercooler Flange - 1" NPT	2	793602

* Included in Gasket Sets



Head Assembly with Unloaders:

Head Assembly with Unloaders:

ISO1018

Ref	Description	Qty	Part No
9E	Unloader Spring	2	793293
42A	Head	1	793600
43A	Suction Valve Assembly Suction Valve Assy, Stainless Steel	1	793659 793629
43E	Suction Valve Assembly Suction Valve Assy, Stainless Steel	1	793459 793439
43Y	Valve Repair Kit - For 793459/793479 Valve Repair Kit - For 793439		793460 793440
43Z	Valve Repair Kit - For 793659/793679 Valve Repair Kit - For 793629		793660 793630
44D	Discharge Valve Assembly Discharge Valve Assy, Stainless Stl	1	793679 793649
44E	Discharge Valve Assembly Discharge Valve Assy, Stainless Stl	1	793479 793449
44Y	Valve Repair Kit - For 793459/793479 Valve Repair Kit - For 793449		793460 793448
44Z	Valve Repair Kit - For 793659/793679 Valve Repair Kit - For 793649		793660 793650
45	Cage	2	793620
45A	Cage	2	793420
48	Valve Cover Plate	2	794284
48A	Valve Cover Plate	2	793284
49	Valve Cap	2	792003
60H	Gasket - Valve *	2	793202
60P	Gasket - Valve *	2	794198
61Q	O-Ring (FKM) *	2	792213

Ref	Description	Qty	Part No
61S	O-Ring (FKM) *	4	792308
61T	O-Ring (FKM) *	2	793214
61U	O-Ring (PTFE) Intercooler Flange*	2	793626
61Z	O-Ring (FKM) *	2	792313
63H	Capscrew - Hex Hd	2	793115
63M	Capscrew - Hex Hd	12	797093
63V	Capscrew - Intercooler Flange	4	793094
63Y	Capscrew - Hex Hd	16	793094
65B	Valve Holddown Screw	4	792002
73E	Pipe Plug	1	908198
75D	Tube Elbow	1	790355
75E	Tube Tee	1	790356
76D	Tube	1	790197
92A	Intercooler Flange - 1" NPT	2	793602
98	Actuator Assembly - 1st Stage Actuator Assy - 1st St, for SS Valve	1	794296 794298
98A	Actuator Assembly - 2nd Stage Actuator Assy - 2nd St, for SS Vlv	1	793296 793298
98B	Unloader Post w/bolt Unloader Post w/bolt, for SS Valve	2	793291 794291
98C	Unloader Piston	2	793288
98D	Unloader Body	2	793286
98E	Unloader Plunger	2	793290
98F	Unloader Seal	4	792284
98G	Unloader Cap	2	793287
98H	Lockwasher (2 piece)	2	793473

* Included in Gasket Sets

Notes:

Notes:

Notes: