



LB942B PARTS LIST

(See Instructions 502-D00 for Operation and Maintenance)

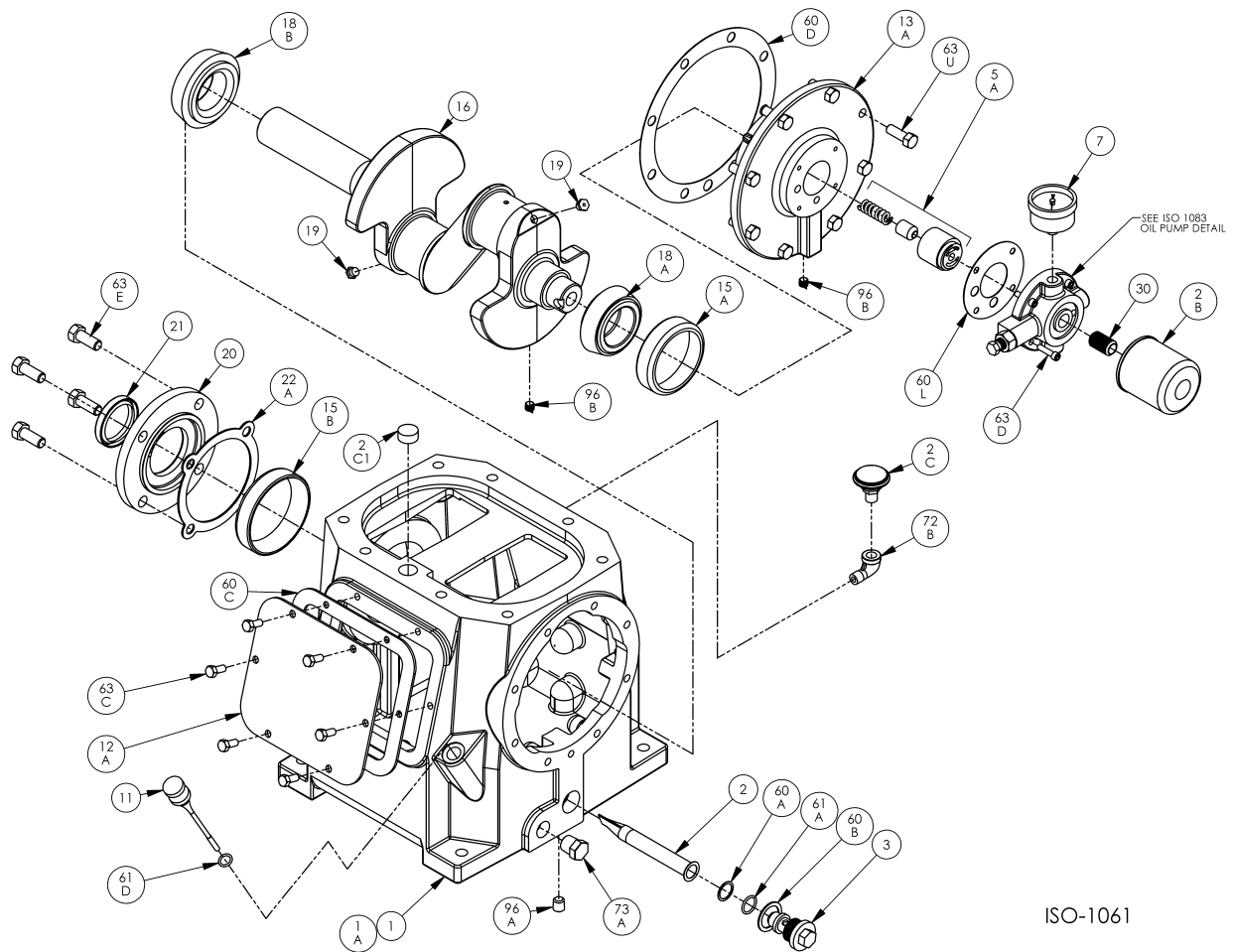
Serial # _____

ID# _____

| Gasket Set, Repair Kits and Special Tools | | |
|--|---------------|--------|
| Gasket Set | Buna-N & Iron | 794791 |
| Top End Repair Kit | | 794243 |
| Includes Piston Rings & Expanders, Packing Sets, Valve Repair Kits, Gaskets, Oil Filter, & O-rings | | |
| Intermediate Repair Kit | | 794244 |
| Includes Top End Kit plus Wrist Pins & Bearings, Connecting Rod Bearings, and Crossheads | | |
| Packing Installation Tool | | 790540 |
| Spanner Wrench, 1/4" Adjustable | | 790316 |
| Wrench for Valve Hold Down Screw | | 790535 |

| Content Needed For Complete Parts List | |
|---|-----|
| Cover Page | 1 |
| Crankcase | 2 |
| Oil Pump | 3 |
| Flywheel | 4 |
| Crosshead | 5 |
| Packing | 6-7 |
| Cylinder | 8 |

Notes:



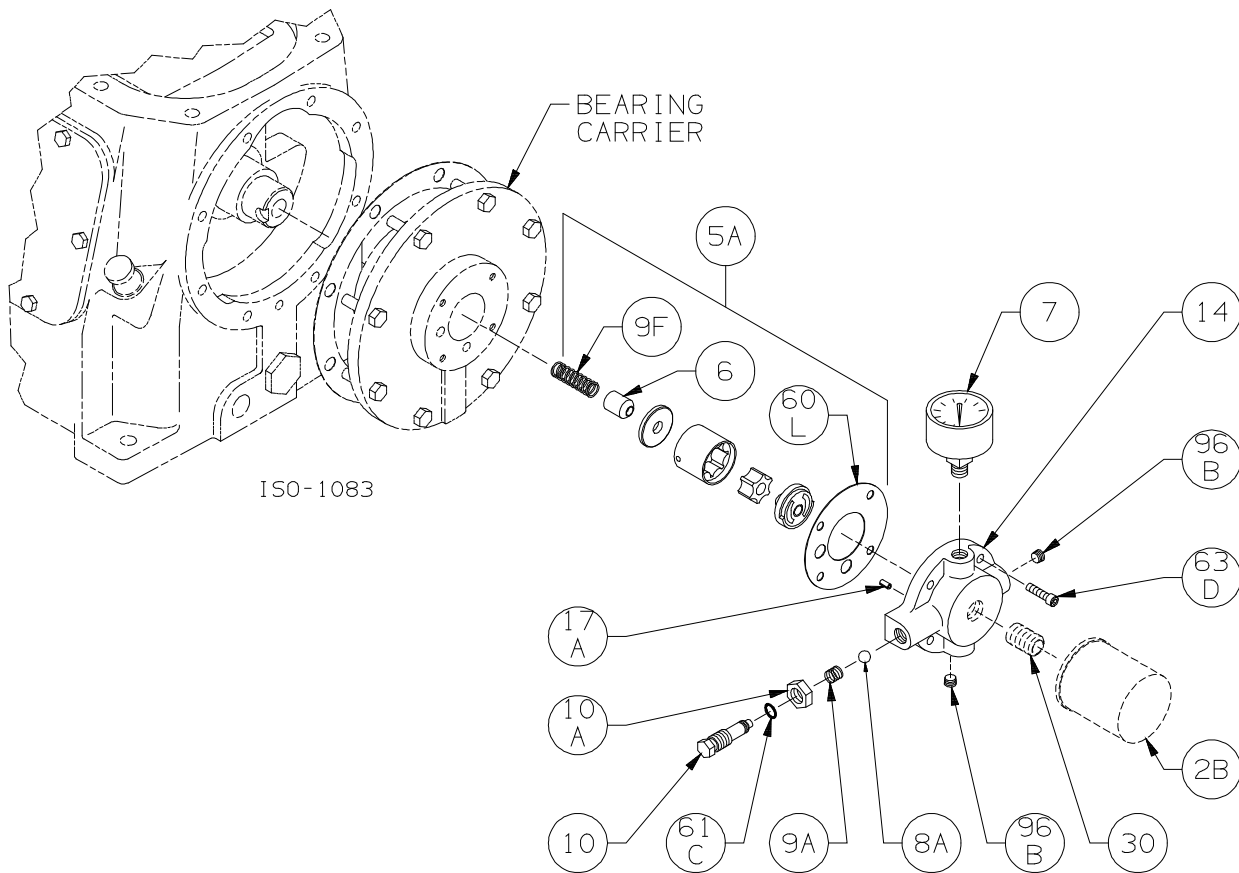
Crankcase Assembly: Model LB942A, LB942B, LB943B

| Ref | Description | Qty | Part No |
|-----|---|-----|---------|
| 1 | Crankcase Assembly - with Oil Filter | 1 | 794758 |
| 1A | Crankcase | 1 | 794709 |
| 2 | Oil Intake Screen | 1 | 792135 |
| 2B | Oil Filter | 1 | 794726 |
| 2C | Breather Filter (current) | 1 | 792070 |
| 2C1 | Breather Filter (Previous Construction) | | 794752 |
| 3 | Oil Screen Plug | 1 | 792145 |
| 5A | Oil Pump Kit | 1 | 794760 |
| 7 | Oil Pressure Gauge | 1 | 790012 |
| 11 | Oil Bayonet Assembly | 1 | 792162 |
| 12A | Inspection Plate | 1 | 794140 |
| 13A | Bearing Carrier | 1 | 794714 |
| 15A | Bearing Cup (Outboard) | 1 | 794131 |
| 15B | Bearing Cup (Inboard) | 1 | 794731 |
| 16 | Crankshaft Assembly (w/ 18A,18B,19,96B) | 1 | 794708 |
| 18A | Bearing Cone (Outboard) | 1 | 794130 |
| 18B | Bearing Cone (Inboard) | 1 | 794730 |
| 19 | Orifice | 2 | 792146 |
| 20 | Bearing Cover Plate | 1 | 794716 |

ISO1061

| Ref | Description | Qty | Part No |
|-----|-------------------------------------|-----|---------|
| 21 | Oil Seal | 1 | 794732 |
| 22A | Bearing Adjustment Shim Kit | 1 | 794733 |
| 30 | Oil Filter Fitting | 1 | 794725 |
| 60A | Gasket - Oil Screen * | 1 | 792136 |
| 60B | Gasket - Oil Screen Plug * | 1 | 792123 |
| 60C | Gasket - Inspection Plate * | 1 | 794122 |
| 60D | Gasket - Bearing Carrier Assembly * | 1 | 794720 |
| 60L | Gasket - Oil Pump Cover * | 1 | 794721 |
| 61A | O-Ring - Oil Screen * | 1 | 792175 |
| 61D | O-Ring - Oil Bayonet * | 1 | 792174 |
| 63C | Capscrew - Hex Hd | 6 | 793116 |
| 63D | Capscrew - Soc Hd | 4 | 790559 |
| 63E | Capscrew - Hex Hd | 4 | 790484 |
| 63U | Capscrew - Hex Hd | 8 | 792093 |
| 72B | Elbow | 1 | 790453 |
| 73A | Pipe Plug | 1 | 790024 |
| 96A | Pipe Plug | 1 | 790488 |
| 96B | Pipe Plug | 2 | 790309 |

* Included in Gasket Sets



Oil Pump Detail:

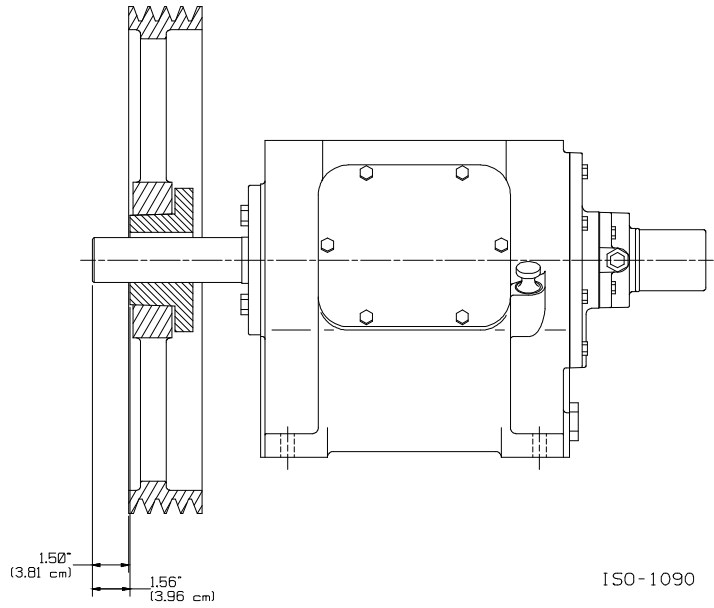
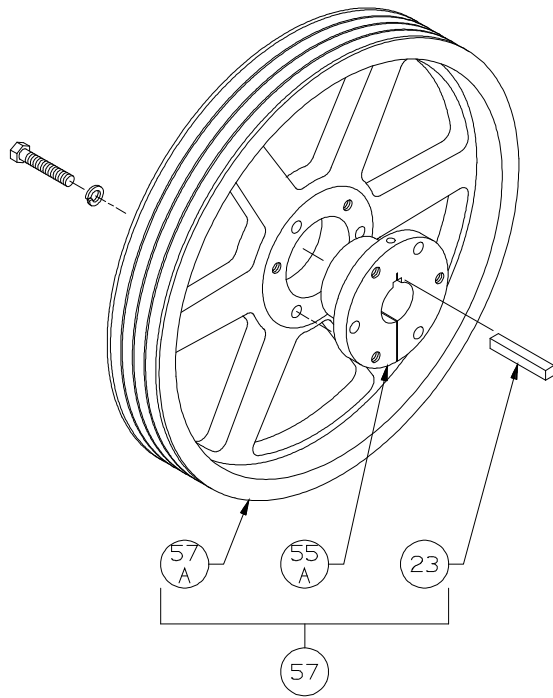
Models LB081B, LB082B, LB161B, LB162B, LB361B, LB362D,
LB601B, LB602B, LB602C, LB942A, LB942B, LB943B

ISO1083

| Ref | Description | Qty | Part No |
|-----|--------------------------------|-----|---------|
| 2B | Oil Filter | 1 | 794726 |
| 5A | Oil Pump Kit (with 6, 9F, 60L) | | 794760 |
| 6 | Oil Pump Cone | 1 | 794750 |
| 7 | Oil Pressure Gauge | 1 | 790012 |
| 8A | Oil Pressure Adj. Ball | 1 | 792154 |
| 9A | Oil Pressure Adj. Spring | 1 | 792153 |
| 9F | Oil Pump Spring | 1 | 794751 |
| 10 | Oil Pressure Adj. Screw | 1 | 792148 |
| 10A | Locknut | 1 | 792152 |

| Ref | Description | Qty | Part No |
|-----|--|-----|---------|
| | Oil Pump Cover Assembly - For Filter | | 794764 |
| 14 | Oil Pump Cover Assembly (both include 17A, 96B) | 1 | 794763 |
| 17A | Roll Pin | 1 | 794753 |
| 30 | Oil Filter Fitting | 1 | 794725 |
| 60L | Gasket - Oil Pump Cover * | 1 | 794721 |
| 61C | O-Ring - Adjusting Screw * | 1 | 792168 |
| 63D | Capscrew - Socket Head | 4 | 790559 |
| 96B | Pipe Plug | 2 | 790309 |

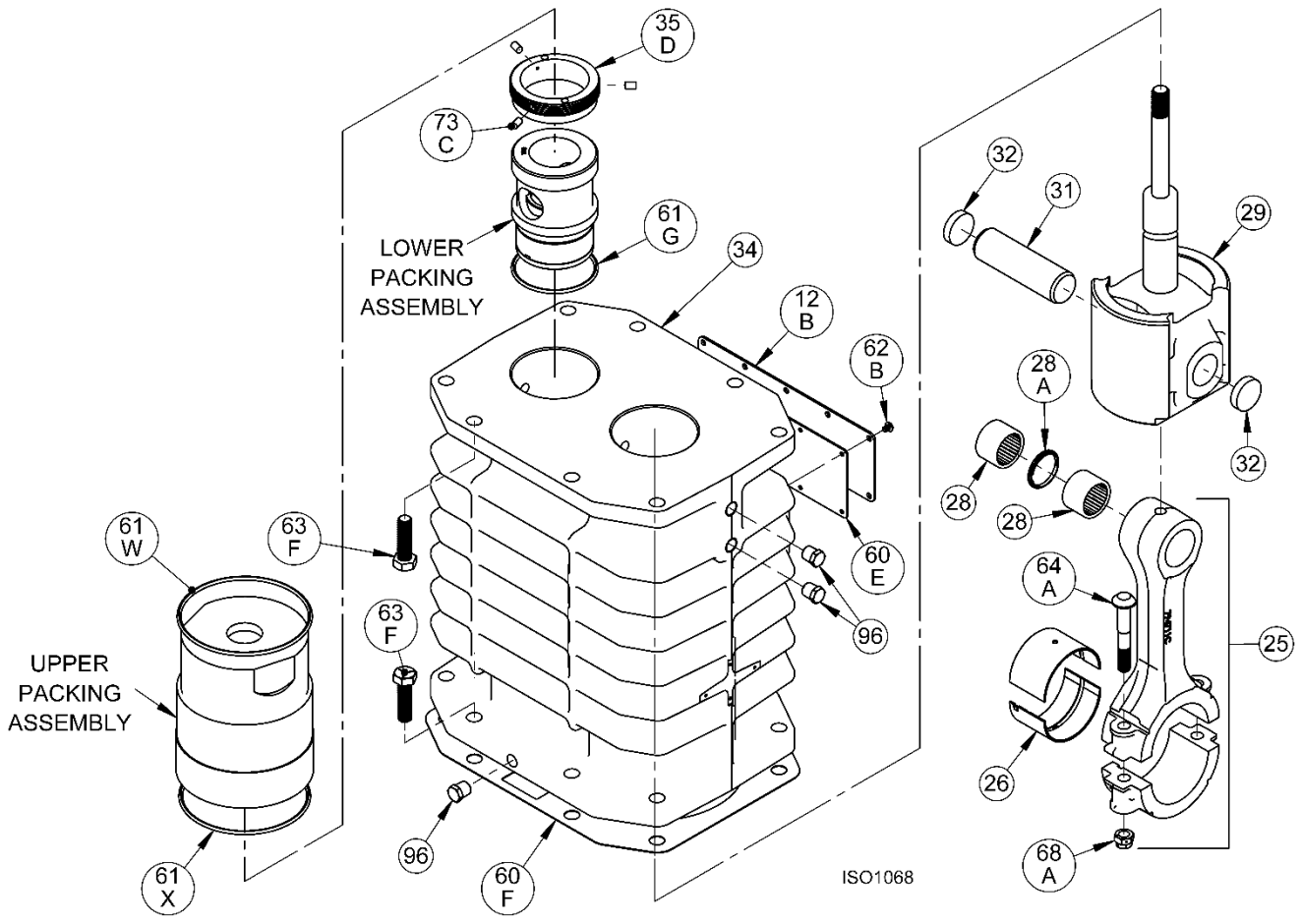
* Included in Gasket Sets



Flywheel Assembly: LB942A, LB942B, LB943B

ISO1090

| Ref | Description | Qty | Part No |
|-----|-------------------|-----|---------|
| 23 | Key | 1 | 794267 |
| 55A | Hub (E 1.875") | 1 | 790505 |
| 57 | Flywheel Assembly | 1 | 794755 |
| 57A | Flywheel | 1 | 790539 |



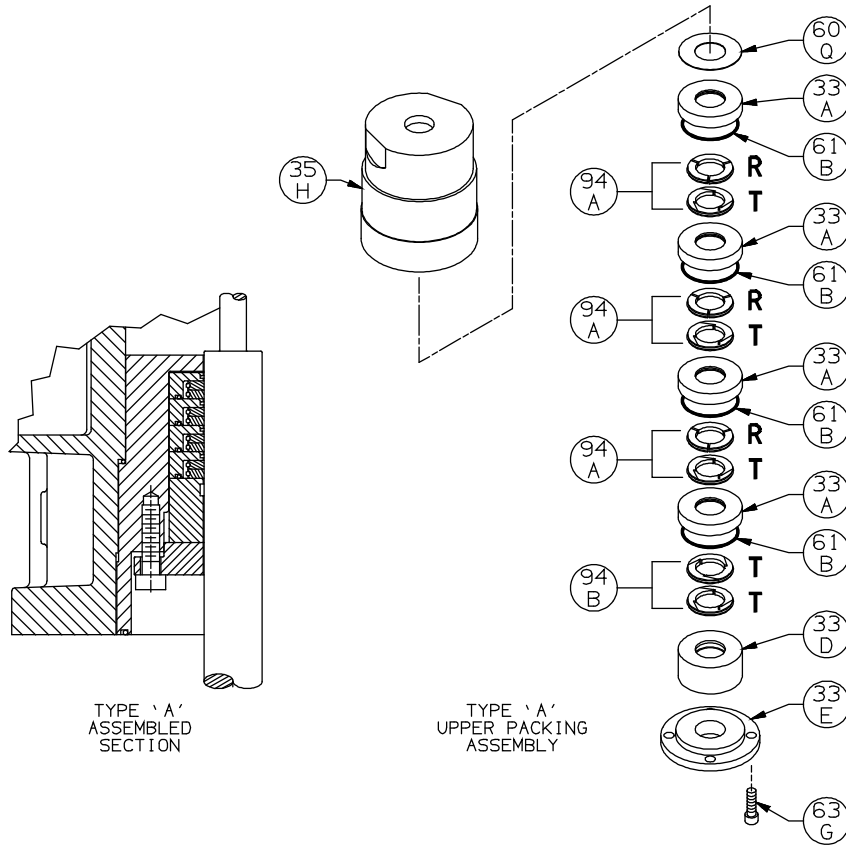
Crosshead Assembly: LB942B

| Ref | Description | Qty | Part No |
|-----|-----------------------------|-----|---------|
| 12B | Inspection Plate | 1 | 794093 |
| 25 | Connecting Rod Assembly | 2 | 794767 |
| 26 | Connecting Rod Bearing | 2 | 794710 |
| 28 | Wrist Pin Bearing | 4 | 794776 |
| 28A | Bearing Spacer | 2 | 794770 |
| 29 | Crosshead Assembly | 2 | 794785 |
| 31 | Wrist Pin | 2 | 794727 |
| 32 | Wrist Pin Plug | 4 | 794724 |
| 34 | Crosshead Guide | 1 | 794430 |
| 35D | Hold-down Ring | 2 | 794220 |
| 60E | Gasket - Inspection Plate * | 1 | 794092 |

ISO1068-5

| Ref | Description | Qty | Part No |
|-----|----------------------------------|-----|---------|
| 60F | Gasket - Crankcase * | 1 | 794121 |
| 61G | O-Ring (Buna-N) * | 2 | 794082 |
| 61W | O-Ring (Buna-N) * | 2 | 792315 |
| 61X | O-Ring (Buna-N) * | 2 | 792252 |
| 62B | Machine Screw - Inspection Plate | 10 | 793096 |
| 63F | Capscrew - Hex Hd | 16 | 794094 |
| 64A | Connecting Rod Bolt | 4 | 794012 |
| 68A | Connecting Rod Bolt Nut | 4 | 794013 |
| 73C | Lock Plug * | 6 | 794028 |
| 96 | Pipe Plug | 4 | 793498 |

* Included in Gasket Sets



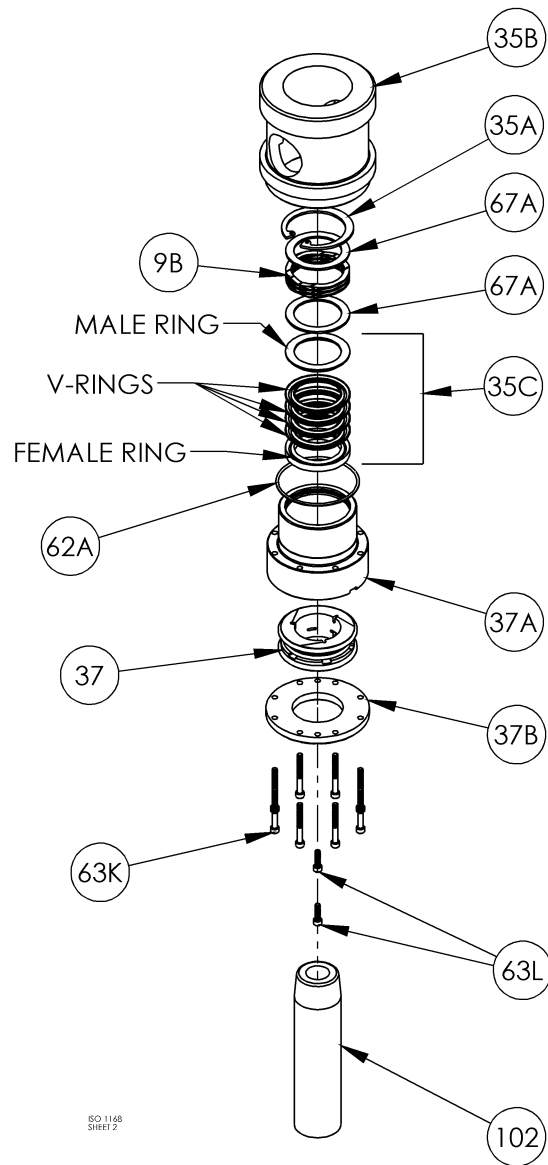
Upper Packing Box Detail - Type 'A': LB942B

ISO1060

| Ref | Description | Qty | Part No |
|-----|------------------------|-----|---------|
| 33A | Packing Cup | 8 | 794783 |
| 33D | Packing Spacer | 2 | 794745 |
| 33E | Packing Gland | 2 | 794781 |
| 35H | Packing Box - Upper | 2 | 794780 |
| 60Q | Gasket - Packing Cup * | 2 | 794754 |

| Ref | Description | Qty | Part No |
|-----|----------------------|-----|---------|
| 61B | O-Ring (Buna-N) * | 8 | 792260 |
| 63G | Capscrew - Socket Hd | 8 | 790483 |
| 94A | Packing Ring - R/T | 6 | 794746 |
| 94B | Packing Ring - T/T | 2 | 794747 |

*Included in Gasket Sets



ISO 1168
SHEET 2

Lower Packing Box Detail ' : LB942B

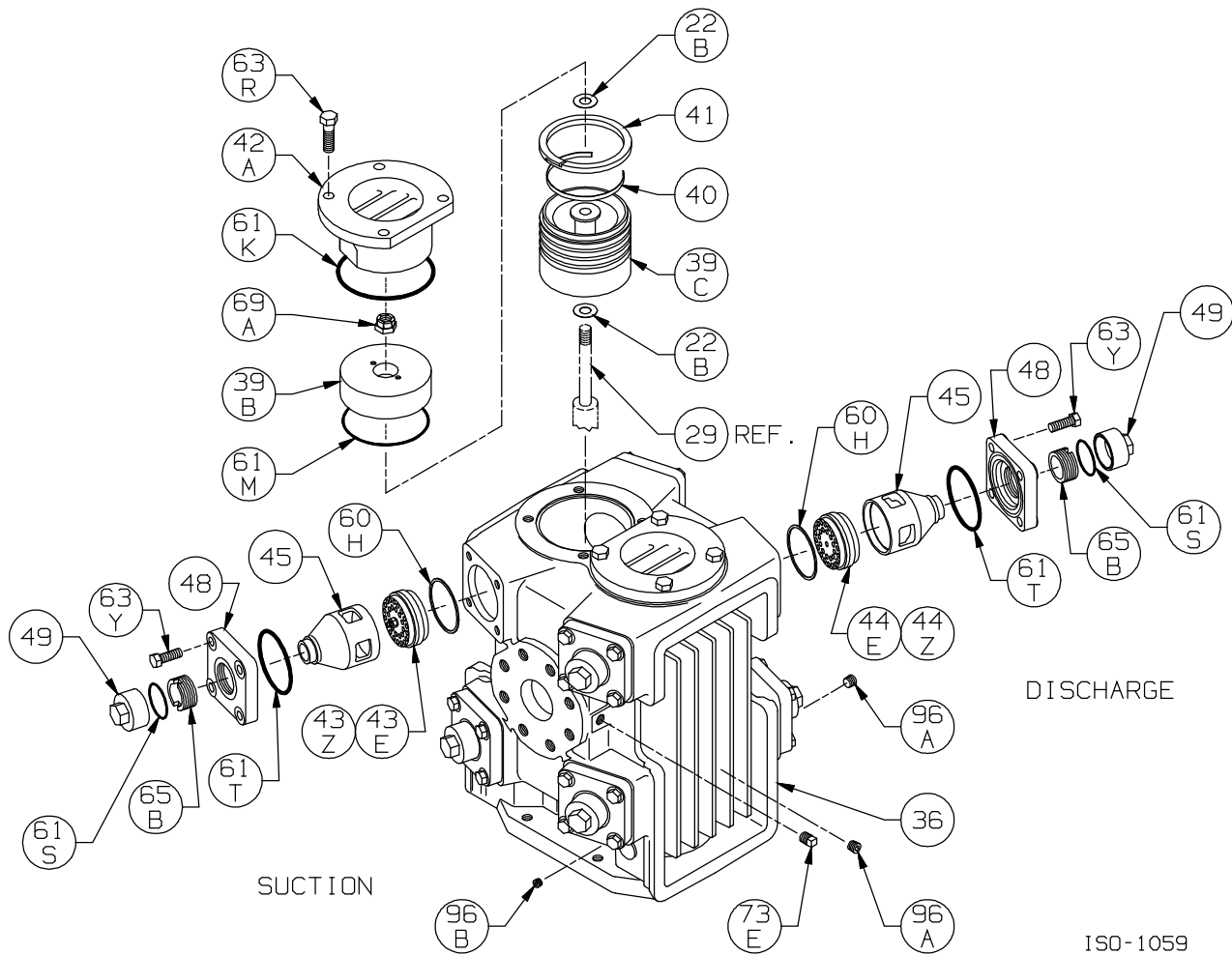
ISO1168-2

| Ref | Description | Qty | Part No |
|-----|---------------------|-----|---------|
| 9B | Packing Spring | 2 | 794041 |
| 35A | Retainer Ring | 2 | 794080 |
| 35B | Packing Box - Lower | 2 | 794772 |
| 35C | Packing Set | 2 | 794498 |
| 37 | S3R Seal | 2 | 794456 |
| 37A | Seal Cup | 2 | 794455 |

| Ref | Description | Qty | Part No |
|-----|---------------------------|-----|---------|
| 37B | Seal Cup Cover | 2 | 794454 |
| 62A | O-Ring (Buna-N) * | 2 | 792311 |
| 63K | Capscrew - Socket Hd | 16 | 794460 |
| 63L | Capscrew - Socket Hd | 4 | 794461 |
| 67A | Washer - Packing Box | 4 | 794084 |
| 102 | Packing Installation Tool | 1 | 790540 |

*Included in Gasket Sets

Refer to the Compressor IOM for proper orientation of components.



ISO-1059

Cylinder Assembly LB942A, LB942B, LB943B

ISO1059

| Ref | Description | Qty | Part No |
|-----|--------------------------------------|-----|---------|
| 22B | Piston Shim – 0.007" | AR | 794761 |
| | Piston Shim – 0.015" | | 794762 |
| | Piston Shim – 0.025" | | 797022 |
| | Piston Shim – 0.035" | | 797023 |
| | Piston Shim – 0.040" | | 797024 |
| 36 | Cylinder | 1 | 794704 |
| 39B | Piston Cap | 2 | 794719 |
| 39C | Piston | 2 | 794718 |
| 40 | Expander | 8 | 793614 |
| 41 | Piston Ring - Std | 8 | 793610 |
| 42A | Head | 2 | 794702 |
| 43E | Suction Valve Assembly | 4 | 793659 |
| 43Z | Valve Repair Kit - For 793659/793679 | | 793660 |
| 44E | Discharge Valve Assembly | 4 | 793679 |
| 44Z | Valve Repair Kit - For 793659/793679 | | 793660 |

| Ref | Description | Qty | Part No |
|-----|------------------------|-----|---------|
| 45 | Cage | 8 | 794620 |
| 48 | Valve Cover Plate | 8 | 794284 |
| 49 | Valve Cap | 8 | 792003 |
| 60H | Gasket - Valve * | 8 | 794198 |
| 61K | O-Ring (Buna-N) Std * | 2 | 792315 |
| 61M | O-Ring (Buna-N) Std * | 2 | 792060 |
| 61S | O-Ring (Buna-N) Std * | 8 | 792306 |
| 61T | O-Ring (Buna-N) Std * | 8 | 792112 |
| 63R | Capscrew - Hex Hd | 8 | 794097 |
| 63Y | Capscrew - Hex Hd | 32 | 793094 |
| 65B | Valve Hold Down Screw | 8 | 792002 |
| 69A | Piston Nut - TNT | 2 | 792857 |
| 73E | Pipe Plug - 1/4 | 4 | 793498 |
| 96A | Pipe Plug - 1/4 Socket | 4 | 790488 |
| 96B | Pipe Plug - 1/8 Socket | 2 | 790309 |

AR As Required

* Included in Gasket Sets

Suggested Spare Parts for LB942B compressors:

| Part # | Description | Qty./Unit | Comm. Qty. | Spare Qty. |
|--|---|-----------|------------|------------|
| 794791 | Gasket Set - Buna-N, Iron T | 1 | 1 | 1 |
| 793659 or 793660 | Suction Valve or Suction Valve Repair Kit T | 4 | | 4 |
| 793679 or 793660 | Discharge Valve or Discharge Valve Repair Kit T | 4 | | 4 |
| 793610 | Piston Ring T | 8 | 8 | 8 |
| 793614 | Piston Ring Expander T | 8 | | 8 |
| 794746 | Upper Packing Ring - R/T T | 6 | 6 | 6 |
| 794747 | Upper Packing Ring - T/T T | 2 | 2 | 2 |
| 794498 | Lower Packing Set T | 2 | 2 | 2 |
| 790540 | Packing Installation Tool | 1 | | 1 |
| 794726 | Oil Filter T | 1 | 1 | 6 |
| 794727 | Wrist Pin I | 2 | | 2 |
| 794776 | Wrist Pin Roller Bearing I | 4 | 4 | 4 |
| 794710 | Conrod Bearing I | 2 | 2 | 2 |
| The following parts would normally be required only for major compressor overhaul. | | | | |
| 794785 | Crosshead Assembly I | 2 | | 1 |
| 794730 | Inboard Bearing Cone | 1 | | 1 |
| 794731 | Inboard Bearing Cup | 1 | | 1 |
| 794130 | Outboard Bearing Cone | 1 | | 1 |
| 794131 | Outboard Bearing Cup | 1 | | 1 |
| 794767 | Conrod Assembly | 2 | | 1 |
| 794456 | S3R Seal | 2 | | 2 |
| 794760 | Oil Pump Repair Kit | 1 | | |
| 794708 | Crankshaft Assembly | 1 | | |
| 794733 | Bearing Adjustment Shim Kit | 1 | | |
| 794704 | Cylinder | 1 | | |
| The Following Spare Kits Are Available | | | | |
| 794243 | Top End Kit (Includes 'T' Parts) | | | |
| 794244 | Intermediate Kit (Includes 'T' and 'I' Parts) | | | |

Notes:

Notes:

Notes: