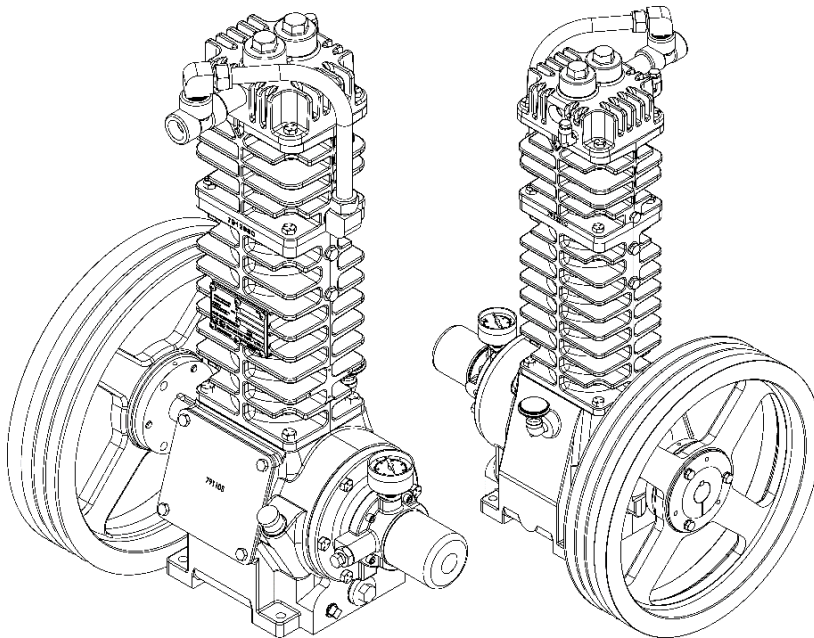


## LB082ECA PARTS LIST

(See Instructions 502-B00 for Operation and Maintenance)

Serial # \_\_\_\_\_

ID# \_\_\_\_\_

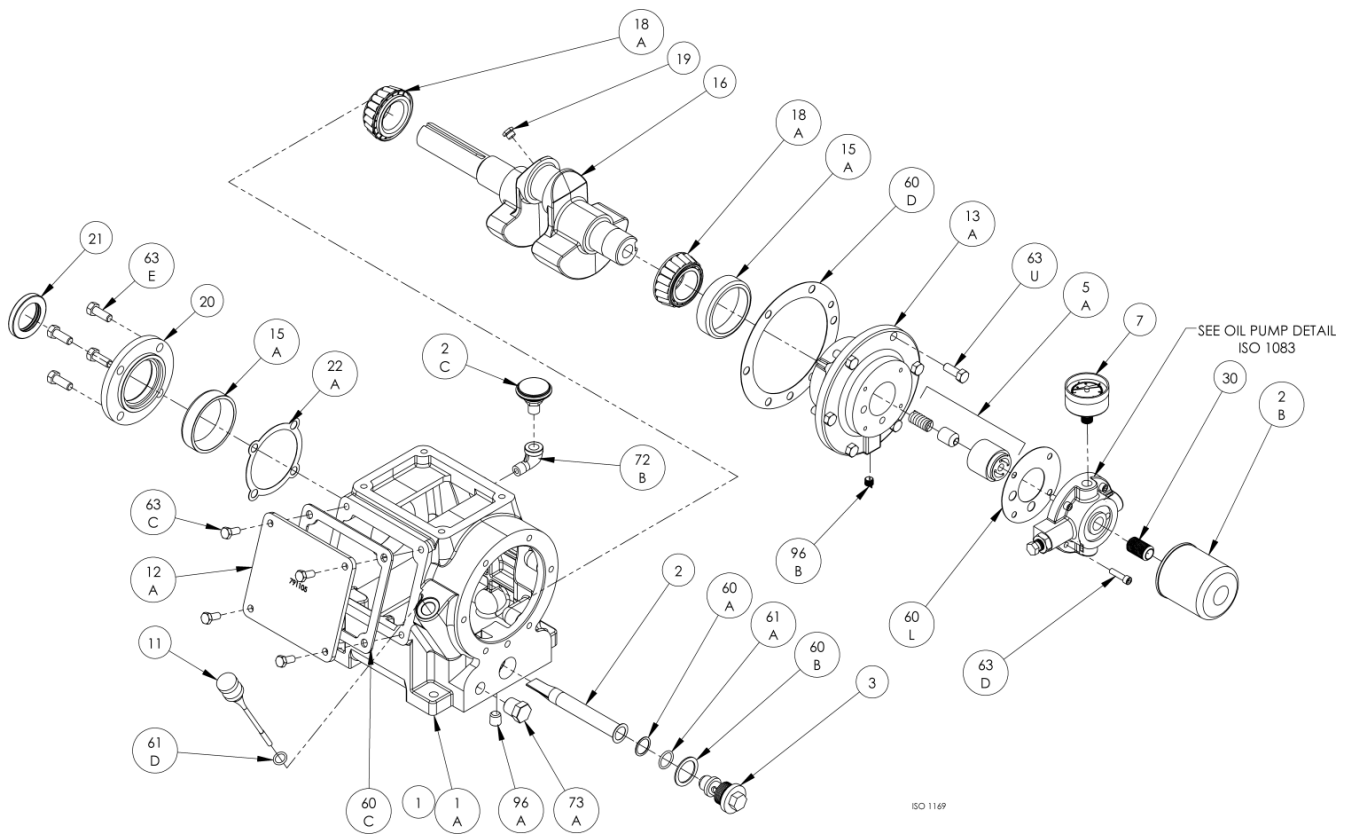


<b>Gasket Set, Repair Kits and Special Tools</b>		
Gasket Set	BUNA & Aluminum	791232
Top End Repair Kit		791331
Includes Piston Rings & Expanders, Packing Sets, Valves, Gaskets Oil Filter & O-rings		
Intermediate Repair Kit		791332
Includes Top End Kit plus Wrist Pins & Bushings, Connecting Rod Bearings, and Crossheads.		
Packing Installation Tool		790536
Spanner Wrench, 1/4" Adjustable		790316
Valve Hold Down Tool		798016
Tool Kit		790199
Piston Tool		798003

<b>Content Needed For Complete Parts List</b>	
Model	1
Crankcase	3
Oil Pump	4
Flywheel	5
Crosshead	6
Cylinder	7
Head	8

Suggested Spare Parts for LB082ECA Compressors:

Part #	Description		Qty./ Unit	Comm. Qty.	Spare Qty.
791232	Gasket Set – BUNA-N & Aluminum	T	1	1	1
792259	Suction Valve Sub-Assembly	T	1		1
792279	Discharge Valve	T	1		1
792018	Piston Ring	T	3	3	3
792022	Piston Ring Expander	T	3	3	3
793499	Packing Set	T	2	2	2
790741	Oil Filter w/ UL Gasket	T	1		1
792014	Wrist Pin	I	1		1
792013	Wrist Pin Bushing	I	1	1	1
792012	Conrod Bearing	I	1	1	1
The following parts would normally be required only for major compressor overhaul.					
792501	Crosshead Assembly	I	1		1
793142	Bearing Cone		2		2
793126	Bearing Cup		2		2
792009	Conrod Assembly		1		1
791257	Crankshaft Assembly with Bearing Cones		1		
793133	Bearing Adjustment Shim Kit		1		
794760	Oil Pump Repair Kit		1		
791201	Cylinder		1		
The following spare parts kits are available.					
791331	Top End Kit (Includes 'T' Parts)				
791332	Intermediate Kit (Includes 'T' and 'I' Parts)				



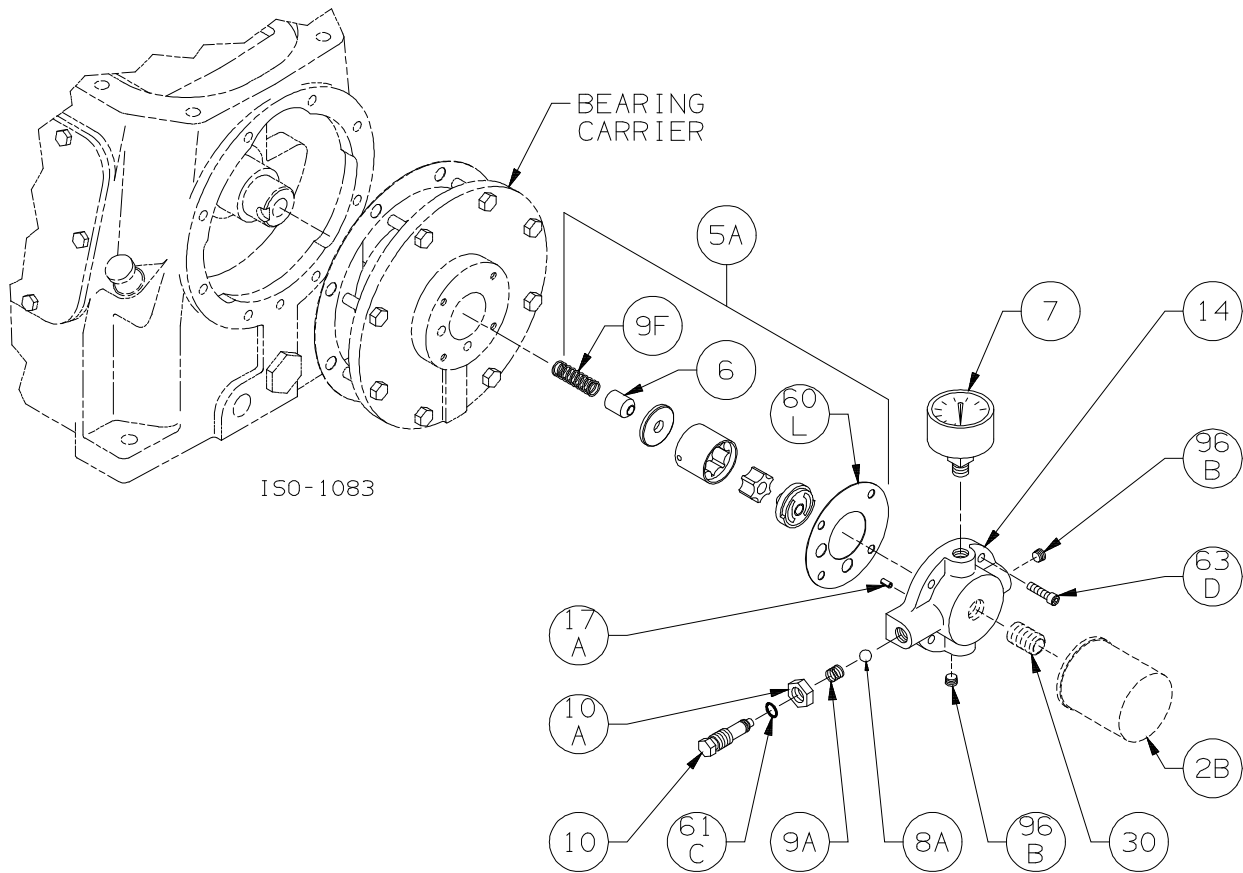
Crankcase Assembly: Model LB082ECA

ISO1169

Ref	Description	Qty	Part No
1	Crankcase Assembly – with Oil Filter	1	791241
1A	Crankcase	1	791202
2	Oil Intake Screen	1	792135
2B	Oil Filter w/ UL Gasket	1	790741
2C	Breather Filter	1	792070
3	Oil Screen Plug	1	792145
5A	Oil Pump Kit	1	794760
7	Oil Pressure Gauge	1	790012
11	Oil Bayonet Assembly	1	792162
12A	Inspection Plate	1	791205
13A	Bearing Carrier	1	792104
15A	Bearing Cup	2	793126
16	Crankshaft Assembly (w/ 18A,19)	1	791257
18A	Bearing Cone	2	793142
19	Orifice	1	792146
20	Bearing Cover Plate	1	793106
21	Oil Seal	1	793143

Ref	Description	Qty	Part No
22A	Bearing Adjustment Shim Kit	1	793133
30	Oil Filter Fitting	1	794725
60A	Gasket - Oil Screen *	1	792136
60B	Gasket - Oil Screen Plug *	1	792123
60C	Gasket - Inspection Plate *	1	791222
60D	Gasket - Bearing Carrier Assembly*	1	792124
60L	Gasket - Oil Pump Cover *	1	794721
61A	O-Ring - Oil Screen *	1	792175
61D	O-Ring - Oil Bayonet *	1	792174
63C	Capscrew - Hex Hd	4	793116
63D	Capscrew - Soc Hd	4	790559
63E	Capscrew - Hex Hd	4	792093
63U	Capscrew - Hex Hd	6	792093
72B	Elbow	1	790453
73A	Pipe Plug	1	792166
96A	Pipe Plug	1	790488
96B	Pipe Plug	1	790309

\* Included in Gasket Sets



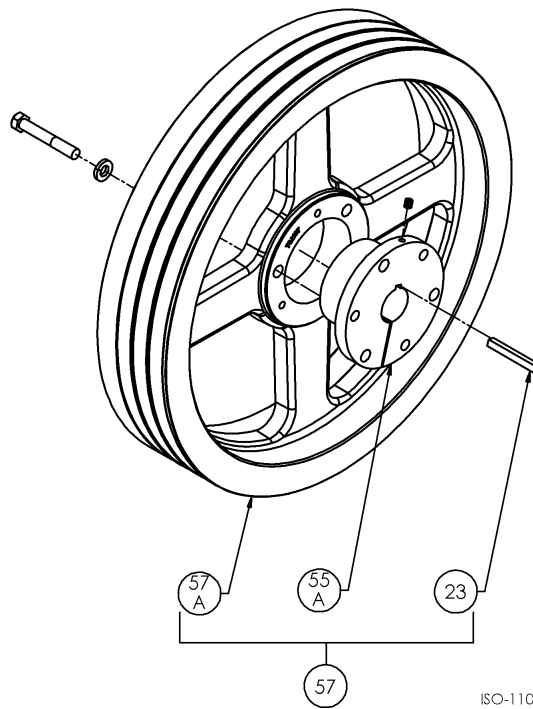
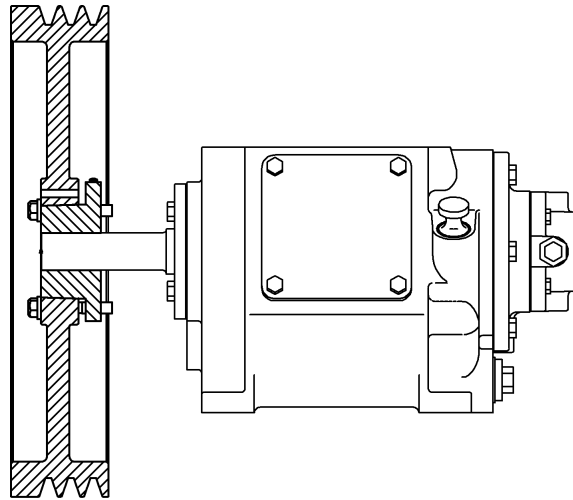
Oil Pump Detail: Model LB082ECA

Ref	Description	Qty	Part No
2B	Oil Filter w/ UL Gasket	1	790741
5A	Oil Pump Kit (with 6, 9F, 60L)		794760
6	Oil Pump Cone	1	794750
7	Oil Pressure Gauge	1	790012
8A	Oil Pressure Adj. Ball	1	792154
9A	Oil Pressure Adj. Spring	1	792153
9F	Oil Pump Spring	1	794751
10	Oil Pressure Adj. Screw	1	792148
10A	Locknut	1	792152

ISO1083

Ref	Description	Qty	Part No
14	Oil Pump Cover Assembly - For Filter	1	794764
	Oil Pump Cover Assembly (both include 17A, 96B)		794763
17A	Roll Pin	1	794753
30	Oil Filter Fitting	1	794725
60L	Gasket - Oil Pump Cover *	1	794721
61C	O-Ring - Adjusting Screw *	1	792168
63D	Capscrew - Socket Head	4	790559
96B	Pipe Plug	2	790309

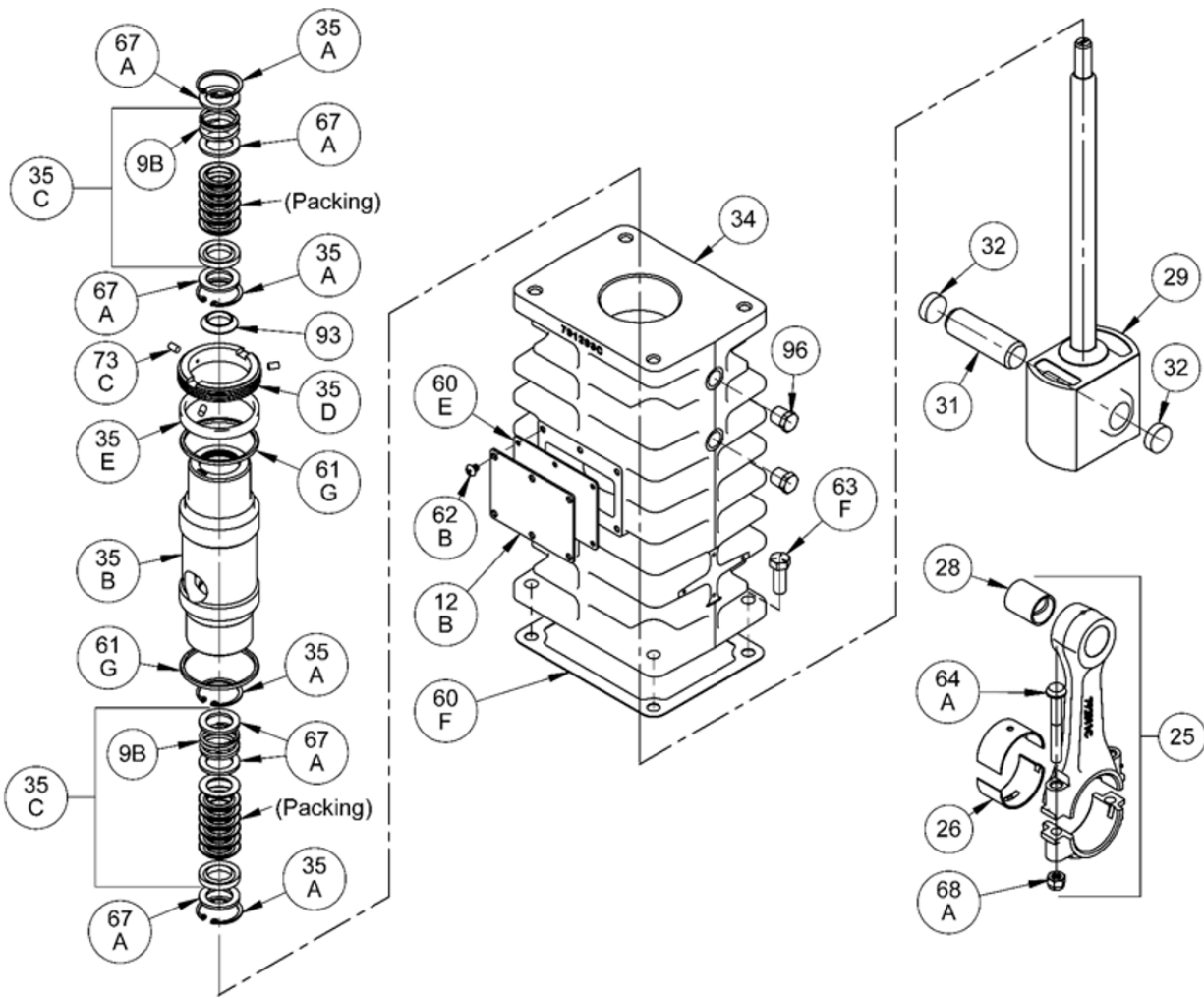
\* Included in Gasket Sets



ISO-1106

Flywheel Assembly: Model LB082ECA ISO-S1106

Ref	Description	Qty	Part No
23	Key	1	792167
55A	Hub (SF 1.25")	1	790563
57	Flywheel Assembly	1	792073
57A	Flywheel	1	792197



Crosshead Assembly: LB082ECA

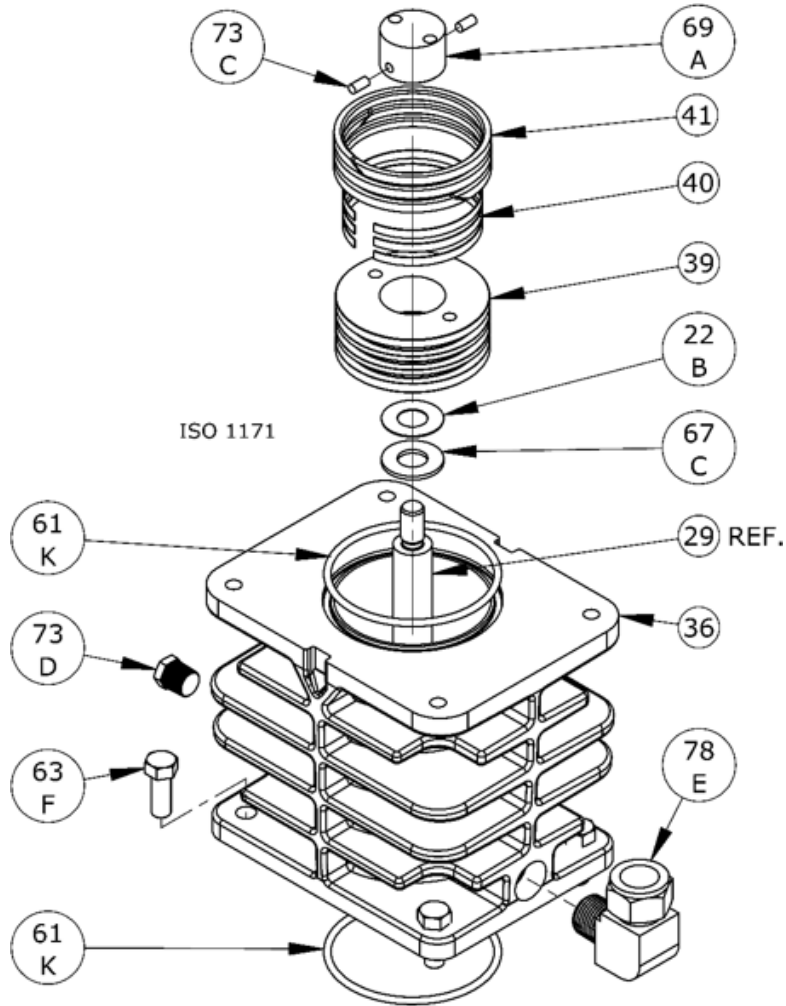
ISO1170

Ref	Description	Qty	Part No
9B	Packing Spring	2	792077
12B	Inspection Plate	1	791217
25	Connecting Rod Assembly	1	792009
26	Connecting Rod Bearing	1	792012
28	Wrist Pin Bushing **	1	792013
29	Crosshead Assembly	1	792501
31	Wrist Pin	1	792014
32	Wrist Pin Plug	2	792178
34	Crosshead Guide	1	791293
35A	Retainer Ring	4	793404
35B	Packing Box	1	792502
35C	Packing Set	2	793499
35D	Hold-down Ring	1	793220

\* Included in Gasket Sets

Ref	Description	Qty	Part No
35E	Spacer Ring	1	793402
60E	Gasket - Inspection Plate *	1	791292
60F	Gasket - Crankcase *	1	791221
61G	O-Ring *	2	792125
62B	Machine Screw - Inspection Plate	6	793096
63F	Capscrew - Hex Hd	4	792093
64A	Connecting Rod Bolt	2	792006
67A	Washer - Packing Box	6	792087
68A	Connecting Rod Bolt Nut	2	792005
73C	Lock Plug *	3	792030
93	Oil Deflector Ring	1	793478
96	Pipe Plug	4	793498

\*\* Must be honed after installing

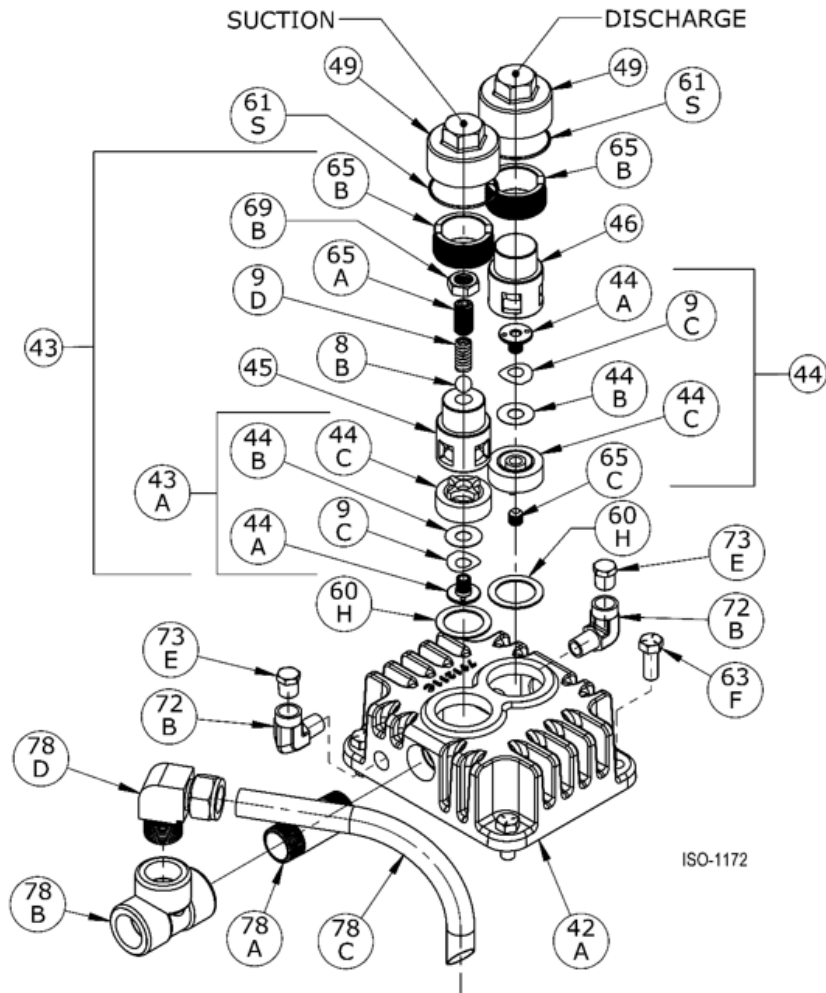


Cylinder Assembly: Model LB082ECA

ISO1171

Ref	Description	Qty	Part No
22B	Piston Shim - 0.015	AR	792034
	Piston Shim - 0.007		792050
36	Cylinder	1	791201
39	Piston	1	792031
40	Expander	3	792022
41	Piston Ring	3	792018
61K	O-Ring *	2	792112
63F	Capscrew - Hex Hd	4	792093
67C	Thrust Washer	1	792033
69A	Piston Nut	1	793022
73C	Lock Plug *	2	793028
73D	Pipe Plug	1	793498
78E	Tubing Elbow, Suction Pipe	1	790392

\* Included in Gasket Sets



Head Assembly: Model LB082ECA

ISO1172

Ref	Description	Qty	Part No
8B	Liquid Relief Valve Ball	1	792042
9C	Valve Spring	2	792038
9D	Liquid Relief Valve Spring	1	792045
42A	Head	1	791211
43	Suction Valve Assembly	1	792269
43A	Valve Sub-Assembly		792259
44	Discharge Valve Assembly	1	792279
44A	Valve Bumper	2	792235
44B	Valve Disc	2	792037
44C	Valve Body	2	792236
45	Liquid Relief Valve Body	1	792046
46	Cage	1	792051
49	Valve Cap	2	792003

Ref	Description	Qty	Part No
60H	Gasket - Valve *	2	792107
61S	O-Ring *	2	792306
63F	Capscrew - Hex Hd	4	792093
65A	Liquid Relief Valve Screw	1	792043
65B	Valve Holddown Screw	2	792002
65C	Screw	1	792234
69B	Nut	1	792044
72B	Elbow	2	790296
73E	Pipe Plug	2	793498
78A	Nipple, Suction Pipe	1	790541
78B	Tee, Suction Pipe	1	790121
78C	Tubing, Suction Pipe	1	791295
78D	Elbow, Suction Pipe	1	790391

\* Included in Gasket Sets