

# BLACKMER PARTS LIST

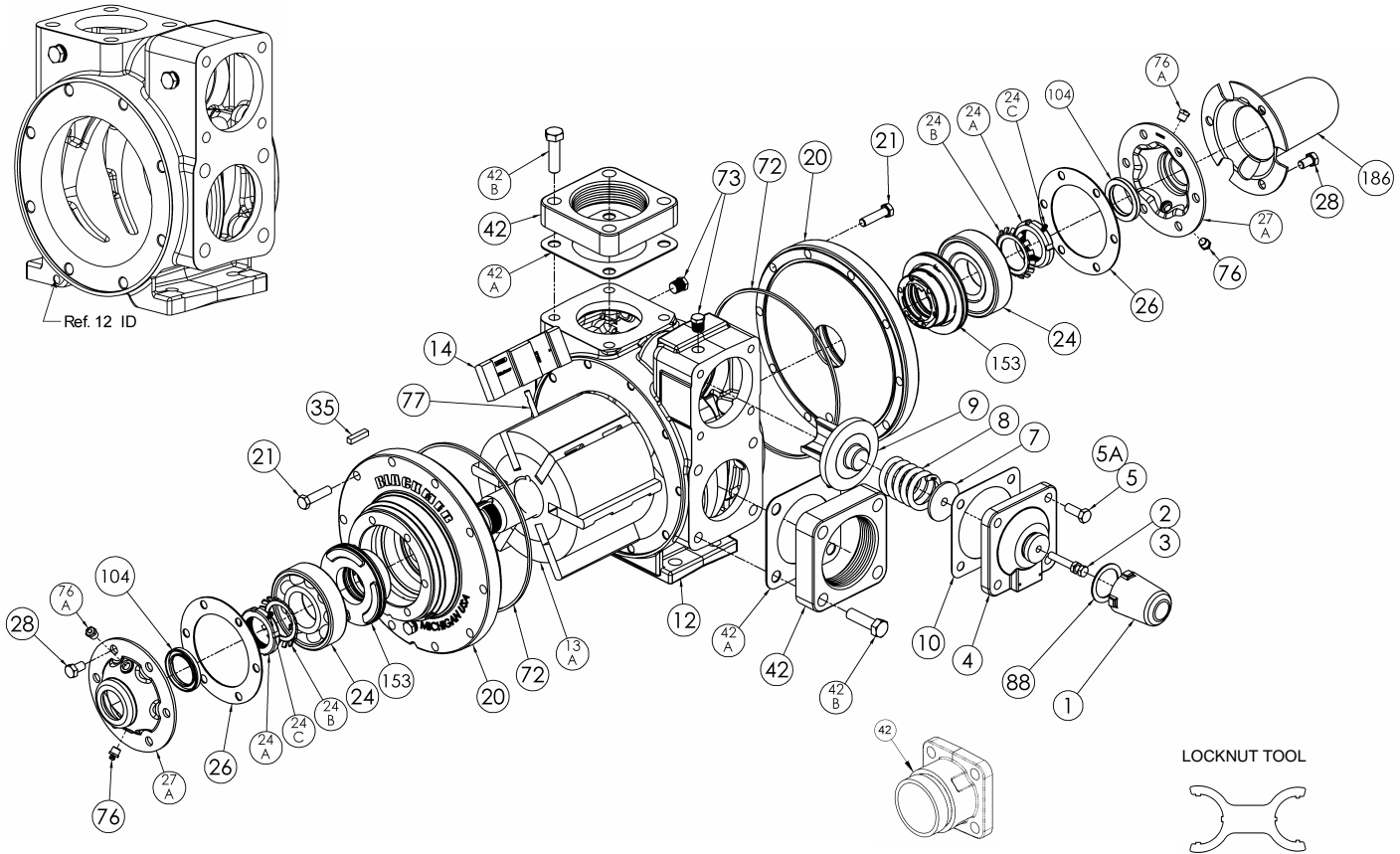
## PUMP MODEL: TXD1230A

961881  
Page 1 of 2

**PARTS LIST**  
**201-D04**

Keep with Instructions 201-D00 for Installation, Operation and Maintenance

Section	201
Effective	Oct 2008
Replaces	New



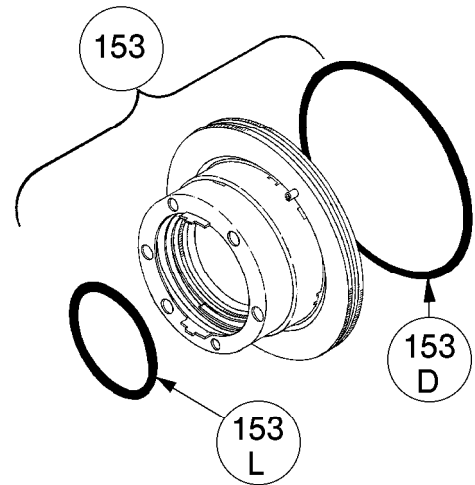
Ref. No.	Description	Parts Per Pump	Part No.	Ref. No.	Description	Parts Per Pump	Part No.
1	Cap - Relief Valve (R/V)	1	413957	24B	Lockwasher - Bearing	2	<sup>1</sup> 903524
2	Adjusting Screw - R/V	1	431808	24C	Setscrew - Locknut (in 24A)	2	924060
3	Locknut - Adjusting Screw	1	922923	26	Gasket - Bearing Cover	2	<sup>1</sup> 381817
4	Cover - R/V	1	411807	27A	Bearing Cover	2	041815
5	Capscrew - R/V Cover	3	920331	28	Capscrews - Bearing Cover	12	920285
5A	Capscrew w / Hole - R/V Cover	1	920330	35	Key - Shaft	1	<sup>1</sup> 909178
7	Spring Guide - R/V	1	421805	42 -	Flanges, Flange Gaskets / Orings, and Flange Capscrews		See Backside
8	Spring - R/V (51-110 psi)(Std.)	1	471806	42C	Flange Capscrews		
	Spring - R/V (111-125 psi)		471809	72	O-Ring - Head (FKM)	2	<sup>1</sup> 711938
9	Valve - R/V (Std.)	1	451807	73	Gage Plug	2	908198
	Valve - R/V (Nickel Plated)		451808	76	Grease Fitting	2	317815
10	Gasket - R/V Cover	1	<sup>1</sup> 531803	76A	Grease Relief Fitting	2	701992
12	Cylinder (Note Series 1200 ID mark)	1	021880	77	Push Rod	3	<sup>1</sup> 125110
13A	Rotor & Shaft Asy. - Double Ended <sup>2</sup>	1	261881	88	Gasket - R/V Cap	1	<sup>1</sup> 533908
14	Vane - Duravane	6	<sup>1</sup> 091819	104	Grease Seal	2	<sup>1</sup> 331908
20	Head	2	031815	186	Shaft Protector	1	341801
21	Capscrews - Head	20	920369		Air Valve Kit		891798
24	Ball Bearing	2	<sup>1</sup> 903172		Tool - Locknut		903091
24A	Locknut - Bearing (Includes 24C)	2	903582		Kit - Maintenance (TXD1230A)		899182

<sup>1</sup> Included in Maintenance Kit    <sup>2</sup> Includes ref. Nos. 24A, 24B & 24C

### MECHANICAL SEALS

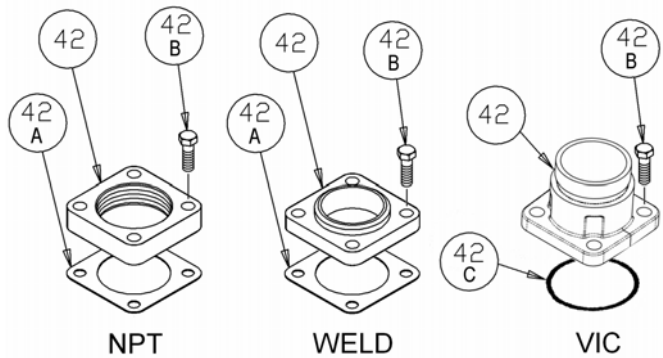
REF. NO.	PART NAME	PARTS PER PUMP	PART NO.
153	Mechanical Seal Complete Cast Iron Stationary Seat, FKM O-Rings, Carbon Seal Face. (IVCV)	2	331883
153D	O-Ring - Stationary (FKM)	2	711931
153L	O-Ring - Rotating (FKM)	2	701962

<sup>1</sup> Included in Maintenance Kit



### FLANGES

REF. NO.	PART NAME	PARTS PER PUMP	PART NO.
42	Flange – 3" NPT	1 – 2	651803
	Flange – 3" Weld		655102
	Flange – 3" Victaulic		655120
42A	Gasket – Flange, NPT and Weld	0 – 2	<sup>1</sup> 381816
42B	Capscrews – NPT Flange	4 – 8	920532
	Capscrews – Weld & Victaulic Flange		920510
42C	O-Ring – Victaulic Flange (FKM)	0 – 2	711931



### OPTIONAL HYDRAULIC MOTOR ADAPTER

REF. NO.	PART NAME	PARTS PER PUMP	PART NO.
	<b>Hydraulic Motor Adapter Kit</b>		895140
26A	Gasket – Hydraulic Motor Adapter	1	381817
28A	Capscrew – Hydraulic Motor Adapter / Head	6	920369
34	Coupling w/ Setscrew – for 1.25" straight key hydraulic motor	1	906967
35	Key – Coupling	1	909184
76	Grease Fitting	1	317815
76A	Grease Relief Fitting	1	701992
135	Hydraulic Motor Adapter – SAE A Flange	1	041831
135A	Capscrew – Adapter / Motor	2	920510

