

# BLACKMER PARTS LIST

960299

PARTS LIST

Page 1 of 2

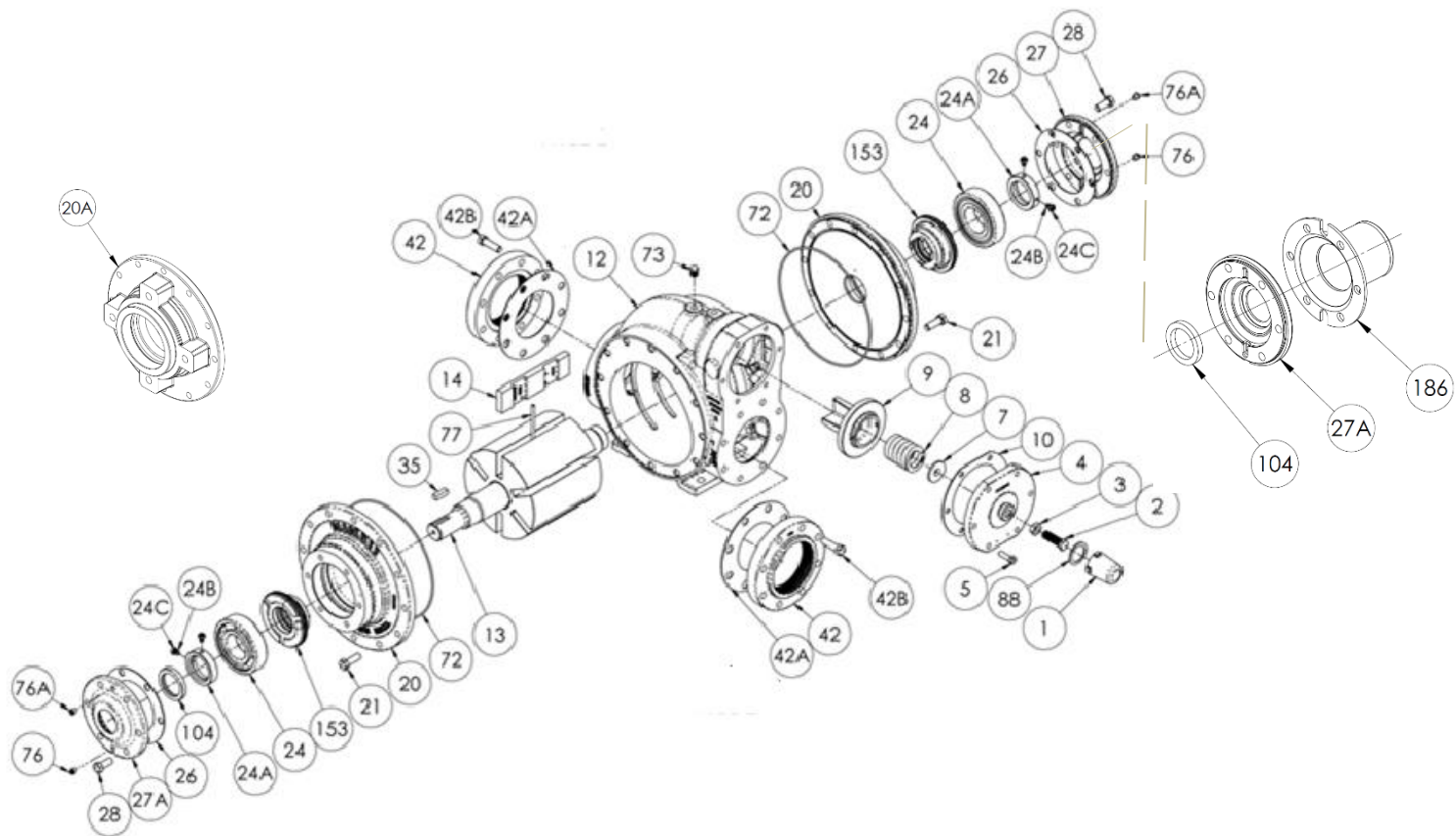
201-A09

**PUMP MODEL: TXDI4B (Double Ended Shafts)**

**TXI4B (Single Ended Shafts)**

Keep with Instructions 201-A00 for Installation, Operation and Maintenance

Section	201
Effective	Feb 2023
Replaces	Feb 2018



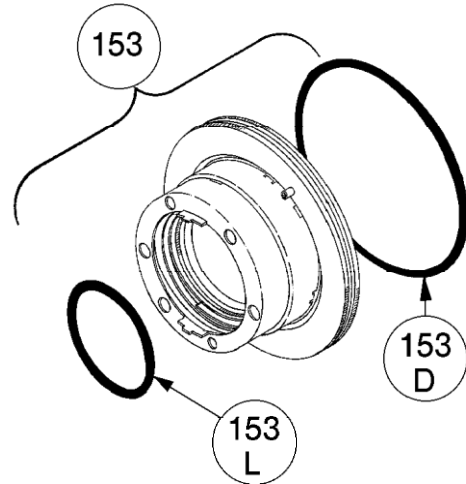
Ref. No.	Description	Parts Per Pump	Part No.	Ref. No.	Description	Parts Per Pump	Part No.
1	Cap – Relief Valve (R/V)	1	413957	24C	Jam Nut	4	<sup>1</sup> 922923
2	Adjusting Screw – R/V	1	436307	26	Gasket – Bearing Cover	2-1	<sup>1</sup> 386950
3	Locknut – Adjusting Screw	1	436355	27	Bearing Cover – Outboard	1-0	041905
4	Cover – R/V	1	411904	27A	Bearing Cover – Inboard	1-2	041903
5	Capscrew – R/V Cover	5	920351	28	Capscrews – Bearing Cover	12	920491
5A	Capscrew w / Hole – R/V Cover	1	920348	35	Key – Shaft, Square	1	<sup>1,2</sup> 909149
7	Spring Guide – R/V	1	426355	42	Flange – 4" NPT	1-2	651900
8	Spring, Steel – R/V (35-50 psi)	1	476303	42A	Flange – 4" Weld	2	<sup>1</sup> 381903
	Spring, Steel – R/V (51-75 psi)		476310		<sup>1</sup> 920532		
	Spring, Steel – R/V (76-125 psi) (Std.)		476305				
9	Valve – R/V (Std.)	1	456315	72	O-Ring – Head (FKM)	2	<sup>1</sup> 702024
	Valve – R/V (Nickel Plated)		456300		O-Ring – Head (Buna-N)		<sup>1</sup> 702023
10	Gasket – R/V Cover	1	<sup>1</sup> 531903				O-Ring – Head (PTFE)
12	Cylinder	1	021915	73	Gage Plug	2	908198
13	Rotor & Shaft – Single Ended	1-0	261950	76	Grease Fitting	2	317815
13A	Rotor & Shaft – Double Ended	0-1	261921	76A	Grease Relief Fitting	2	701992
14	Vane – Duravane	6	<sup>1</sup> 091924	186	Shaft Protector	0-1	341902
20	Head	2-1	031908	77	Push Rod	3	<sup>1</sup> 121905
20A	Head for Hydraulic Adapter	0-1	031910	88	Gasket – R/V Cap	1	<sup>1</sup> 533908
21	Capscrews – Head	24	920510	104	Grease Seal	1-2	<sup>1</sup> 904190
24	Ball Bearing	2	<sup>1</sup> 903182		Kit – Maintenance, FKM		898959
24A	Lock Collar – Bearing	2	<sup>1</sup> 721937		Kit – Maintenance, Buna-N		898953
24B	Setscrew	4	<sup>1</sup> 922104				

<sup>1</sup> Included in Maintenance Kit

<sup>2</sup> Maintenance Kit also includes Woodruff Key 909135 used previously.

**MECHANICAL SEALS – TXDI4B MODELS**

REF. NO.	PART NAME	PARTS PER PUMP	PART NO.
153	Mechanical Seal Complete - Cast Iron Stationary Seat, Carbon Seal Face w/ FKM O-Rings. (IVCV)	2	1 336982
	Mechanical Seal Complete – Cast Iron Stationary Seat, Carbon Seal Face, Buna-N O-Rings. (INCN)		1 336958
	Mechanical Seal Complete - Cast Iron Stationary Seat, Bronze Seal Face w/ FKM O-Rings. (IVBV)		336984
153D	O-Ring - Stationary (FKM)	2	711932
	O-Ring - Stationary (Buna-N)		701945
153L	O-Ring - Rotating (FKM)	2	701967
	O-Ring - Rotating (Buna-N)		701933



<sup>1</sup> Included in Maintenance Kit

\*\* PTFE Rotating Seal Ring is not available as a separate part.

**OPTIONAL HYDRAULIC MOTOR ADAPTER**

REF. NO.	PART NAME	PARTS PER PUMP	PART NO.
	Hydraulic Motor Adapter Kit		895144
26A	O-Ring – Hydraulic Motor Adapter	1	386950
28A	Capscrew – Hydraulic Motor Adapter / Head	4	920663
34	Coupling w/ setscrew – straight key Hydraulic motor	1	906915
35	Key – Coupling	1	909149
76	Grease fitting	1	317815
76A	Grease Relief fitting	1	701992
135	Hydraulic Motor Adapter – SAE A Flange	1	041908
135 A	Capscrew – Adapter / Motor	2	920508

