

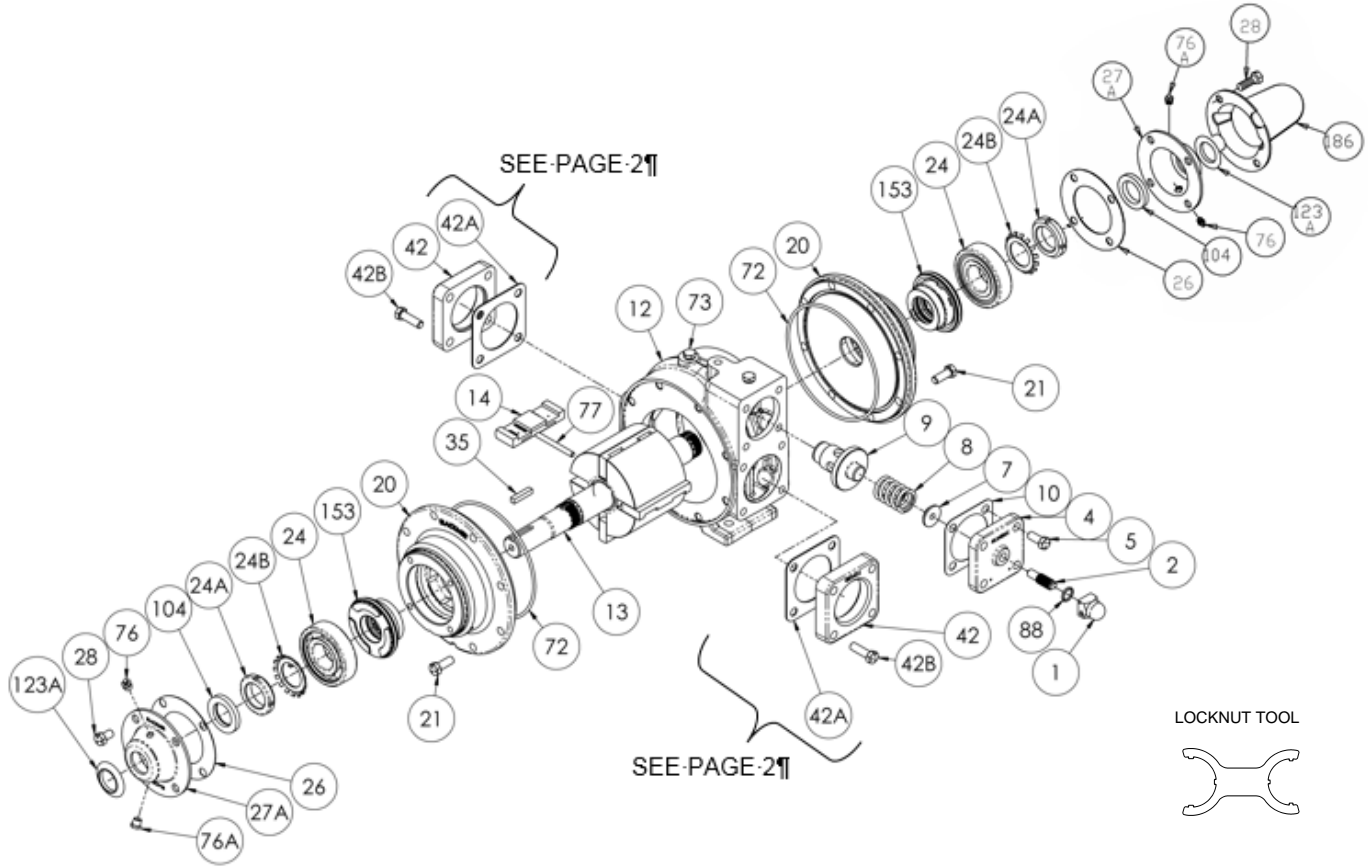
BLACKMER PARTS LIST

PUMP MODELS: TXDI2A (Double Ended Shafts - Inline)

Keep with Instructions 201-A00 for Installation, Operation and Maintenance

961416 **PARTS LIST**
Page 1 of 2 **201-A06**

Section 201
Effective July 2016
Replaces New



Ref. No.	Description	Parts Per Pump	Part No.	Ref. No.	Description	Parts Per Pump	Part No.
1	Cap – Relief Valve (R/V)	1	411453	24B	Lock washer - Bearing	2	903522
2	Adjusting Screw – R/V	1	431401	26	Gasket – Bearing Cover	2	¹ 381406
4	Cover – R/V	1	411401	27A	Bearing Cover	2	041431
5	Capscrew – R/V Cover	3	920316	28	Capscrews – Bearing Cover	8	920285
5A	Capscrew w / Hole – R/V Cover	1	920310	35	Key – Shaft Square	1	¹ 909209
7	Spring Guide – R/V	1	423955	42 –	Flanges, Flange Gaskets / O-rings, and Flange Capscrews		See Backside
8	Spring – R/V (36-50 psi)	1	471415	42C			
	Spring – R/V (51-75 psi)		471420	72	O-Ring – Head (FKM)	¹ 701914	
	Spring – R/V (76-110 psi) (Std.)		471425		O-Ring – Head (Buna-N)	¹ 701947	
	Spring – R/V (111-125 psi)		471428	73	Gage Plug	2	908198
9	Valve – R/V ⁵	1	451417	76	Grease Fitting	2	317815
	Valve – R/V (Ni Plated)		451415	76A	Grease Relief Fitting	2	701992
10	Gasket – R/V Cover	1	¹ 531403	77	Push Rod	2	¹ 123905
12	Cylinder	1	02143	88	Gasket – R/V Cap	1	¹ 701981
13A	Rotor & Shaft – Double Ended	1	² 261411	104	Grease Seal	1 - 2	¹ 331918
14	Vane – Duravane	4	¹ 091419	123A	Dirt Shield	1 - 2	¹ 701480
20	Head (Std.)	2	031425	186	Shaft Protector	0 - 1	341601
	Head with Drain		031426	186	Shaft Protector	0 - 1	341601
21	Capscrews – Head	16	920331		Tool - Locknut		903091
24	Ball Bearing	2	¹ 903156		Maintenance Kit, FKM		898956
24A	Locknut - Bearing	2	903521		Maintenance Kit, Buna		898950

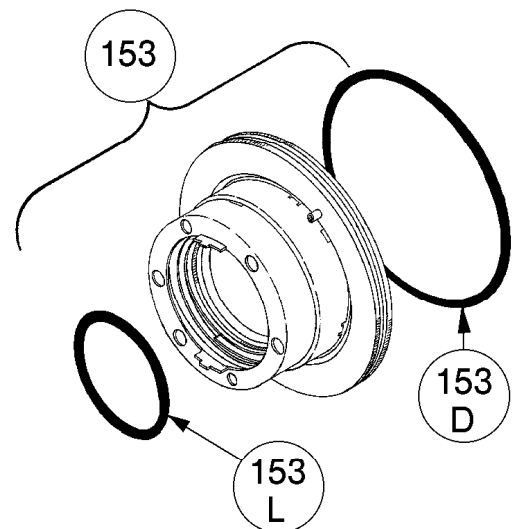
¹ Included in Maintenance Kit

² Includes 24A & 24B

MECHANICAL SEALS

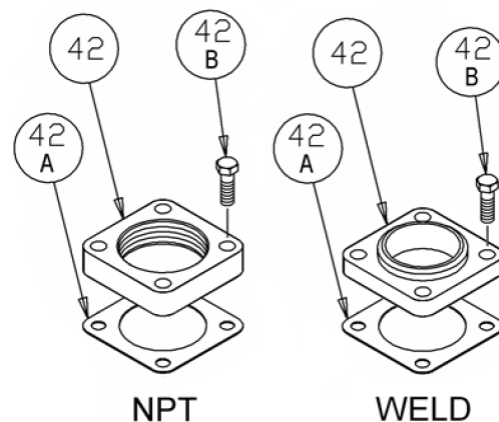
REF. NO.	PART NAME	PARTS PER PUMP	PART NO.
153	Mechanical Seal Complete - Cast Iron Stationary Seat, FKM O-Rings, Carbon Seal Face. (IVCV)	2	¹ 331655
	Mechanical Seal Complete - Cast Iron Stationary Seat, Carbon Seal Face, Buna-N O-Rings. (INCN)		¹ 331601
153D	O-Ring – Stationary (FKM)	2	701921
	O-Ring – Stationary (Buna-N)		701934
153L	O-Ring – Rotating (FKM)	2	701980
	O-Ring – Rotating (Buna-N)		701922

¹ Included in Maintenance Kit



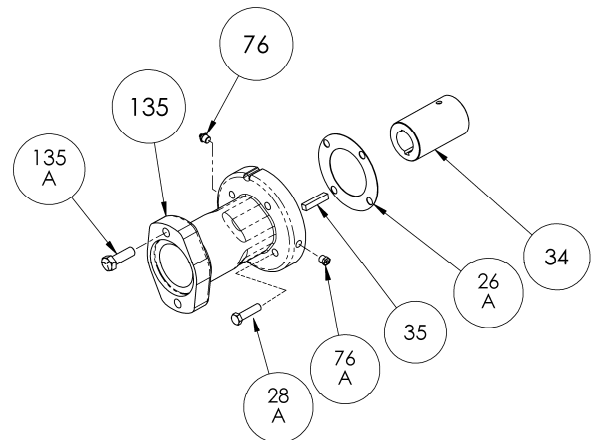
FLANGES

REF. NO.	PART NAME	PARTS PER PUMP	PART NO.
42	Flange – 2" NPT	1 – 2	651411
	Flange – 2" Weld		654405
42A	Gasket – Flange, NPT and Weld	0 – 2	¹ 381421
42B	Capscrews – 2" NPT Flange	4 – 8	920351



OPTIONAL HYDRAULIC MOTOR ADAPTER

REF. NO.	PART NAME	PARTS PER PUMP	PART NO. 1-¼" Hyd Motor Shaft	PART NO. 1" Hyd Motor Shaft	PART NO. 1" H-Series Hyd Motor Shaft
See Below	Hydraulic Motor Adapter Kit *	See Below	891458	891205	891464
26A	Gasket – Hydraulic Motor Adapter	1	383940	383940	383940
28A	Capscrew – Hydraulic Motor Adapter / Head	4	920369	920369	920369
34	Coupling w/ Setscrew – for straight key hyd. motor shaft	1	906967	906966	906966
35	Key – Coupling	1	909184	N/A	N/A
76	Grease Fitting	1	317815	317815	317815
76A	Grease Relief Fitting	1	701992	701992	701992
135	Hydraulic Motor Adapter – SAE A Flange	1	041828	041827	041807
135A	Capscrew – Adapter / Motor	2	920510	920510	920510



* Hydraulic Motor Adapter Kits shipped prior to Spring 2002 were of a two piece design – refer to page 206-B00.



1809 Century Avenue, Grand Rapids, Michigan 49503-1530, U.S.A.
 Telephone: (616) 241-1611 / Fax: (616) 241-3752
 E-Mail: blackmer@blackmer.com / Internet: www.blackmer.com

Parts List 201-A06
 Page 2 of 2