

BLACKMER PARTS LIST

960286
Page 1 of 2

PARTS LIST
201-A05

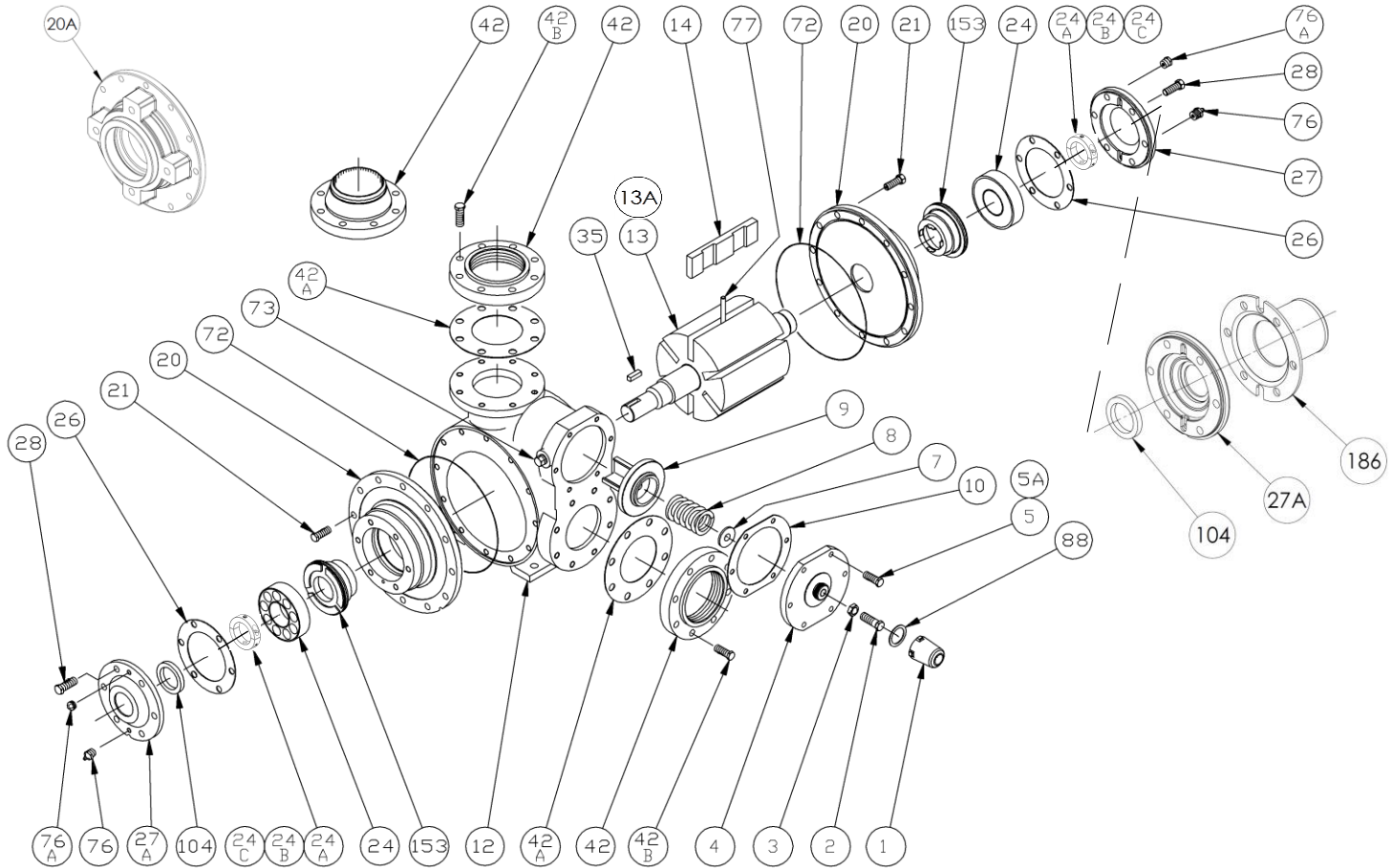
PUMP MODEL: TXD4B (Double Ended Shafts) TX4B (Single Ended Shafts)

Keep with Instructions 201-A00 for Installation, Operation and Maintenance

Section 201

Effective Feb 2023

Replaces Jan 2012



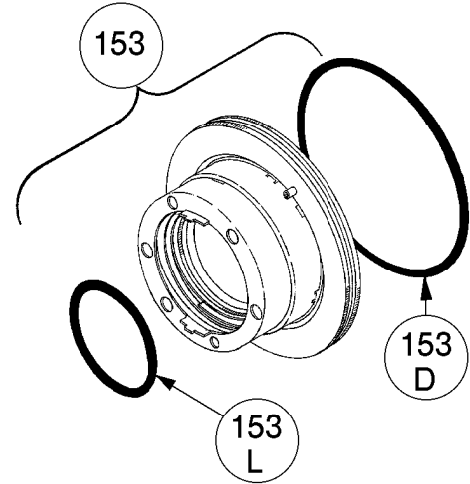
Ref. No.	Description	Parts Per Pump	Part No.	Ref. No.	Description	Parts Per Pump	Part No.
1	Cap – Relief Valve (R/V)	1	413957	24C	Jam Nut	4	¹ 922923
2	Adjusting Screw – R/V	1	436307	26	Gasket – Bearing Cover	2-1	¹ 386950
3	Locknut – Adjusting Screw	1	436355	27	Bearing Cover – Outboard	1-0	041905
4	Cover – R/V	1	411904	27A	Bearing Cover – Inboard	1-2	041903
5	Capscrew – R/V Cover	5	920351	28	Capscrews – Bearing Cover	12	920491
5A	Capscrew w / Hole – R/V Cover	1	920348	35	Key – Shaft, Square	1	^{1,2} 909149
7	Spring Guide – R/V	1	426355	42	Flange – 4" NPT	1-2	651900
8	Spring, Steel – R/V (35-50 psi)	1	476303	42	Flange – 4" Weld		651905
	Spring, Steel – R/V (51-75 psi)		476310	42A	Gasket – Flange	2	¹ 381903
	Spring, Steel – R/V (76-125 psi) (Std.)		476305	42B	Capscrew – Flange	16	920532
9	Valve – R/V (Std.)	1	456315	72	O-Ring – Head (FKM)	2	¹ 702024
	Valve – R/V (Nickel Plated)		456300	72	O-Ring – Head (Buna-N)		¹ 702023
10	Gasket – R/V Cover	1	¹ 531903	72	O-Ring – Head (PTFE)		
12	Cylinder	1	021906	73	Gage Plug	2	908198
13	Rotor & Shaft – Single Ended	1-0	261950	76	Grease Fitting	2	317815
13A	Rotor & Shaft – Double Ended	0-1	261921	76A	Grease Relief Fitting	2	701992
14	Vane – Duravane	6	¹ 091924	186	Shaft Protector	0-1	341902
20	Head	2-1	031908	77	Push Rod	3	¹ 121905
20A	Head for Hydraulic Adapter	0-1	031910	88	Gasket – R/V Cap	1	¹ 533908
21	Capscrews – Head	24	920510	104	Grease Seal	1-2	¹ 904190
24	Ball Bearing	2	¹ 903182		Kit – Maintenance, FKM		898959
24A	Lock Collar – Bearing	2	¹ 721937		Kit – Maintenance, Buna-N		898953
24B	Setscrew	4	¹ 922104				

¹ Included in Maintenance Kit

² Maintenance Kit also includes Woodruff Key 909135 used previously.

MECHANICAL SEALS – TXD4B MODELS

REF. NO.	PART NAME	PARTS PER PUMP	PART NO.
153	Mechanical Seal Complete - Cast Iron Stationary Seat, Carbon Seal Face w/ FKM O-Rings. (IVCV)	2	1 336982
	Mechanical Seal Complete – Cast Iron Stationary Seat, Carbon Seal Face, Buna-N O-Rings. (INCN)		1 336958
	Mechanical Seal Complete - Cast Iron Stationary Seat, PTFE O-Ring, Carbon Seal Face w/ PTFE Seal Ring. (IACT)		331973
	Mechanical Seal Complete - Cast Iron Stationary Seat, Bronze Seal Face w/ FKM O-Rings. (IVBV)		336984
153D	O-Ring - Stationary (FKM)	2	711932
	O-Ring - Stationary (Buna-N)		701945
	O-Ring - Stationary (PTFE)		702090
153L	O-Ring - Rotating (FKM)	2	701967
	O-Ring - Rotating (Buna-N)		701933
	Seal Ring - Rotating (PTFE)		**



¹ Included in Maintenance Kit

** PTFE Rotating Seal Ring is not available as a separate part.

OPTIONAL HYDRAULIC MOTOR ADAPTER

REF. NO.	PART NAME	PARTS PER PUMP	PART NO.
	Hydraulic Motor Adapter Kit		895144
26A	O-Ring – Hydraulic Motor Adapter	1	386950
28A	Capscrew – Hydraulic Motor Adapter / Head	4	920663
34	Coupling w/ setscrew – straight key Hydraulic motor	1	906915
35	Key – Coupling	1	909149
76	Grease fitting	1	317815
76A	Grease Relief fitting	1	701992
135	Hydraulic Motor Adapter – SAE A Flange	1	041908
135A	Capscrew – Adapter / Motor	2	920508

