

BLACKMER GEAR PUMP

PARTS LIST
MODELS: V2-133

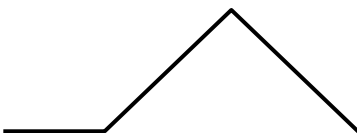
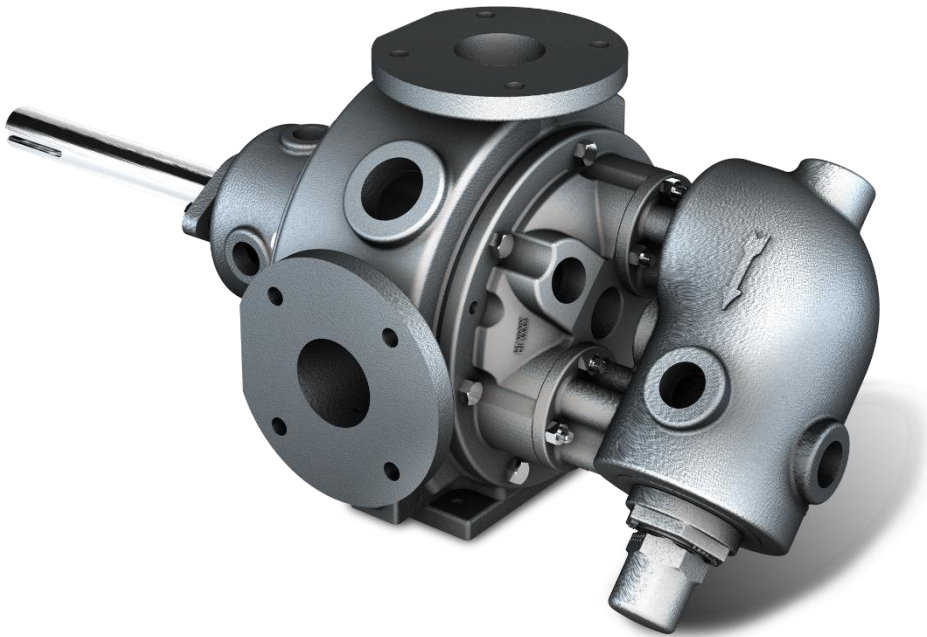
Keep with Instructions 1903-a00 for Installation, Operation and Maintenance

960725

INSTRUCTIONS NO. 1903-a02

Section	1903
Effective	December 2022
Replaces	October 2022

V Series Internal Gear Pumps



Where Innovation Flows

Blackmer



1903-a02

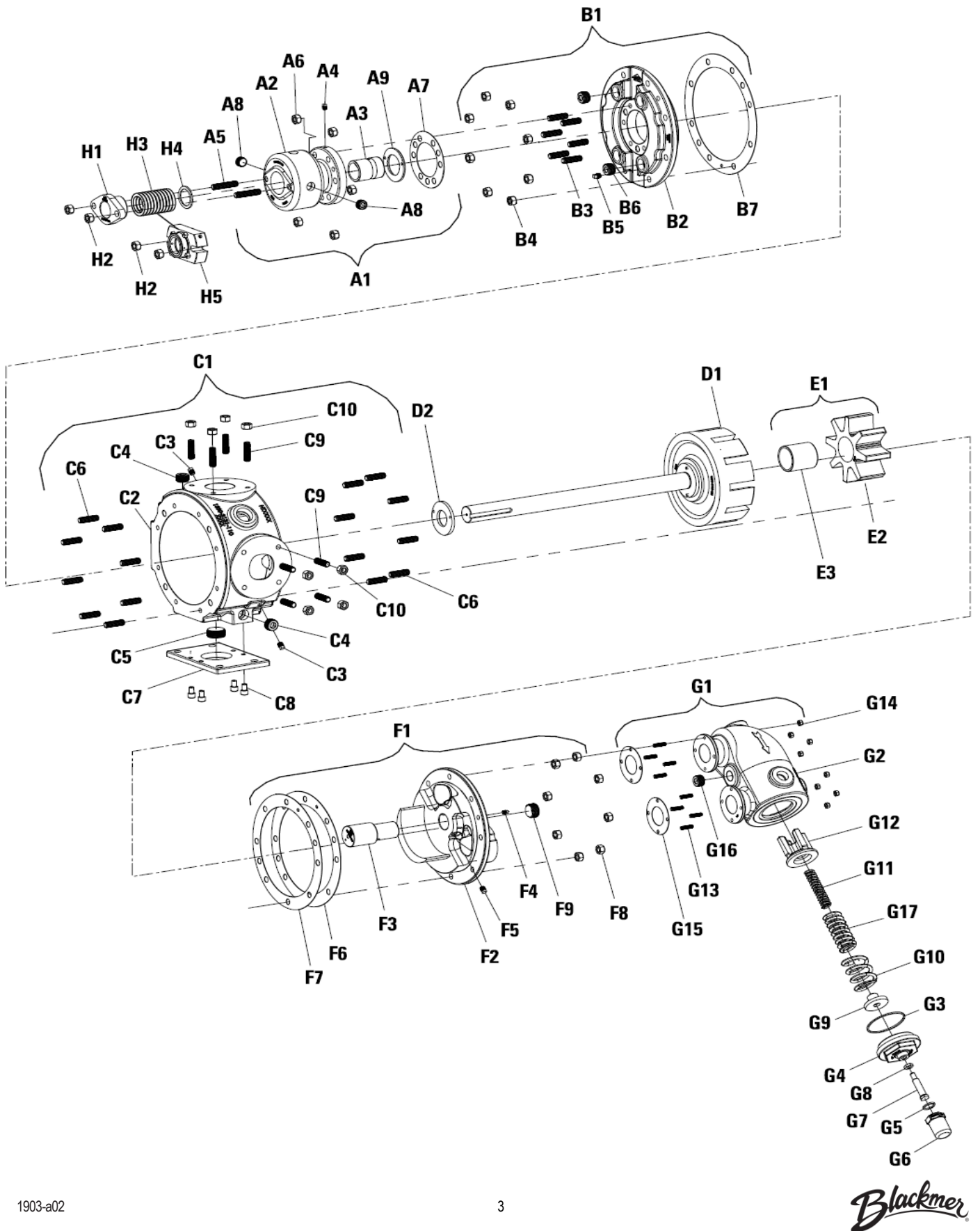
Always read the most current version of this manual before performing any work on or around this pump. The most current version of this manual is freely available on the web at www.blackmer.com

Blackmer pumps are specifically configured for your unique application conditions. Those application conditions and the details of the pump configuration were documented during the ordering process. Keep that information available in a safe place, as it may be needed when troubleshooting pump problems or when ordering spare parts or repairs.

Blackmer Gear Pumps are covered by one or more of the following patents: U.S. Patent Nos. 7549205, 7137793, 7183683, 8,608,465B2 Australian Patent No. AU2005233534B2; Korean Patent No. 10-2006-7023162; Mexican Patent No. PA/2006/011436, Russian Patent No. 2006138540(041952); China Patent No. ZL 201280031563.6; and other patents pending.

EXPLODED VIEW AND PARTS LISTING

V2-133



Parts Listing

Item	Description	V2-133	Quantity	Material
A1	ROTOR BEARING SLEEVE, ASM, JACKETED, V-133/254, CAST IRON (INCLUDES A2 THRU A9, B3, H2)	1330-2040-110	1	CAST IRON
A2	ROTOR BEARING SLEEVE, JACKETED, V-133/254, CAST IRON	1330-2140-110	1	CAST IRON
A3	BUSHING, RBS, V-133/254, BRONZE	1330-2840-320	1	BRONZE
A4	PLUG, PIPE, 1/8" NPT, CARBON STEEL/ZINC PLATED	PLUG-013NSH-230	1	STEEL
A5	STUD, DOUBLE END, 5/8"-11 X 3", CARBON STEEL/ZINC PLATED	T09C625C00WA2A2	2	STEEL
A6	NUT, HEX, 5/8"-11, CARBON STEEL/ZINC PLATED	N04C625562WA2A2	6	STEEL
A7	GASKET, RBS, V-133/254, INTERFACE TS-9003	1330-2930-950	1	INTERFACE TS-9003
A8	PLUG, PIPE, 3/4" NPT, CARBON STEEL/ZINC PLATED	PLUG-075NSH-230	2	STEEL
A9	BUSHING, STATIONARY THRUST, V-133/254, BRONZE	1330-4831-320	1	BRONZE
B1	REAR PLATE, ASM, JACKETED, V-133, CAST IRON (INCLUDES B2 THRU B7, C6, A6, A7, H2)	1330-3300-110	1	CAST IRON
B2	REAR PLATE, JACKETED, V-133, CAST IRON	1330-3330-110	1	CAST IRON
B3	STUD, DOUBLE END, 5/8"-11 X 2-1/4", CARBON STEEL/ZINC PLATED	T09C625B25WA2A2	6	STEEL
B4	NUT, HEX, 5/8"-11, CARBON STEEL/ZINC PLATED	N04C625562WA2A2	8	STEEL
B5	PLUG, PIPE, 1/4" NPT, CARBON STEEL/ZINC PLATED	PLUG-025NSH-230	1	STEEL
B6	PLUG, PIPE, 1" NPT, CARBON STEEL/ZINC PLATED	PLUG-100NSH-230	2	STEEL
B7	GASKET, BRACKET/HEAD, G1-133/222, V-133, .015, INTERFACE TS-9003	1330-6900-950	1	INTERFACE TS-9003
C1	CASE, ASM, JACKETED, V-133, 3" ANSI, CAST IRON (INCLUDES C2 THRU C10, F6, F7, F8, B4, B7)	1330-3031-110	1	CAST IRON
C2	CASE, JACKETED, G/V-133, 3" ANSI, CAST IRON	1330-3131-110	1	CAST IRON
C3	PLUG, PIPE, 1/4" NPT, CARBON STEEL/ZINC PLATED	PLUG-025NSH-230	2	STEEL
C4	PLUG, PIPE, 1" NPT, CARBON STEEL/ZINC PLATED	PLUG-100NSH-230	2	STEEL
C5	PLUG, PIPE, 1-1/2" NPT, CARBON STEEL/ZINC PLATED	PLUG-150NSH-230	1	STEEL
C6	STUD, DOUBLE END, 5/8"-11 X 2-1/4", CARBON STEEL/ZINC PLATED	T09C625B25WA2A2	16	STEEL
C7	FOOT, CASE, V-133, CARBON STEEL	1330-3400-230	1	STEEL
C8	SCREW, CAP, HEX SOCKET HEAD, 1/2"-13 X 3/4", CARBON STEEL/ZINC PLATED	S14C500500WA2A2	4	STEEL
C9	STUD, DOUBLE END, 5/8"-11 X 2-3/4", CARBON STEEL/ZINC PLATED	T09C625B75WA2A2	8	STEEL
C10	NUT, HEX, 5/8"-11, CARBON STEEL/ZINC PLATED	N04C625562WA2A2	8	STEEL
D1	ROTOR/SHAFT, ASM, V-133, A, DUCTILE IRON/CARBON STEEL	1330-4040-121	1	DUCTILE IRON/STEEL
	ROTOR/SHAFT, ASM, V-133, B, DUCTILE IRON/CARBON STEEL	1330-4041-121	1	DUCTILE IRON/STEEL
	ROTOR/SHAFT, ASM, V-133, C, DUCTILE IRON/CARBON STEEL	1330-4042-121	1	DUCTILE IRON/STEEL
D2	BUSHING, ROTATING THRUST, V-133/254, HARDENED STEEL	1330-4830-370	1	HARDENED ALLOY STEEL
E1	GEAR, IDLER, ASM, G/V-133, DUCTILE IRON/BRONZE	1330-5010-121	1	DUCTILE/BRONZE
E2	GEAR, IDLER, G/V-133, DUCTILE IRON	1330-5100-121	1	DUCTILE
E3	BUSHING, IDLER, G/V-133/254, BRONZE	1330-5800-320	1	BRONZE
F1	HEAD, ASM, G/V-133, CAST IRON/HARDENED STEEL (INCLUDES F2 THRU F8, C6, G13 THRU G15)	1330-6015-110	1	CAST IRON/STEEL
	HEAD, ASM, JACKETED, G/V-133, CAST IRON/HARDENED STEEL (INCLUDES F2 THRU F8, G13 THRU G15)	1330-6030-110	1	CAST IRON/STEEL
F2	HEAD, G/V-133, CAST IRON	1330-6110-110	1	CAST IRON
	HEAD, JACKETED, G/V-133, CAST IRON	1330-6130-110	1	CAST IRON
F3	PIN, IDLER, G/V-133/254, HARDENED STEEL	1330-6200-231	1	HARDENED STEEL
F4	PLUG, PIPE, 1/8" NPT, CARBON STEEL/ZINC PLATED	PLUG-013NSH-230	1	STEEL
F5	PLUG, PIPE, 1/4" NPT, CARBON STEEL/ZINC PLATED	PLUG-025NSH-230	1	STEEL
F6	GASKET, BRACKET/HEAD, G1-133/222, V-133, .015, INTERFACE TS-9003	1330-6900-950	2	INTERFACE TS-9003
F7	GASKET, BRACKET, G1-133/222, V-133, .005,	1330-6901-955	1	DUPONT NOMEX 410
F8	NUT, HEX, 5/8"-11, CARBON STEEL/ZINC PLATED	N04C625562WA2A2	8	STEEL
F9	PLUG, PIPE, 1-1/4" NPT, CARBON STEEL/ZINC PLATED	PLUG-125NSH-230	1	STEEL
G1	VALVE, COVER, ASM, G1-133/222, V-133, STAINLESS STEEL/CARBON STEEL (INCLUDES G2, G13 THRU G15)	1330-7000-230	1	STAINLESS STEEL/STEEL
	VALVE, ASM, G1-133/222, V-133, 50 PSI, CAST IRON (INCLUDES G2 THRU G9, G11 THRU G16)	1330-7001-110	1	CAST IRON
	VALVE, ASM, G1-133/222, V-133, 75 PSI, CAST IRON (INCLUDES G2 THRU G9, G12 THRU G17)	1330-7002-110	1	CAST IRON
	VALVE, ASM, JACKETED, G1-133/222, V-133, 50 PSI, CAST IRON (INCLUDES G2 THRU G9, G11 THRU G16)	1330-7031-110	1	CAST IRON
	VALVE, ASM, JACKETED, G1-133/222, V-133, 75 PSI, CAST IRON (INCLUDES G2 THRU G9, G12 THRU 17)	1330-7032-110	1	CAST IRON
G2	VALVE, BODY, G1-133/222, V-133, CAST IRON	1330-7100-110	1	CAST IRON
	VALVE, BODY, JACKETED, G1-133/222, V-133, CAST IRON	1330-7130-110	1	CAST IRON
	VALVE, COVER, G1-133/222, V-133, STAINLESS STEEL	1330-7101-250	2	STAINLESS STEEL/STEEL

Item	Description	V2-133	Quantity	Material
G3	GASKET, VALVE, BONNET, G1-133/222, V-133/254/423, KLINGERSIL C-4401	1330-7910-951	1	KLINGERSIL C-4401
G4	VALVE, BONNET, G1-133/222, V-133/254/423, CAST IRON	1330-7200-110	1	CAST IRON
G5	GASKET, VALVE, CAP, G1-133/222, V-133/254/423, KLINGERSIL C-4401	1330-7920-951	1	KLINGERSIL C-4401
G6	VALVE, CAP, G1-133/222, V-133/254/423, CAST IRON	1330-7300-110	1	CAST IRON
G7	VALVE, ADJ SCREW, G1-133/222, V-133/254/423, STAINLESS STEEL	1330-7700-255	1	STAINLESS STEEL
G8	VALVE, LOCK NUT, G1-133/222, V-133/254/423, STAINLESS STEEL	1330-7710-255	1	STAINLESS STEEL
G9	VALVE, SPRING GUIDE, G1-133/222, V-133/254/423, STAINLESS STEEL	1330-7500-250	1	STAINLESS STEEL
G10	VALVE, SPRING, V-133 (75 PSI)	1330-7601-250	1	STAINLESS STEEL
G11	VALVE, SPRING, V-133 (50 PSI)	1330-7600-250	1	STAINLESS STEEL
G12	VALVE, POPPET, G1-133/222, V-133/254/423, CAST IRON	1330-7400-110	1	CAST IRON
G13	STUD, DOUBLE END, 3/8"-16 X 1-1/2", CARBON STEEL/ZINC PLATED	T09C375A50WA2A2	8	STEEL
G14	NUT, HEX, 3/8"-16, CARBON STEEL/ZINC PLATED	N04C375375WA2A2	8	STEEL
G15	GASKET, VALVE, G1-133/222, V-133, INTERFACE TS-9003	1330-7900-950	2	INTERFACE TS-9003
G16	PLUG, PIPE, 3/4" NPT, CARBON STEEL/ZINC PLATED	PLUG-075NSH-230	3	STEEL
G17	VALVE, SPRING, G1-133/222 (80/130/150/200), V-133 (80/130/200 PSI), V-254 (100/140 PSI), V-423 (125 PSI)	1330-7601-250	1	STAINLESS STEEL
H1	GLAND, PACKING, V-133/254, CAST IRON	2540-8230-110	1	CAST IRON
H2	NUT, HEX, CENTERLOCK, 5/8"-11	N04C625562CL0A1	2	STAINLESS STEEL
H3	PACKING, ASM, V-133/254, 10 RINGS, PTFE-GRAPHITE	2540-8100-925K	10	PTFE-GRAPHITE
	PACKING, ASM, V-133/254, 10 RINGS, WEDGE PTFE-GRAPHITE	2540-8102-932	10	VARIOUS
H4	WASHER, PACKING RETAINING, V-133/254, CARBON STEEL	2540-8150-230	1	STEEL
H5	SEAL, TRIPLE LIP SEAL, V-133/254, SIL CARBIDE/FFKM/PTFE	1330-8002-929	1	TEFLON/SIC/FFKM
	SEAL, TRIPLE LIP SEAL, V-133/254, SIL CARBIDE/TFE/P/PTFE	1330-8002-933	1	TEFLON/SIC/TFE/P

Parts Kits

Item	Description	V2-133	Quantity	Material
X1	V2-133 Rebuild Kit (A3, A6, A7, A9, B4, B7, C10, D2, E3, F3, F6, F7, F8, G14, G15, H2)	1330-9062-110	1	Bronze Bushings Interface Gaskets

PSG Grand Rapids
1809 Century Avenue SW
Grand Rapids, MI 49503 USA
P: +1 (616) 241-1611 • F: +1 (616) 241-3752
info@blackmer.com
blackmer.com



Where Innovation Flows

PSG® reserves the right to modify the information and illustrations contained in this document without prior notice. This is a non-contractual document. 05-2018