

BLACKMER GEAR PUMP

PARTS LIST

MODELS: G2-55 and G2-69

Keep with Instructions 1902-a00 for Installation, Operation and Maintenance

960717

INSTRUCTIONS NO. 1902-a04

Section

1902

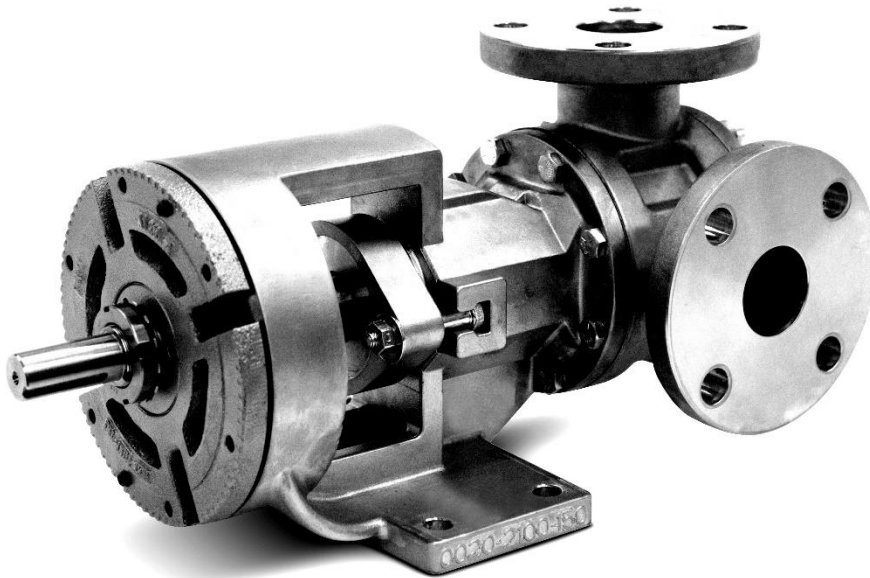
Effective

October 2022

Replaces

February 2022

G Series Sealed Internal Gear Pumps



Where Innovation Flows

Blackmer

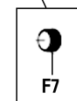
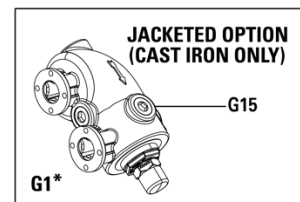
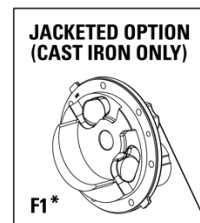
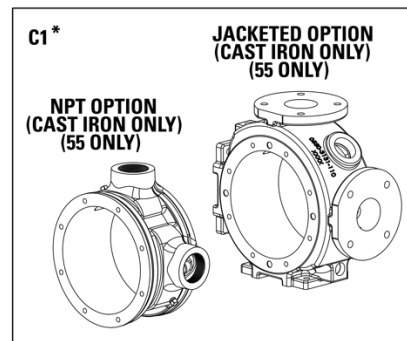
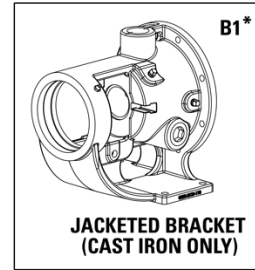
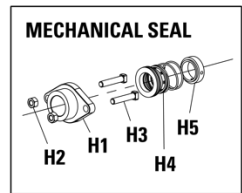
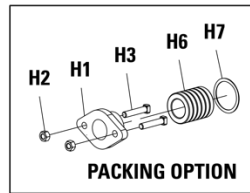
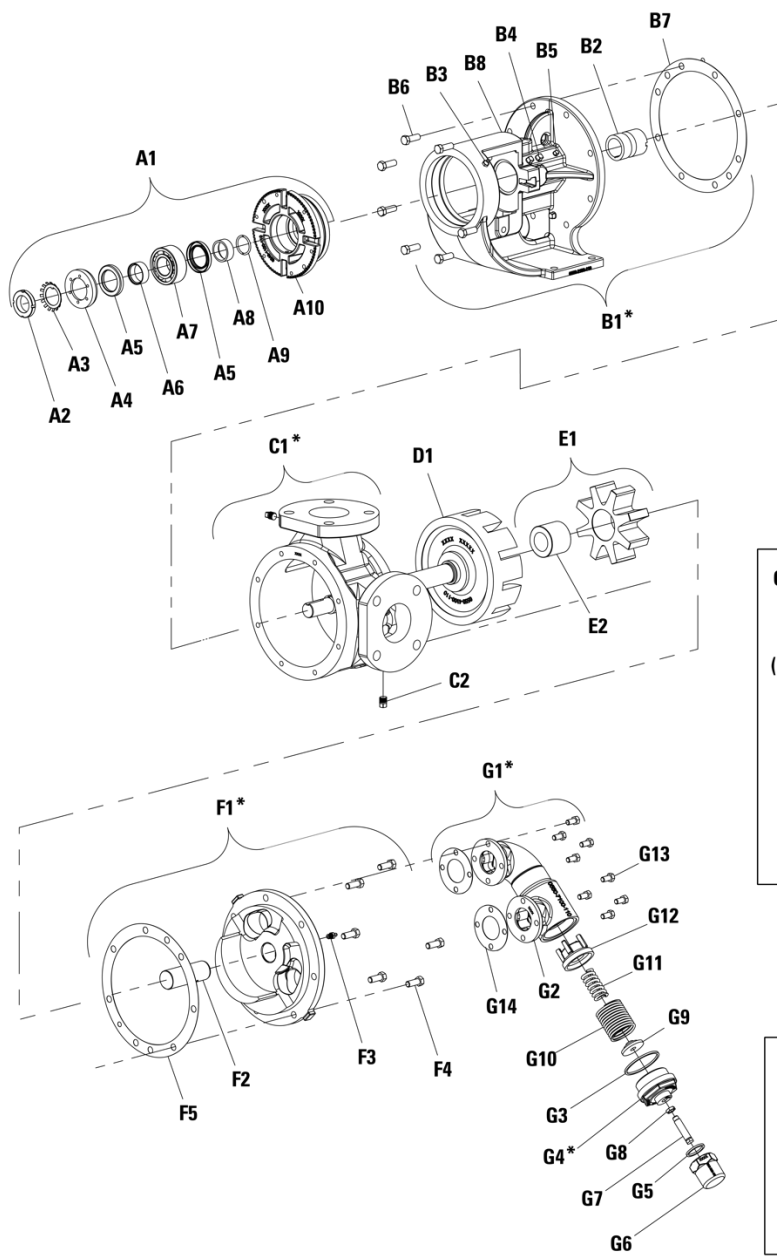
Always read the most current version of this manual before performing any work on or around this pump. The most current version of this manual is freely available on the web at www.blackmer.com

Blackmer pumps are specifically configured for your unique application conditions. Those application conditions and the details of the pump configuration were documented during the ordering process. Keep that information available in a safe place, as it may be needed when troubleshooting pump problems or when ordering spare parts or repairs.

Blackmer Gear Pumps are covered by one or more of the following patents: U.S. Patent Nos. 7549205, 7137793, 7183683, 8,608,465B2 Australian Patent No. AU2005233534B2; Korean Patent No. 10-2006-7023162; Mexican Patent No. PA/2006/011436, Russian Patent No. 2006138540(041952); China Patent No. ZL 201280031563.6; and other patents pending.

EXPLODED VIEW AND PARTS LISTING

G2-55and G2-69



Parts Listing

CAST IRON

Item	Description	G2-55	G2-69	Qty.	Material
A1	HOUSING, BEARING ASSEMBLY (INCLUDES A2 THRU A13)	0240-1000-110		1	CAST IRON
A2	LOCKNUT, SHAFT	0240-1710-230		1	STEEL
A3	LOCKWASHER, SHAFT	0240-1720-230		1	STEEL
A4	ENDCAP, BEARING HOUSING	0240-1200-230		1	STEEL
A5	LIP SEAL, BEARING HOUSING	0240-1900-900		2	BUNA-N
A6	COLLAR, OUTER BEARING SPACER	0240-1300-230		1	STEEL
A7	BEARING	0240-1400-230		1	STEEL
A8	COLLAR, INNER BEARING SPACER	0240-1301-230		1	STEEL
A9	SEMI-ROUND RINGS	0240-1310-230		2	STEEL
A10	HOUSING, BEARING	0240-1100-110		1	CAST IRON
A11	SET SCREW (3/8"-16 X 1/2"), BEARING HOUSING (NOT SHOWN)	S57U375500WA6L7		2	STEEL
A12	SET SCREW (5/16"-18 X 5/16"), END CAP (NOT SHOWN)	S57U313313WA6L7		2	STEEL
A13	INSERT, BEARING HOUSING (NOT SHOWN)	0020-1790-400		2	NYLON
B1	BRACKET, ASSEMBLY (INCLUDES B2 THRU B8)	0550-2000-110		1	CAST IRON/CARBON GRAPHITE
		0550-2010-110		1	CAST IRON/BRONZE
	BRACKET, JACKETED, ASSEMBLY (INCLUDES B2 THRU B8)	0550-2400-110		1	CAST IRON/CARBON GRAPHITE
B2	BUSHING, BRACKET	0550-2410-110		1	CAST IRON/BRONZE
		0240-2800-300		1	CARBON GRAPHITE
B3	FITTING, GREASE (1/8" NPT)	0240-2800-320		1	BRONZE
		GRSF-013NST-230		1	STEEL
B4	PLUG, PIPE (1/4" NPT)	PLUG-025NSH-230		3	STEEL
B5	PLUG, PIPE (1/8" NPT) (USED WITH LUBRICATED BUSHING)	PLUG-013NSH-230		1	STEEL
	FITTING, GREASE PIN (1/8" NPT) (USED WITH NON-LUBRICATED BUSHING)	GRSF-013NST-230		1	STEEL
B6	SCREWS (7/16"-14 X 1-1/8"), BRACKET	S01C438A12WA2A2		8	STEEL
B7	GASKET, BRACKET	0550-2900-950		1	INTERFACE TS-9003
B8	BRACKET	0550-2100-110		1	CAST IRON
	BRACKET, JACKETED	0550-2130-110		1	CAST IRON
C1	CASE, 2" NPT KIT (INCLUDES B6, B7, C2, F4, F5)	0550-3000-110	N/A	1	CAST IRON
	CASE, 2.5" ANSI KIT (INCLUDES B6, B7, C2, F4, F5)	0550-3001-110	N/A	1	CAST IRON
	CASE, 3" ANSI KIT (INCLUDES B6, B7, C2, F4, F5)	N/A	0690-3001-110	1	CAST IRON
	CASE, JACKETED, 2.5" ANSI KIT (INCLUDES C2)	0550-3031-110	N/A	1	CAST IRON
C2	PLUG, PIPE (1/4" NPT)	PLUG-025NSH-230	PLUG-025NSH-230	2	STEEL
	PLUG, PIPE (1/8" NPT)	PLUG-013NSH-230	PLUG-013NSH-230	2	STEEL
D1	ROTOR, ASSEMBLY (A/B CLEARANCE)	0550-4000-110	0690-4000-110	1	CAST IRON/STEEL
	ROTOR, ASSEMBLY (C CLEARANCE)	0550-4002-110	0690-4002-110	1	CAST IRON/STEEL
	ROTOR, ASSEMBLY (D CLEARANCE)	0550-4003-110	0690-4003-110	1	CAST IRON/STEEL
	ROTOR, ASSEMBLY (E CLEARANCE)	0550-4004-110	0690-4004-110	1	CAST IRON/STEEL
	ROTOR, ASSEMBLY (F CLEARANCE)	0550-4004-130	0690-4004-130	1	STEEL
E1	GEAR, IDLER ASSEMBLY	0550-4005-130	0690-4005-130	1	STEEL
		0550-5000-110	0690-5000-110	1	CAST IRON/CARBON GRAPHITE
E2	BUSHING, IDLER	0550-5010-110	0690-5010-110	1	CAST IRON/BRONZE
		0550-5800-300	0690-5800-300	1	CARBON GRAPHITE
F1	HEAD, ASSEMBLY KIT (INCLUDES F2 THRU F5, G13, G14)	0550-5800-320	0690-5800-320	1	BRONZE
	HEAD, JACKETED G2, ASSEMBLY KIT (INCLUDES F2 THRU F5, G13, G14)	0550-6010-110	0690-6010-110	1	CAST IRON/STEEL
F2	PIN, IDLER	0550-6033-110	0690-6033-110	1	CAST IRON / STEEL
F3	PLUG, PIPE (1/8" NPT) (USED WITH LUBRICATED BUSHING)	0550-6200-231	0690-6200-231	1	HARDENED STEEL
F3	FITTING, GREASE PIN (1/8" NPT) (USED WITH NON-LUBRICATED BUSHING)	PLUG-013NSH-230		1	STEEL
F4	CAPSCREW (7/16"-14 X 1-1/8"), HEAD	GRSF-013NST-230		1	STEEL
F5	GASKET, HEAD	S01C438A12WA2A2		7	STEEL
F7	PLUG, PIPE, 1" NPT, CARBON STEEL/ZINC PLATED	0550-6900-950		1	INTERFACE TS-9003
G1	VALVE, COVER ASSEMBLY (INCLUDES G2, G13 AND G14)	PLUG-100NSH-230		1	STEEL
	VALVE, ASSEMBLY-60 PSI (INCLUDES G2 THRU G14)	0550-7000-230		1	STEEL
	VALVE, ASSEMBLY-90 PSI (INCLUDES G2 THRU G14)	0550-7001-110		1	CAST IRON
	VALVE, ASSEMBLY-160 PSI (INCLUDES G2 THRU G14)	0550-7002-110		1	CAST IRON
	VALVE, ASSEMBLY-200 PSI (INCLUDES G2 THRU G14)	0550-7003-110		1	CAST IRON
	VALVE, JACKETED, ASSEMBLY-60 PSI (INCLUDES G2 THRU G14)	0550-7004-110		1	CAST IRON
	VALVE, JACKETED, ASSEMBLY-90 PSI (INCLUDES G2 THRU G14)	0550-7031-110		1	CAST IRON
	VALVE, JACKETED, ASSEMBLY-160 PSI (INCLUDES G2 THRU G14)	0550-7032-110		1	CAST IRON
	VALVE, JACKETED, ASSEMBLY-200 PSI (INCLUDES G2 THRU G14)	0550-7033-110		1	CAST IRON
	VALVE, JACKETED, ASSEMBLY-200 PSI (INCLUDES G2 THRU G14)	0550-7034-110		1	CAST IRON
G2	VALVE, BODY	0550-7100-110		1	CAST IRON
	VALVE, BODY, JACKETED	0550-7130-110		1	CAST IRON
	VALVE, COVER (NOT SHOWN)	0550-7101-250		2	STAINLESS STEEL

Item	Description	G2-55	G2-69	Qty.	Material
G3	VALVE, GASKET BONNET		0240-7910-951	1	KLINGERSIL® C-4401
G4	VALVE, BONNET		0240-7200-110	1	CAST IRON
G5	VALVE, GASKET CAP		0240-7920-951	1	KLINGERSIL® C-4401
G6	VALVE, CAP		0240-7300-110	1	CAST IRON
G7	VALVE, ADJUSTMENT SCREW		0240-7700-230	1	STEEL
G8	VALVE, LOCK NUT		0240-7710-230	1	STEEL
G9	VALVE, SPRING GUIDE		0240-7500-230	1	STEEL
G10	VALVE, SPRING LARGE (USED WITH 160 & 200 PSI VALVES)		0240-7602-250	1	STAINLESS STEEL
G11	VALVE, SPRING SMALL (USED WITH 60 PSI VALVES)		0240-7600-250	1	STAINLESS STEEL
	VALVE, SPRING SMALL (USED WITH 90 & 200 PSI VALVES)		0240-7601-250	1	STAINLESS STEEL
G12	VALVE, POPPET		0240-7400-110	1	CAST IRON
G13	CAPSCREW (3/8"-16 X 3/4"), VALVE		S01C375750WA2A2	8	STEEL
G14	GASKET, VALVE		0550-7900-950	2	INTERFACE TS-9003
G15	PLUG, PIPE 1-1/4" NPT, CARBON STEEL/ZINC PLATED		PLUG-125NSH-230	3	STEEL
H1	GLAND, PACKING		0240-8200-110	1	CAST IRON
	GLAND, PACKING (TYPE 9)		0240-8201-110	1	CAST IRON
H2	NUT (7/16"-14), PACKING GLAND		N04C438375WA2A2	2	STEEL
H3	CAPSCREW (7/16"-14), PACKING GLAND		S01C438B50CLOA1	2	STAINLESS STEEL
H4	TYPE 1, COMPONENT SEAL		0240-8000-900	1	BUNA-N
	TYPE 1, COMPONENT SEAL		0240-8000-910	1	FKM
	TYPE 9, COMPONENT SEAL		0240-8001-920	1	PTFE
H5	COLLAR, MECHANICAL SEAL ASSEMBLY		0240-8050-230	1	STEEL
H6	PACKING		0240-8100-925	1	PTFE - GRAPHITE
H7	WASHER, PACKING RETAINING		0240-8150-230	1	STEEL

PSG Grand Rapids
1809 Century Avenue SW
Grand Rapids, MI 49503 USA
P: +1 (616) 241-1611 • F: +1 (616) 241-3752
info@blackmer.com
blackmer.com



Where Innovation Flows

PSG® reserves the right to modify the information and illustrations contained in this document without prior notice. This is a non-contractual document. 05- 2018