

BLACKMER GEAR PUMP

PARTS LIST

MODELS: G1-24 and G1-32

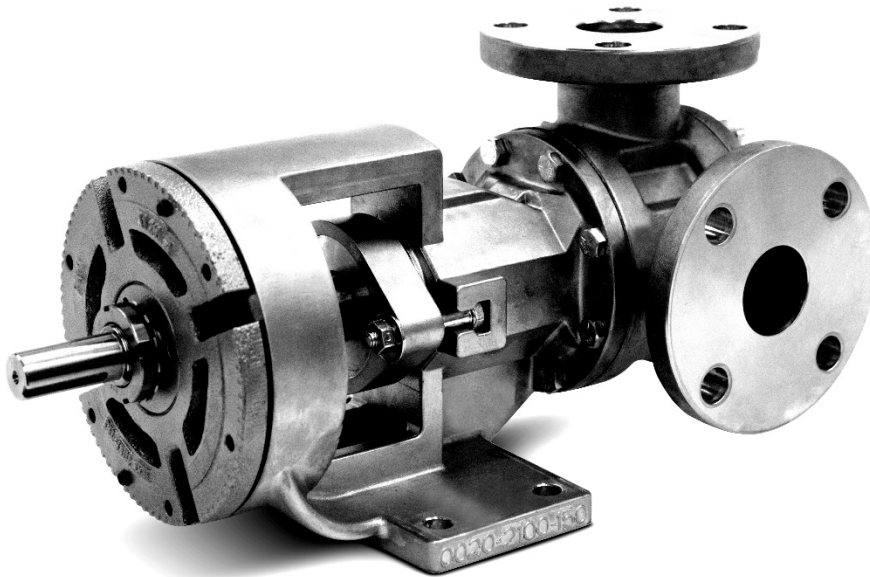
Keep with Instructions 1902-a00 for Installation, Operation and Maintenance

960715

INSTRUCTIONS NO. 1902-a02

Section	1902
Effective	October 2023
Replaces	October 2022

G Series Sealed Internal Gear Pumps



Where Innovation Flows

Blackmer

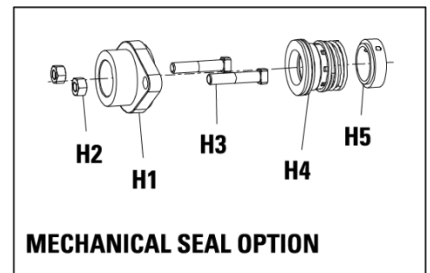
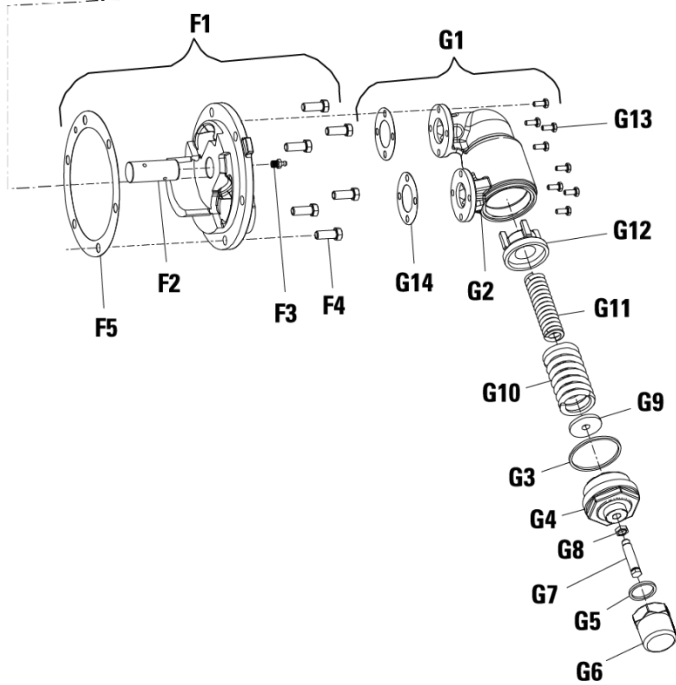
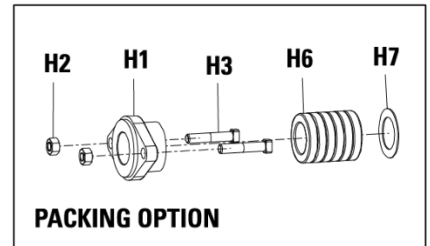
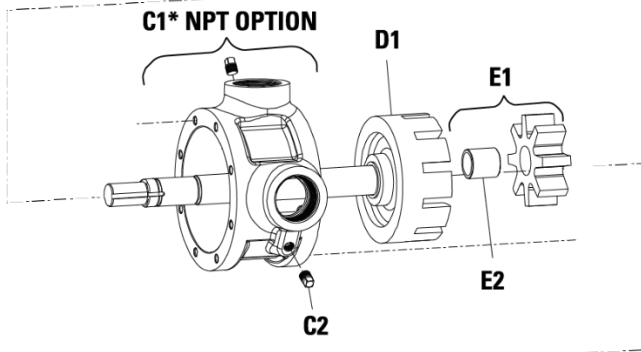
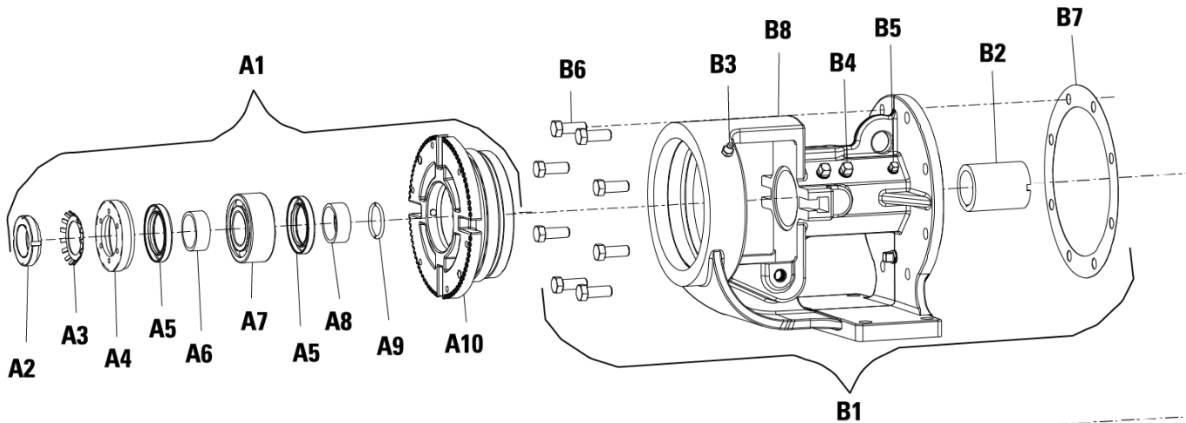
Always read the most current version of this manual before performing any work on or around this pump. The most current version of this manual is freely available on the web at www.blackmer.com

Blackmer pumps are specifically configured for your unique application conditions. Those application conditions and the details of the pump configuration were documented during the ordering process. Keep that information available in a safe place, as it may be needed when troubleshooting pump problems or when ordering spare parts or repairs.

Blackmer Gear Pumps are covered by one or more of the following patents: U.S. Patent Nos. 7549205, 7137793, 7183683, 8,608,465B2 Australian Patent No. AU2005233534B2; Korean Patent No. 10-2006-7023162; Mexican Patent No. PA/2006/011436, Russian Patent No. 2006138540(041952); China Patent No. ZL 201280031563.6; and other patents pending.

EXPLODED VIEW AND PARTS LISTING

G1-24 and G1-32



Parts Listing

CAST IRON

Item	Description	G1-24	G1-32	Qty.	Material
A1	HOUSING, BEARING ASSEMBLY (INCLUDES A2 THRU A13)	0240-1000-110		1	CAST IRON
A2	LOCKNUT, SHAFT	0240-1710-230		1	STEEL
A3	LOCKWASHER, SHAFT	0240-1720-230		1	STEEL
A4	ENDCAP, BEARING HOUSING	0240-1200-230		1	STEEL
A5	LIP SEAL, BEARING HOUSING	0240-1900-900		2	BUNA-N
A6	COLLAR, OUTER BEARING SPACER	0240-1300-230		1	STEEL
A7	BEARING	0240-1400-230		1	STEEL
A8	COLLAR, INNER BEARING SPACER	0240-1301-230		1	STEEL
A9	SEMI-ROUND RINGS	0240-1310-230		2	STEEL
A10	HOUSING, BEARING	0240-1100-110		1	CAST IRON
A11	SET SCREW (3/8"-16 X 1/2"), BEARING HOUSING (NOT SHOWN)	S57U375500WA6L7		2	STEEL
A12	SET SCREW (5/16"-18 X 5/16"), END CAP (NOT SHOWN)	S57U313313WA6L7		2	STEEL
A13	INSERT, BEARING HOUSING (NOT SHOWN)	0020-1790-400		2	NYLON
B1	BRACKET, ASSEMBLY (INCLUDES B2 THRU B8)	0240-2000-110		1	CAST IRON/CARBON GRAPHITE
		0240-2010-110		1	CAST IRON/BRONZE
B2	BUSHING, BRACKET	0240-2800-300		1	CARBON GRAPHITE
		0240-2800-320		1	BRONZE
B3	FITTING, GREASE (1/8" NPT)	GRSF-013NST-230		1	STEEL
B4	PLUG, PIPE (1/4" NPT)	PLUG-025NSH-230		3	STEEL
B5	PLUG, PIPE (1/8" NPT) (USED WITH LUBRICATED BUSHING)	PLUG-013NSH-230		1	STEEL
	FITTING, GREASE PIN (1/8" NPT) (USED WITH NON-LUBRICATED BUSHING)	GRSF-013NST-230		1	STEEL
B6	SCREWS (7/16"-14 X 1-1/8"), BRACKET	S01C438A12WA2A2		8	STEEL
B7	GASKET, BRACKET	0240-2900-950		1	INTERFACE TS-9003
B8	BRACKET	0240-2100-110		1	CAST IRON
C1	CASE, 2" NPT KIT (INCLUDES B6, B7, C2, F4, F5)	0240-3000-110		1	CAST IRON
C2	PLUG, PIPE (1/4" NPT)	PLUG-025NSH-230		2	STEEL
D1	ROTOR, ASSEMBLY (A/B CLEARANCE)	0240-4000-121	N/A	1	CAST IRON/STEEL
		N/A	0320-4000-120	1	DUCTILE IRON/STEEL
	ROTOR, ASSEMBLY (C CLEARANCE)	0240-4002-121	N/A	1	CAST IRON/STEEL
		N/A	0320-4002-120	1	DUCTILE IRON/STEEL
	ROTOR, ASSEMBLY (D CLEARANCE)	0240-4003-121	N/A	1	CAST IRON/STEEL
		N/A	0320-4003-120	1	DUCTILE IRON/STEEL
ROTOR, ASSEMBLY (E CLEARANCE)	0240-4004-130	0320-4004-130		STEEL	
E1	GEAR, IDLER ASSEMBLY	0240-5000-110	0320-5000-110	1	CAST IRON/CARBON GRAPHITE
		0240-5010-110	0320-5010-110	1	CAST IRON/BRONZE
E2	BUSHING, IDLER	0240-5800-300	0320-5800-300	1	CARBON GRAPHITE
		0240-5800-320	0320-5800-320	1	BRONZE
F1	HEAD, ASSEMBLY KIT (INCLUDES F2 THRU F5, G13, G14)	0240-6010-110	0320-6010-110	1	CAST IRON/STEEL
F2	PIN, IDLER	0240-6200-231	0320-6200-231	1	HARDENED STEEL
F3	PLUG, PIPE (1/8" NPT) (USED WITH LUBRICATED BUSHING)	PLUG-013NSH-230		1	STEEL
	FITTING, GREASE PIN (1/8" NPT) (USED WITH NON-LUBRICATED BUSHING)	GRSF-013NST-230		1	STEEL
F4	CAPSCREW (7/16"-14 X 1-1/8"), HEAD	S01C438A12WA2A2		6	STEEL
F5	GASKET, HEAD	0240-6900-950		1	INTERFACE TS-9003
G1	VALVE, COVER ASSEMBLY (INCLUDES G2, G13 AND G14)	0240-7000-230		1	STAINLESS STEEL/STEEL
	VALVE, ASSEMBLY-50 PSI (INCLUDES G2 THRU G14)	0240-7001-110		1	CAST IRON
	VALVE, ASSEMBLY-80 PSI (INCLUDES G2 THRU G14)	0240-7002-110		1	CAST IRON
	VALVE, ASSEMBLY-150 PSI (INCLUDES G2 THRU G14)	0240-7003-110		1	CAST IRON
	VALVE, ASSEMBLY-200 PSI (INCLUDES G2 THRU G14)	0240-7004-110		1	CAST IRON
G2	VALVE, BODY	0240-7100-110		1	CAST IRON
	VALVE, COVER (NOT SHOWN)	0240-7101-250		2	STAINLESS STEEL
G3	VALVE, GASKET BONNET	0240-7910-951		1	KLINGERSIL® C-4401

Item	Description	G1-24	G1-32	Qty.	Material
G4	VALVE, BONNET		0240-7200-110	1	CAST IRON
G5	VALVE, GASKET CAP		0240-7920-951	1	KLINGERSIL® C-4401
G6	VALVE, CAP		0240-7300-110	1	CAST IRON
G7	VALVE, ADJUSTMENT SCREW		0240-7700-230	1	STEEL
G8	VALVE, LOCK NUT		0240-7710-230	1	STEEL
G9	VALVE, SPRING GUIDE		0240-7500-230	1	STEEL
G10	VALVE, SPRING LARGE (USED WITH 150 & 200 PSI VALVES)		0240-7602-250	1	STAINLESS STEEL
G11	VALVE, SPRING SMALL (USED WITH 50 PSI VALVES)		0240-7600-250	1	STAINLESS STEEL
	VALVE, SPRING SMALL (USED WITH 80 & 200 PSI VALVES)		0240-7601-250	1	STAINLESS STEEL
G12	VALVE, POPPET		0240-7400-110	1	CAST IRON
G13	CAPSCREW (5/16"-18 X .625), VALVE		S01C312625WA2A2	8	STEEL
G14	GASKET, VALVE		0240-7900-950	2	INTERFACE TS-9003
H1	GLAND, PACKING		0240-8200-110	1	CAST IRON
	GLAND, PACKING (TYPE 9)		0240-8201-110	1	CAST IRON
H2	NUT (7/16"-14), PACKING GLAND		N04C438375WA2A2	2	STEEL
H3	CAPSCREW (7/16"-14), PACKING GLAND		S01C438B50CLOA1	2	STAINLESS STEEL
H4	TYPE 1, COMPONENT SEAL		0240-8000-900	1	BUNA-N
	TYPE 1, COMPONENT SEAL		0240-8000-910	1	FKM
	TYPE 9, COMPONENT SEAL		0240-8001-920	1	PTFE
H5	COLLAR, MECHANICAL SEAL ASSEMBLY		0240-8050-230	1	STEEL
H6	PACKING, KIT (INCLUDES H7)		0240-8100-925K	1	PTFE - GRAPHITE
H7	WASHER, PACKING RETAINING		0240-8150-230	1	STEEL

STAINLESS STEEL

Item	Description	G1-24	G1-32	Qty.	Material
A1	HOUSING, BEARING ASSEMBLY (INCLUDES A2 THRU A13)	0240-1000-110		1	CAST IRON
A2	LOCKNUT, SHAFT	0240-1710-230		1	STEEL
A3	LOCKWASHER, SHAFT	0240-1720-230		1	STEEL
A4	ENDCAP, BEARING HOUSING	0240-1200-230		1	STEEL
A5	LIP SEAL, BEARING HOUSING	0240-1900-900		2	BUNA-N
A6	COLLAR, OUTER BEARING SPACER	0240-1300-230		1	STEEL
A7	BEARING	0240-1400-230		1	STEEL
A8	COLLAR, INNER BEARING SPACER	0240-1301-230		1	STEEL
A9	SEMI-ROUND RINGS	0240-1310-230		2	STEEL
A10	HOUSING, BEARING	0240-1100-110		1	CAST IRON
A11	SET SCREW (3/8"-16 X 1/2"), BEARING HOUSING (NOT SHOWN)	S57U375500WA6L7		2	STEEL
A12	SET SCREW (5/16"-18 X 5/16"), END CAP (NOT SHOWN)	S57U313313WA6L7		2	STEEL
A13	INSERT, BEARING HOUSING (NOT SHOWN)	0020-1790-400		2	NYLON
B1	BRACKET, ASSEMBLY (INCLUDES B2 THRU B8)	0240-2000-150		1	STAINLESS STEEL/CARBON GRAPHITE
B2	BUSHING, BRACKET	0240-2800-300		1	CARBON GRAPHITE
B3	FITTING, GREASE (1/8" NPT)	GRSF-013NST-230		1	STEEL
B4	PLUG, PIPE (1/4" NPT)	PLUG-025NSH-250		3	STAINLESS STEEL
B5	PLUG, PIPE (1/8" NPT)	PLUG-013NSH-250		1	STAINLESS STEEL
B6	SCREWS (7/16"-14 X 1-1/8"), BRACKET	S01C438A12AA9A1		8	STAINLESS STEEL
B7	GASKET, BRACKET	0240-2900-950		1	INTERFACE TS-9003
B8	BRACKET	0240-2100-150		1	STAINLESS STEEL
C1	CASE, 2" ANSI KIT (INCLUDES B6, B7, C2, F4, F5)	0240-3001-150		1	STAINLESS STEEL
C2	PLUG, PIPE (1/4" NPT)	PLUG-025NSH-250		2	STAINLESS STEEL
D1	ROTOR, ASSEMBLY (A CLEARANCE)	0240-4000-155	0320-4000-155	1	STAINLESS STEEL
		0240-4000-176	0320-4000-176	1	NITRONIC 60/STAINLESS STEEL
	ROTOR, ASSEMBLY (B/C CLEARANCE)	0240-4002-155	0320-4002-155	1	STAINLESS STEEL
		0240-4002-176	0320-4002-176	1	NITRONIC 60/STAINLESS STEEL
	ROTOR, ASSEMBLY (D CLEARANCE)	0240-4003-155	0320-4003-155	1	STAINLESS STEEL
E1	GEAR, IDLER ASSEMBLY	0240-4003-176	0320-4003-176	1	NITRONIC 60/STAINLESS STEEL
		0240-5000-255	0320-5000-255	1	STAINLESS STEEL/CARBON GRAPHITE
E2	BUSHING, IDLER	0240-5000-276	0320-5000-276	1	NITRONIC 60/CARBON GRAPHITE
		0240-5801-300	0320-5801-300	1	CARBON GRAPHITE
F1	HEAD, ASSEMBLY KIT (INCLUDES F2, F4, F5, G13, G14)	0240-6010-150	0320-6010-150	1	STAINLESS/HARDENED STAINLESS
F2	PIN, IDLER	0240-6200-254	0320-6200-254	1	HARDENED STAINLESS STEEL
F4	CAPSCREW (7/16"-14 X 1-1/8"), HEAD	S01C438A12AA9A1		6	STAINLESS STEEL
F5	GASKET, HEAD	0240-6900-950		1	INTERFACE TS-9003
G1	VALVE, COVER ASSEMBLY (INCLUDES G2, G13 AND G14)	0240-7000-250		1	STAINLESS STEEL/STAINLESS STEEL
	VALVE, ASSEMBLY-50 PSI (INCLUDES G2 THRU G14)	0240-7001-150		1	STAINLESS STEEL
	VALVE, ASSEMBLY-80 PSI (INCLUDES G2 THRU G14)	0240-7002-150		1	STAINLESS STEEL
	VALVE, ASSEMBLY-150 PSI (INCLUDES G2 THRU G14)	0240-7003-150		1	STAINLESS STEEL
G2	VALVE, BODY	0240-7100-150		1	STAINLESS STEEL
	VALVE, COVER (NOT SHOWN)	0240-7101-250		2	STAINLESS STEEL
G3	VALVE, GASKET BONNET	0240-7910-951		1	KLINGERSIL® C-4401
G4	VALVE, BONNET	0240-7200-150		1	STAINLESS STEEL
G5	VALVE, GASKET CAP	0240-7920-951		1	KLINGERSIL® C-4401
G6	VALVE, CAP	0240-7300-150		1	STAINLESS STEEL
G7	VALVE, ADJUSTMENT SCREW	0240-7700-255		1	STAINLESS STEEL
G8	VALVE, LOCK NUT	0240-7710-255		1	STAINLESS STEEL
G9	VALVE, SPRING GUIDE	0240-7500-250		1	STAINLESS STEEL
G10	VALVE, SPRING LARGE (USED WITH 150 & 200 PSI VALVES)	0240-7602-250		1	STAINLESS STEEL
G11	VALVE, SPRING SMALL (USED WITH 50 PSI VALVES)	0240-7600-250		1	STAINLESS STEEL
	VALVE, SPRING SMALL (USED WITH 80 & 200 PSI VALVES)	0240-7601-250		1	STAINLESS STEEL
G12	VALVE, POPPET	0240-7400-150		1	STAINLESS STEEL
G13	CAPSCREW (5/16"-18 X .625), VALVE	S01C312625AA9A1		8	STAINLESS STEEL
G14	GASKET, VALVE	0240-7900-950		2	INTERFACE TS-9003
H1	GLAND, PACKING	0240-8201-150		1	STAINLESS STEEL
H2	NUT (7/16"-14), PACKING GLAND	N04C438375AA9A1		2	STAINLESS STEEL
H3	CAPSCREW (7/16"-14), PACKING GLAND	S01C438B50CLOA1		2	STAINLESS STEEL
H4	TYPE 9, COMPONENT SEAL	0240-8001-920		1	PTFE
H6	PACKING, KIT (INCLUDES H7)	0240-8100-925K		1	PTFE - GRAPHITE
H7	WASHER, PACKING RETAINING	0240-8150-250		1	STAINLESS STEEL

CARBON STEEL

Item	Description	G1-24	G1-32	Qty.	Material
A1	HOUSING, BEARING ASSEMBLY (INCLUDES A2 THRU A13)	0240-1000-110		1	CAST IRON
A2	LOCKNUT, SHAFT	0240-1710-230		1	STEEL
A3	LOCKWASHER, SHAFT	0240-1720-230		1	STEEL
A4	ENDCAP, BEARING HOUSING	0240-1200-230		1	STEEL
A5	LIP SEAL, BEARING HOUSING	0240-1900-900		2	BUNA-N
A6	COLLAR, OUTER BEARING SPACER	0240-1300-230		1	STEEL
A7	BEARING	0240-1400-230		1	STEEL
A8	COLLAR, INNER BEARING SPACER	0240-1301-230		1	STEEL
A9	SEMI-ROUND RINGS	0240-1310-230		2	STEEL
A10	HOUSING, BEARING	0240-1100-110		1	CAST IRON
A11	SET SCREW (3/8"-16 X 1/2"), BEARING HOUSING (NOT SHOWN)	S57U375500WA6L7		2	STEEL
A12	SET SCREW (5/16"-18 X 5/16"), END CAP (NOT SHOWN)	S57U313313WA6L7		2	STEEL
A13	INSERT, BEARING HOUSING (NOT SHOWN)	0020-1790-400		2	NYLON
B1	BRACKET, ASSEMBLY (INCLUDES B2 THRU B8)	0240-2000-130		1	CARBON STEEL/CARBON GRAPHITE
		0240-2010-130		1	CARBON STEEL/BRONZE
B2	BUSHING, BRACKET	0240-2800-300		1	CARBON GRAPHITE
		0240-2800-320		1	BRONZE
B3	FITTING, GREASE (1/8" NPT)	GRSF-013NST-230		1	STEEL
B4	PLUG, PIPE (1/4" NPT)	PLUG-025NSH-230		3	STEEL
B5	PLUG, PIPE (1/8" NPT) (USED WITH LUBRICATED BUSHING)	PLUG-013NSH-230		1	STEEL
	FITTING, GREASE PIN (1/8" NPT) (USED WITH NON-LUBRICATED BUSHING)	GRSF-013NST-230		1	STEEL
B6	SCREWS (7/16"-14 X 1-1/8"), BRACKET	S01C438A12WA2A2		8	STEEL
B7	GASKET, BRACKET	0240-2900-950		1	INTERFACE TS-9003
B8	BRACKET	0240-2100-130		1	CARBON STEEL
C1	CASE, 2" ANSI KIT (INCLUDES B6, B7, C2, F4, F5)	0240-3001-130		1	CARBON STEEL
C2	PLUG, PIPE (1/4" NPT)	PLUG-025NSH-230		2	STEEL
D1	ROTOR, ASSEMBLY (A/B/C CLEARANCE)	0240-4000-130	N/A	1	CARBON STEEL/STEEL
		N/A	0320-4000-130	1	CARBON STEEL/STEEL
	ROTOR, ASSEMBLY (D CLEARANCE)	0240-4003-130	N/A	1	CARBON STEEL/STEEL
		N/A	0320-4003-130	1	CARBON STEEL/STEEL
ROTOR, ASSEMBLY (E CLEARANCE)	0240-4004-130	0320-4004-130		CARBON STEEL/STEEL	
E1	GEAR, IDLER ASSEMBLY	0240-5000-110	0320-5000-110	1	CAST IRON/CARBON GRAPHITE
		0240-5010-110	0320-5010-110	1	CAST IRON/BRONZE
E2	BUSHING, IDLER	0240-5800-300	0320-5800-300	1	CARBON GRAPHITE
		0240-5800-320	0320-5800-320	1	BRONZE
F1	HEAD, ASSEMBLY KIT (INCLUDES F2 THRU F5, G13, G14)	0240-6010-130	0320-6010-130	1	CARBON STEEL/STEEL
F2	PIN, IDLER	0240-6200-231	0320-6200-231	1	HARDENED STEEL
F3	PLUG, PIPE (1/8" NPT) (USED WITH LUBRICATED BUSHING)	PLUG-013NSH-230		1	STEEL
	FITTING, GREASE PIN (1/8" NPT) (USED WITH NON-LUBRICATED BUSHING)	GRSF-013NST-230		1	STEEL
F4	CAPSCREW (7/16"-14 X 1-1/8"), HEAD	S01C438A12WA2A2		6	STEEL
F5	GASKET, HEAD	0240-6900-950		1	INTERFACE TS-9003
G1	VALVE, COVER ASSEMBLY (INCLUDES G2, G13 AND G14)	0240-7000-230		1	STAINLESS STEEL/STEEL
	VALVE, ASSEMBLY-50 PSI (INCLUDES G2 THRU G14)	0240-7001-130		1	CARBON STEEL
	VALVE, ASSEMBLY-80 PSI (INCLUDES G2 THRU G14)	0240-7002-130		1	CARBON STEEL
	VALVE, ASSEMBLY-150 PSI (INCLUDES G2 THRU G14)	0240-7003-130		1	CARBON STEEL
	VALVE, ASSEMBLY-200 PSI (INCLUDES G2 THRU G14)	0240-7004-130		1	CARBON STEEL
G2	VALVE, BODY	0240-7100-130		1	CARBON STEEL
	VALVE, COVER (NOT SHOWN)	0240-7101-250		2	STAINLESS STEEL
G3	VALVE, GASKET BONNET	0240-7910-951		1	KLINGERSIL® C-4401
G4	VALVE, BONNET	0240-7200-130		1	CARBON STEEL
G5	VALVE, GASKET CAP	0240-7920-951		1	KLINGERSIL® C-4401
G6	VALVE, CAP	0240-7300-110		1	CAST IRON
G7	VALVE, ADJUSTMENT SCREW	0240-7700-230		1	STEEL
G8	VALVE, LOCK NUT	0240-7710-230		1	STEEL
G9	VALVE, SPRING GUIDE	0240-7500-230		1	STEEL
G10	VALVE, SPRING LARGE (USED WITH 150 & 200 PSI VALVES)	0240-7602-250		1	STAINLESS STEEL
G11	VALVE, SPRING SMALL (USED WITH 50 PSI VALVES)	0240-7600-250		1	STAINLESS STEEL
	VALVE, SPRING SMALL (USED WITH 80 & 200 PSI VALVES)	0240-7601-250		1	STAINLESS STEEL
G12	VALVE, POPPET	0240-7400-110		1	CAST IRON
G13	CAPSCREW (5/16"-18 X .625), VALVE	S01C312625WA2A2		8	STEEL
G14	GASKET, VALVE	0240-7900-950		2	INTERFACE TS-9003
H1	GLAND, PACKING	0240-8200-110		1	CAST IRON
	GLAND, PACKING (TYPE 9)	0240-8201-110		1	CAST IRON
H2	NUT (7/16"-14), PACKING GLAND	N04C438375WA2A2		2	STEEL

Item	Description	G1-24	G1-32	Qty.	Material
H3	CAPSCREW (7/16"-14), PACKING GLAND		S01C438B50CL0A1	2	STAINLESS STEEL
H4	TYPE 1, COMPONENT SEAL		0240-8000-900	1	BUNA-N
	TYPE 1, COMPONENT SEAL		0240-8000-910	1	FKM
	TYPE 9, COMPONENT SEAL		0240-8001-920	1	PTFE
H5	COLLAR, MECHANICAL SEAL ASSEMBLY		0240-8050-230	1	STEEL
H6	PACKING, KIT (INCLUDES H7)		0240-8100-925K	1	PTFE - GRAPHITE
H7	WASHER, PACKING RETAINING		0240-8150-230	1	STEEL

PSG Grand Rapids
1809 Century Avenue SW
Grand Rapids, MI 49503 USA
P: +1 (616) 241-1611 • F: +1 (616) 241-3752
info@blackmer.com
blackmer.com



Where Innovation Flows

PSG® reserves the right to modify the information and illustrations contained in this document without prior notice. This is a non-contractual document. 05-2018