

BLACKMER PARTS LIST

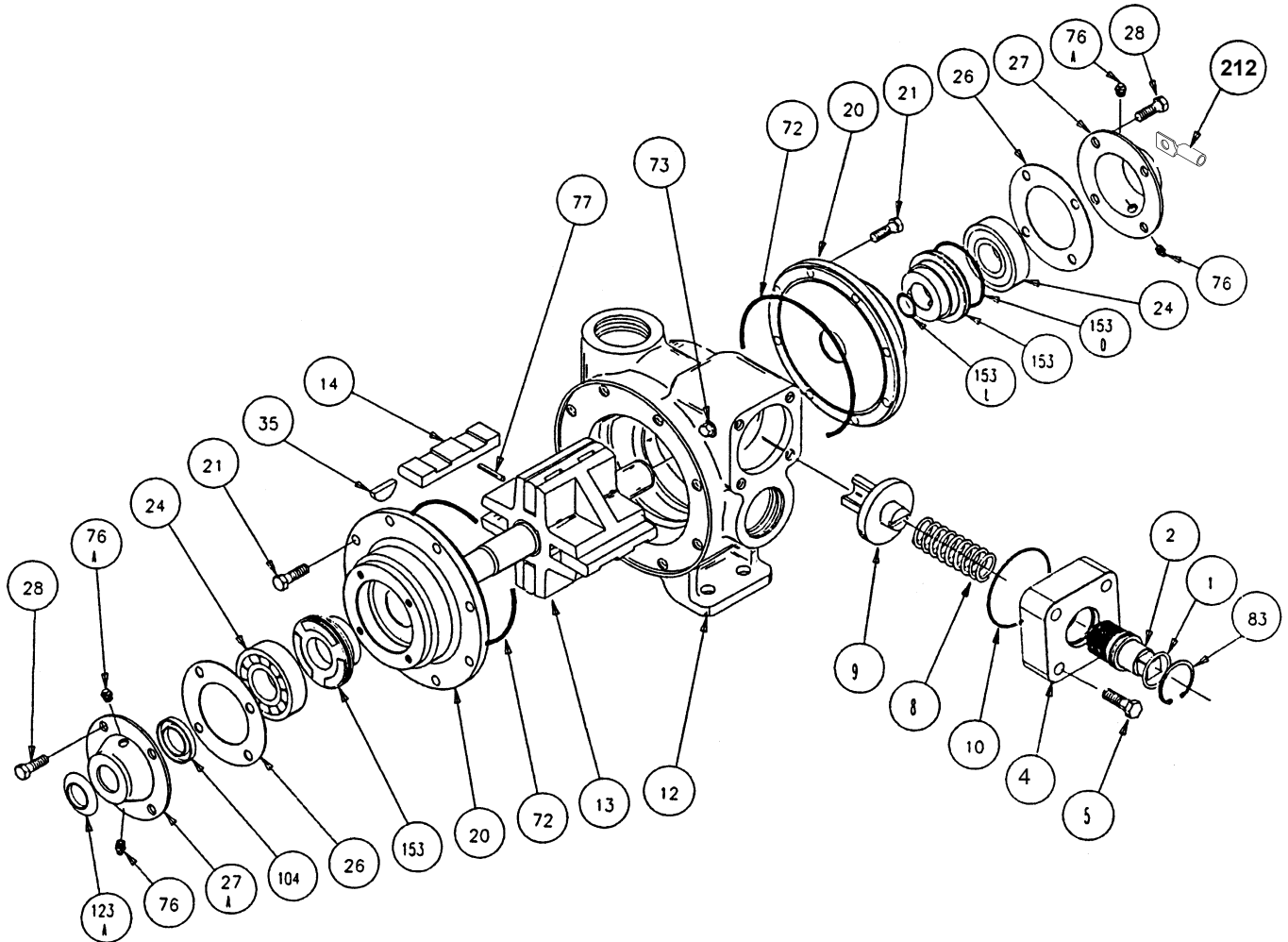
PUMP MODEL: TXU1.5 UL® LISTED

(See Instructions 1701-B00 for Installation, Operation and Maintenance)

960231
Page 1 of 2

PARTS LIST
1701-B01

Section	1701
Effective	February 2004
Replaces	OEM/C1 July 1999



Ref. No.	Description	Parts Per Pump	Part No.	Ref. No.	Description	Parts Per Pump	Part No.
1	O-ring - Adjuster	1	702173	27	Bearing Cover – Outboard	1	041433
2	Adjuster – R/V	1	431402	27A	Bearing Cover – Inboard	1	041431
4	Cover – R/V	1	413078	28	Capscrews – Bearing Cover	8	920285
5	Capscrew – R/V Cover	4	920381	35	Key – Shaft	1	909130
8	Spring – R/V (36-50 psi)	1	471415	72	O-Ring – Head (Buna-N)	2	702164
9	Valve – R/V	1	451416	73	Gage Plug	2	908198
10	O-Ring – R/V Cover (Buna-N)	1	702163	76	Grease Fitting	2	317815
12	Cylinder	1	021203	76A	Grease Relief Fitting	2	701992
13	Rotor & Shaft	1	261205	77	Push Rod	2	123305
14	Vane – Duravane	4	091219	83	Snap Ring	1	903626
20	Head	2	031207	104	Grease Seal	1	331918
21	Capscrews – Head	16	920331	123A	Dirt Shield	1	701480
24	Ball Bearing	2	903156	153	Mechanical Seal	2	See Backside
26	Gasket- Bearing Cover	2	381406	212	Grounding Lug	1	927016

Keep this parts list with Installation, Operation and Maintenance Instructions.

MECHANICAL SEAL

Ref. No.	Part Name	Parts Per Pump	Part No.
153	Mechanical Seal Complete Cast Iron Stationary Seat, Carbon Seal Face, Buna-N O-Rings. (INCN)	2	331404
153D	O-Ring - Stationary (Buna-N)	2	702053
153L	O-Ring - Rotating (Buna-N)	2	702162

