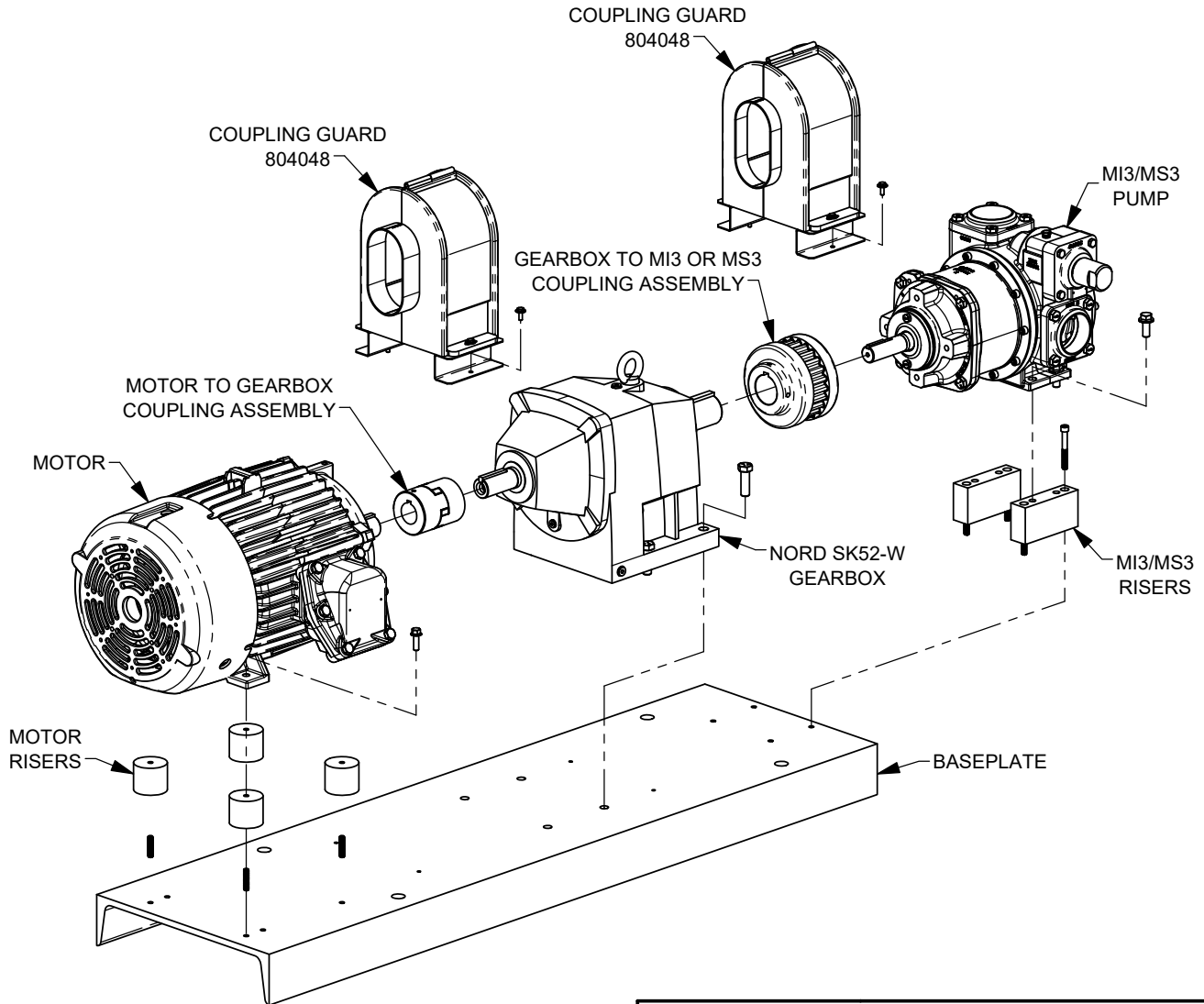




TYPE	SIZE	UNIT STYLE
MI3/ MS3	3	SK52

PARTS LIST 110-046	
Section Effective Replaces Page 1 / 1	110 APRIL 2021 NEW

RIGHT HAND ROTATION. FOR LEFT HAND ROTATION, SHAFT PROJECTION IS OPPOSITE THAT SHOWN.



NORD SK52-W GEARBOX PART NUMBERS				BASEPLATE ASSEMBLY PART NUMBERS		
RATIO	INPUT/OUTPUT	PART NUMBER	WEIGHT	MOTOR FRAMES	BASEPLATE ASSEMBLY	
2.78:1	1750/629 RPM	812700	207	213T/215T	901480	
3.23:1	1750/542 RPM	812701	207	254T/256T	901481	
3.40:1	1750/515 RPM	812702	207	284T/286T	901482	
3.67:1	1750/477 RPM	812703	207	324T/326T	901483	
4.08:1	1750/429 RPM	812704	207	INCLUDED IN ASSY: MOTOR RISERS & RELATED FASTENERS, GEARBOX FASTENERS, PUMP RISERS & RELATED FASTENERS		
4.38:1	1750/400 RPM	812705	207	COUPLING ASSEMBLY PART NUMBERS		
4.61:1	1750/380 RPM	812706	207	MOTOR FRAMES	MOTOR TO GEARBOX COUPLING ASSY	GEARBOX TO MI3 OR MS3 COUPLING ASSY
5.08:1	1750/344 RPM	812707	207	213T/215T	906015	906019
5.60:1	1750/313 RPM	812708	207	254T/256T	906016	906019
5.79:1	1750/302 RPM	812709	207	284T/286T	906017	906019
6.09:1	1750/287 RPM	812710	207	324T/326T	906018	906019
6.42:1	1750/273 RPM	812711	207			