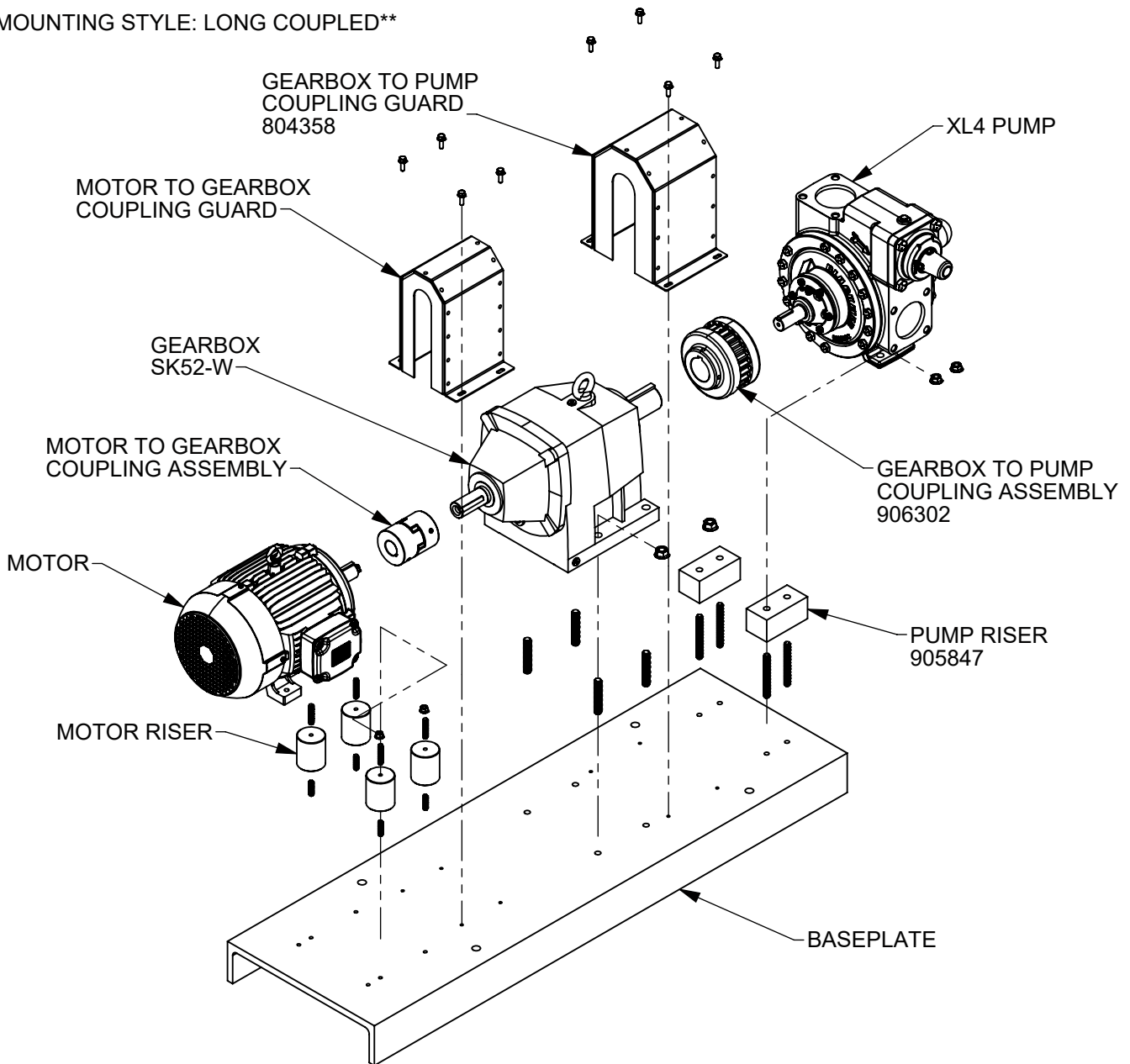




TYPE	SIZE	UNIT STYLE	DIMENSIONS 107-H13	
			Section Effective Replaces Page 1 / 1	107 Dec 2023 Sept 2023
XL	4	SK52W		

RIGHT HAND ROTATION SHOWN. FOR LEFT HAND ROTATION, SHAFT IS OPPOSITE THAT SHOWN.

MOUNTING STYLE: LONG COUPLED



NORD SK52-W GEARBOX PART NUMBERS			BASEPLATE AND MOTOR RISER PART NUMBERS		
RATIO	SPEEDS 60Hz/50Hz	PART NUMBER	MOTOR FRAME	BASEPLATE	MOTOR RISER
2.78:1	629 RPM / 522 RPM	812700	213T/215T	901461	905848
3.23:1	542 RPM / 449 RPM	812701	254T/256T	901463	905849
3.40:1	515 RPM / 426 RPM	812702	284T/286T	901464	905850
3.67:1	477 RPM / 395 RPM	812703	COUPLING AND GUARD PART NUMBERS		
4.08:1	429 RPM / 355 RPM	812704			
4.38:1	400 RPM / 331 RPM	812705	MOTOR FRAME	MOTOR TO GEARBOX COUPLING ASSY	MOTOR TO GEARBOX COUPLING GUARD
4.61:1	380 RPM / 315 RPM	812706			
5.08:1	344 RPM / 285 RPM	812707			
5.60:1	313 RPM / 259 RPM	812708			
5.79:1	302 RPM / 250 RPM	812709			
6.09:1	287 RPM / 238 RPM	812710			
6.42:1	273 RPM / 226 RPM	812711	213T/215T	906314	804323
			254T/256T	906319	804323
			284T/286T	906320	804332