

BLACKMER PARTS LIST

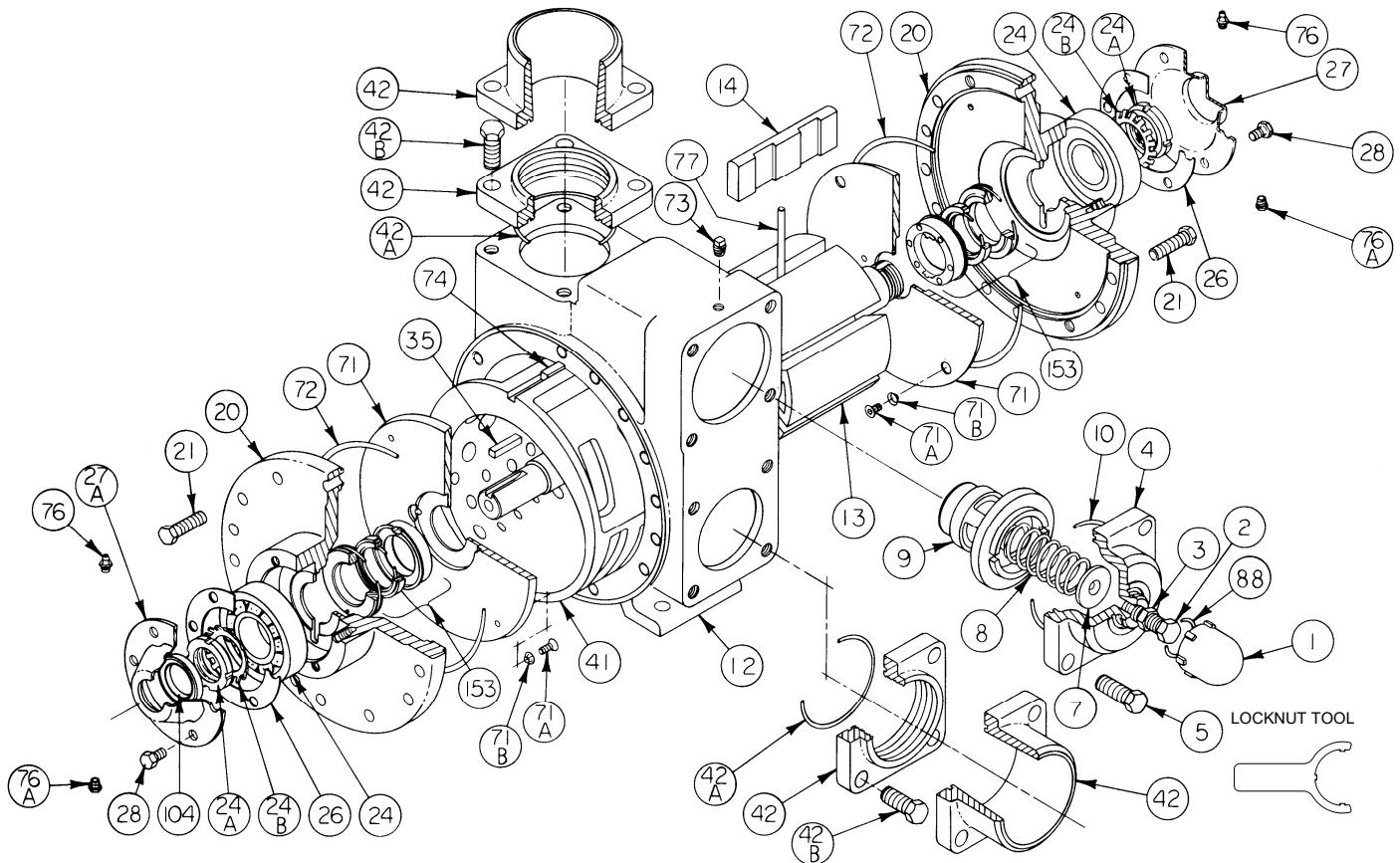
MODEL: XL4C

962101
Page 1 of 2

PARTS LIST
107-B03

Keep with Instructions 107-B00 for Installation, Operation and Maintenance

Section 107
Effective Oct 2019
Replaces Sep 2011



Ref. No.	Description	Parts per Pump	Part No.	Ref. No.	Description	Parts per Pump	Part No.
1	Cap - Relief Valve (R/V)	1	413957	27	Bearing Cover - Outboard	1	041817
2	Adjusting Screw - R/V	1	436310	27A	Bearing Cover - Inboard	1	041815
3	Locknut - Adjusting Screw	1	432039	28	Capscrews - Bearing Cover	12	920285
4	Cover - R/V	1	412001	35	Key - Shaft	1	¹ 909183
5	Capscrew - R/V Cover	4	920663	41	Liner	1	² 182000
7	Spring Guide - R/V	1	426355	42-42B	Flanges		See Back
8	Spring - R/V (51 - 75 psi)	1	472009	71	Disc	2	² 062039
	Spring - R/V (76 - 125 psi)		472039	71A	Machine Screw - Disc	8	² 920015
	Spring - R/V (126 - 150 psi)		472039	71B	Lockwasher - Machine Screw	8	² 909634
9	Valve - R/V	1	452001	72	O-Ring - Head (FKM)	2	¹ 702106
10	O-Ring - R/V Cover (FKM)	1	¹ 711909		O-Ring - Head (PTFE)		702089
	O-Ring - R/V Cover (PTFE)		702099		O-Ring - Head (Buna)		702039
	O-Ring - R/V Cover (Buna)		701946	73	Gage Plug	2	908198
12	Casing	1	012019	74	Key - Liner	1	² 182040
13	Rotor & Shaft Assembly	1	² 262023	76	Grease Fitting	2	317815
	EC Rotor & Shaft Assembly		262017	76A	Grease Relief Fitting	2	701992
	(Both Include Ref. Nos. 24A & 24B)			77	Push Rods	3	¹ 122005
14	Vane - Duravane	6	¹ 092019	88	O-Ring - R/V Cap (FKM)	1	¹ 702116
	Vane - EC Laminate		092029		O-Ring - R/V Cap (PTFE)		702100
20	Head	2	032041		O-Ring - R/V Cap (Buna)		701926
21	Capscrews - Head	28	920532	104	Grease Seal	1	¹ 331908
24	Ball Bearing	2	¹ 903172		Tool - Locknut		903092
24A	Locknut - Bearing	2	² 903541		Kit - Maintenance		898965
24B	Lockwasher - Bearing	2	¹ 903542		Kit - Rebuild		899065
26	Gasket - Bearing Cover	2	¹ 385125				

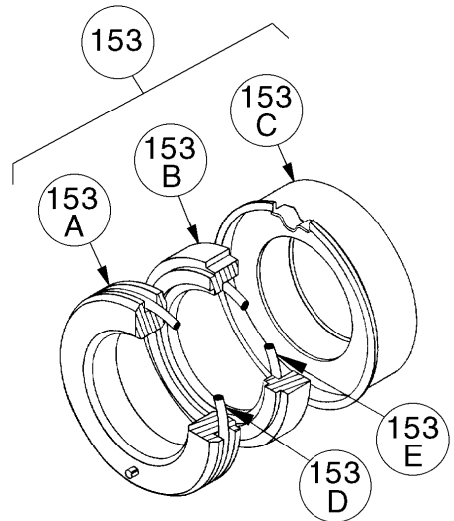
¹ Included in Maintenance Kit and Rebuild Kit

² Included in Rebuild Kit

EC = Extra Clearance

MECHANICAL SEALS

Ref. No.	Part Name	Parts Per Pump	Part No.
153	Mechanical Seal Complete - Hardened Steel Stationary Seat, Carbon Seal Face, FKM O-Rings. (SVCV)	2	1 332054
	Mechanical Seal Complete - Hardened Steel Stationary Seat, PTFE O-Ring, Carbon Seal Face w/ PTFE Seal Ring. (SACT)		332073
	Mechanical Seal Complete - Silicon Carbide Stationary Seat, PTFE O-Ring, Carbon Seal Face w/ PTFE Seal Ring. (LACT)		332049
	Mechanical Seal Complete - Silicon Carbide Stationary Seat, Carbon Seal Face, FKM O-Rings. (LVCV)		332048
	Mechanical Seal Complete - Hardened Steel Stationary Seat, Carbon Seal Face, Buna O-Rings. (SNCN)		332050
153A	Stationary Seat (Hardened Steel) Stationary Seat (Silicon Carbide)	2	** **
153B	Rotating Seal Face (Carbon)	2	**
153C	Jacket Assembly	2	**
153D	O-Ring - Stationary (FKM)	2	701921
	O-Ring - Stationary (PTFE)		702056
	O-Ring - Stationary (Buna)		701934
153E	O-Ring - Rotating (FKM)	2	701962
	Seal Ring - Rotating (PTFE)		701963
	Seal Ring - Rotating (Buna)		711912



¹ Included in Maintenance Kit and Rebuild Kit

** Mechanical Seal Ref. No. 153 is only sold as a complete assembly.
Ref. Nos. 153A, 153B & 153C are not available as separate replacement parts.

FLANGES

Ref. No.	Part Name	Parts Per Pump	Part No.
42	Flange - 3" NPT	1 - 2	652012
	Flange - 3" Weld		652007
	Flange - 4" Weld		652005
42A	O-Ring - Flange (FKM)	2	1 701968
	O-Ring - Flange (PTFE)		702101
	O-Ring - Flange (Buna)		701937
42B	Capscrews - Weld Flange	8	920640
	Capscrews - NPT Flange		920663

¹ Included in Maintenance Kit and Rebuild Kit

