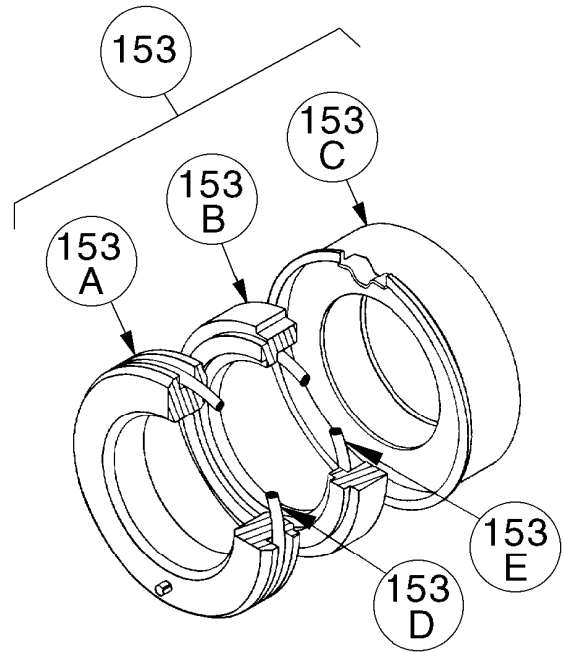




**MECHANICAL SEALS**

Ref. No.	Part Name	Parts Per Pump	Part No.
153	Mechanical Seal Complete – Hardened Steel Stationary Seat, Carbon Seal Face, FKM O-Rings. (SVCV)	2	<sup>1</sup> 331656
	Mechanical Seal Complete – Hardened Steel Stationary Seat, Carbon Seal Face, PTFE O-Ring & Seal Ring. (SACT)		333991
	Mechanical Seal Complete – Silicon Carbide Stationary Seat, Carbon Seal Face PTFE O-Ring & Seal Ring. (LACT)		334492
	Mechanical Seal Complete – Silicon Carbide Stationary Seat, Carbon Seal Face, FKM O-Rings. (LVCV)		334491
	Mechanical Seal Complete – Hardened Steel Stationary Seat, Carbon Seal Face, Buna O-Rings. (SNCN)		334439
153A#	Stationary Seat (Hardened Steel) Stationary Seat (Silicon Carbide)	2	--- ---
153B#	Rotating Seal Face (Carbon)	2	---
153C#	Jacket Assembly	2	331651
153D	O-Ring – Stationary (FKM)	2	701970
	O-Ring – Stationary (PTFE)		702084
	O-Ring – Stationary (Buna)		711924
153E	O-Ring – Rotating (FKM)	2	701980
	Seal Ring – Rotating (PTFE)		711963
	O-Ring – Rotating (Buna)		711912



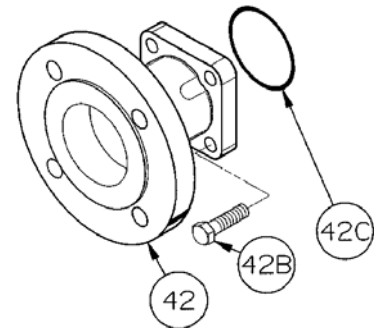
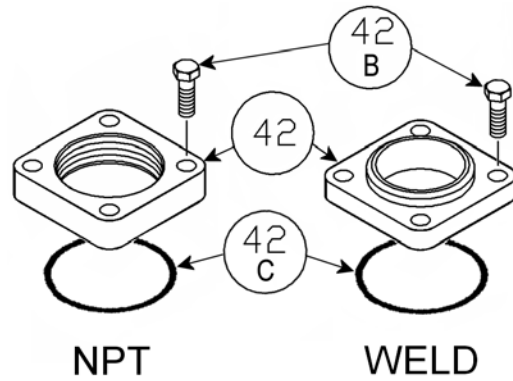
<sup>1</sup> Included in Maintenance Kit and Rebuild Kit

# These components are included in the complete mechanical seal assemblies (Ref. No. 153), and are NOT available as replacement parts. Consult factory.

**FLANGE OPTIONS**

Ref. No.	Part Name	Parts Per Pump	Part No.
42	Flange - NPT	1-2	654401
	Flange - Weld		654405
	Flange – ANSI 2" 150 lb. R.F.		651417
42C	O-Ring Flange (FKM)	2	<sup>1</sup> 702086
	O-Ring - Flange (PTFE)		702078
	O-Ring - Flange (Buna)		702004
42B	Capscrew- NPT Flange	8	920384
	Capscrew – Weld/ANSI Flange		920351

<sup>1</sup> Included in Maintenance Kit and Rebuild Kit



ANSI FLANGE

